

DANCOVER[®]



Manual
for
Ventilation Window for
Greenhouse STRONG and
TITAN Arch 60

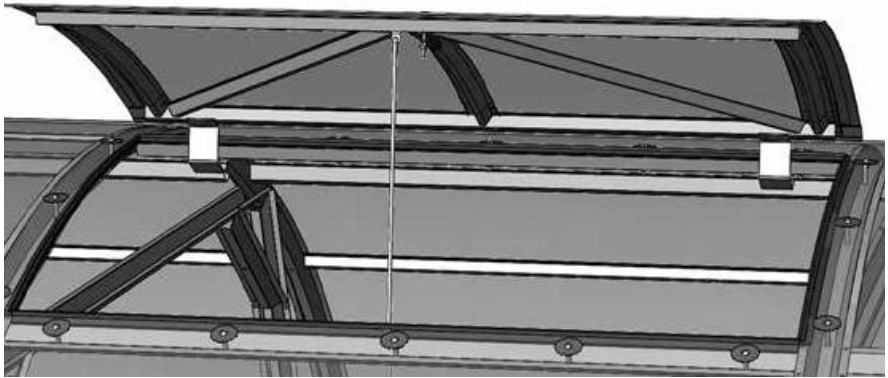























Table 1 Detailed parts list				
marking		name	length, mm	quantity, pcs
1-st package /frame parts/				
1		Horizontal	916	2
2		Arc	464	3
3		Diagonal	590	2
		Hook	398	1
		Vertical cleat	505	2
		Horizontal cleat	978	2
		Opening seal	951	2
			575	2
2-nd package /fasteners/				
		Locking tube		1
		Bracket		1
		Washer		17
		Screw M4x8		29
		Screw M4x10		22
		Screw M4x35		16
		Screw M4x50		1
		Screw M5x45		2
		Nut M4		77
		Lock nut M5		2
		Top hinge		2
		Bottom hinge		2
		Chain	733	1
		Scotch tape		1

Description



Perform assembling and operation of the small window in strict accordance with the manual and operating rules stated in the technical certificate. Please keep this technical certificate for further reference.

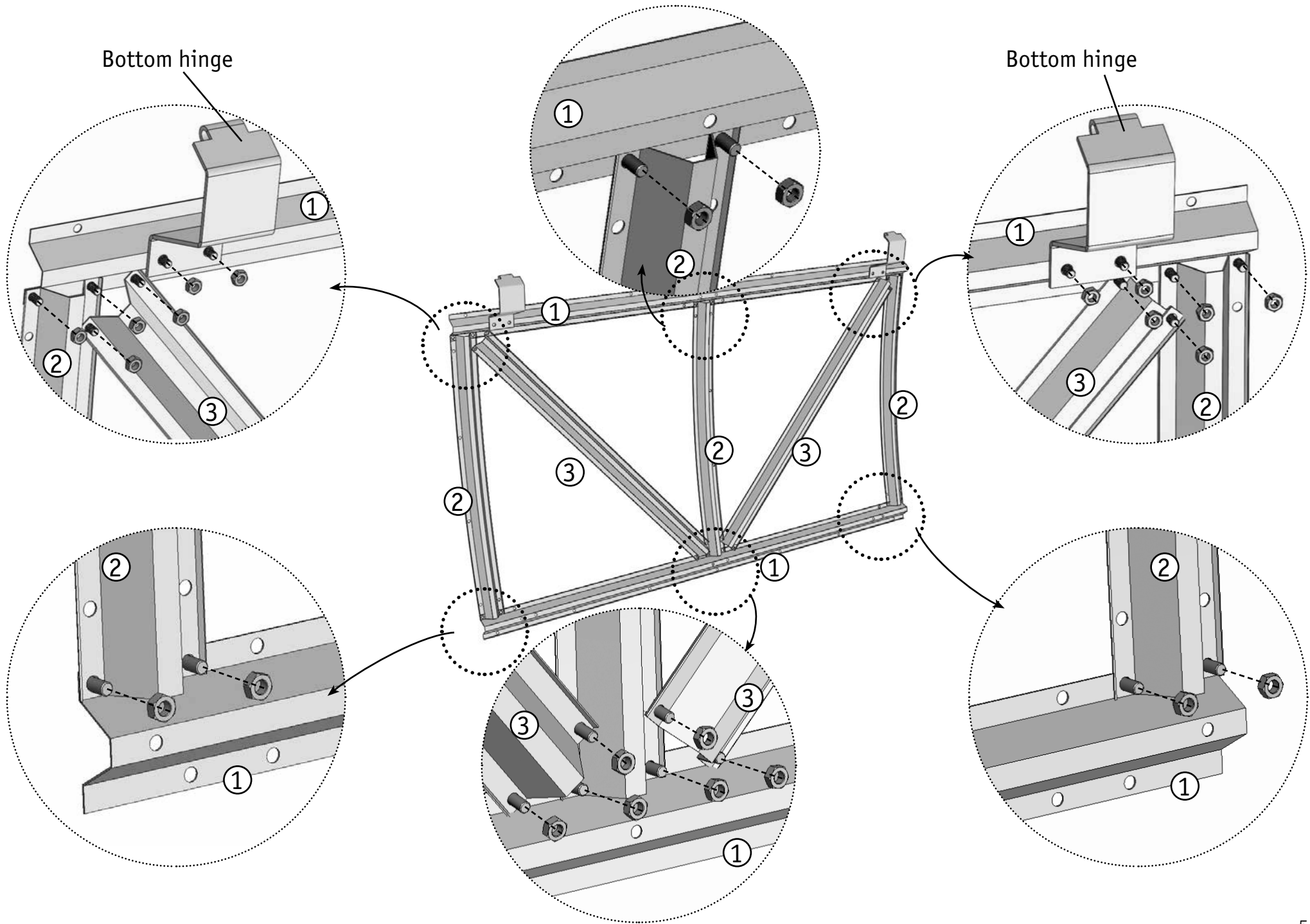
The small window is designed to ventilate greenhouses. It is installed only in the greenhouses «STRONG» and «TITAN Arch 60». The frame of the small window is made of galvanized steel and is to be assembled with screws and nuts. The covering of the small window is provided by polycarbonate, remaining from the greenhouse covering. The small window kit includes all the necessary fastening elements.

Warranty liabilities

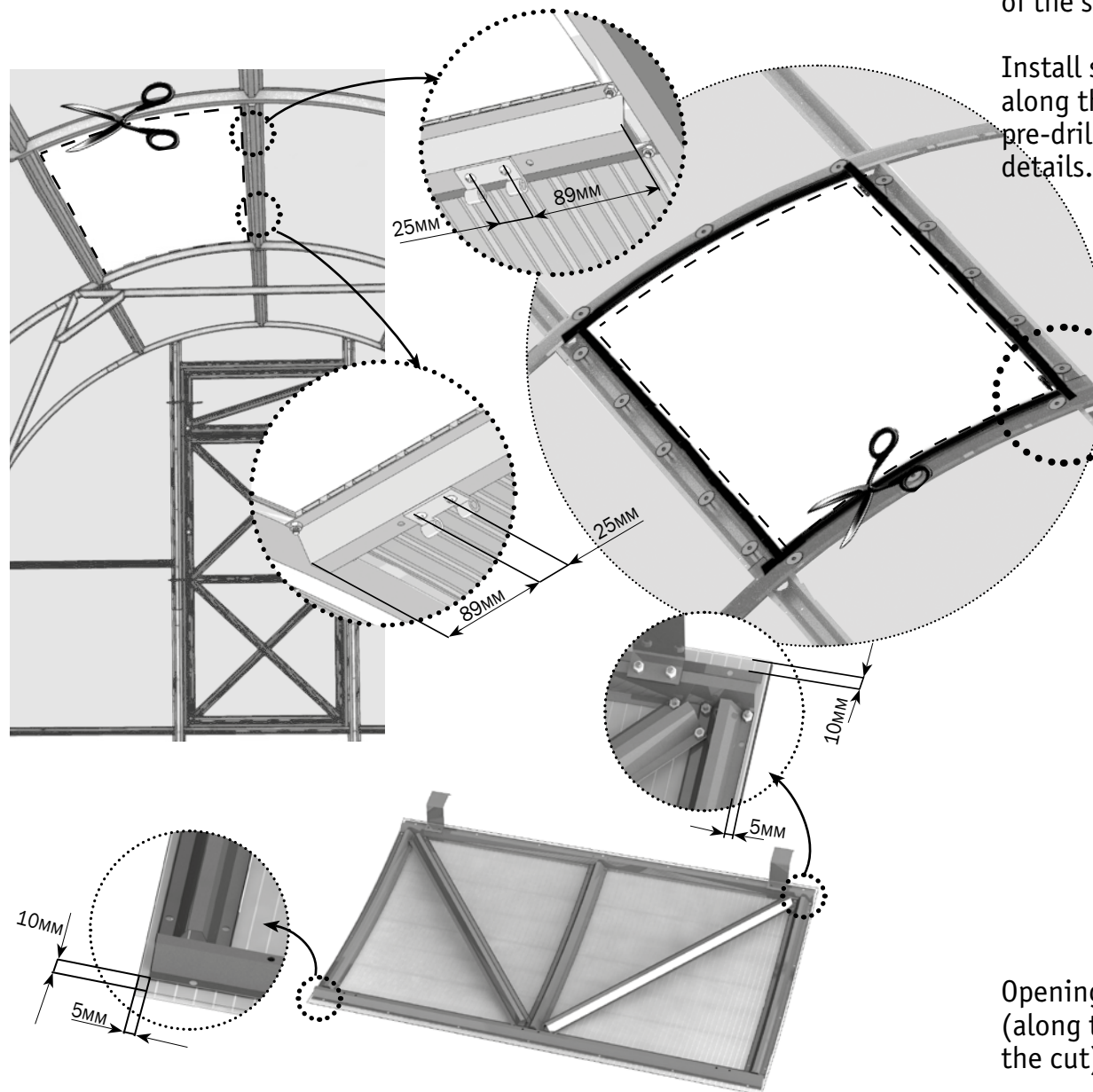
1. The manufacturer bears responsibility for the complete setup.
2. The manufacturer bears responsibility for the small window assemblability in accordance with the manual.
3. Claim presentation period is 12 months from the date of purchase.

Warranty conditions

- Warranty liabilities do not apply to cases of:
1. the small window installation with violation of requirements of the manual.
 2. violation of the rules of operation.
 3. floods, hurricanes and other natural disasters.



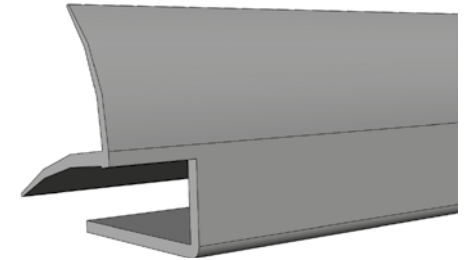
In the top runner drill holes 4 on the presented dimensions and install top hinges. Cut polycarbonate on the inner contour of the frame opening.



Put a cut piece of polycarbonate on window and cut along the contour of the small window frame, keeping indentations.

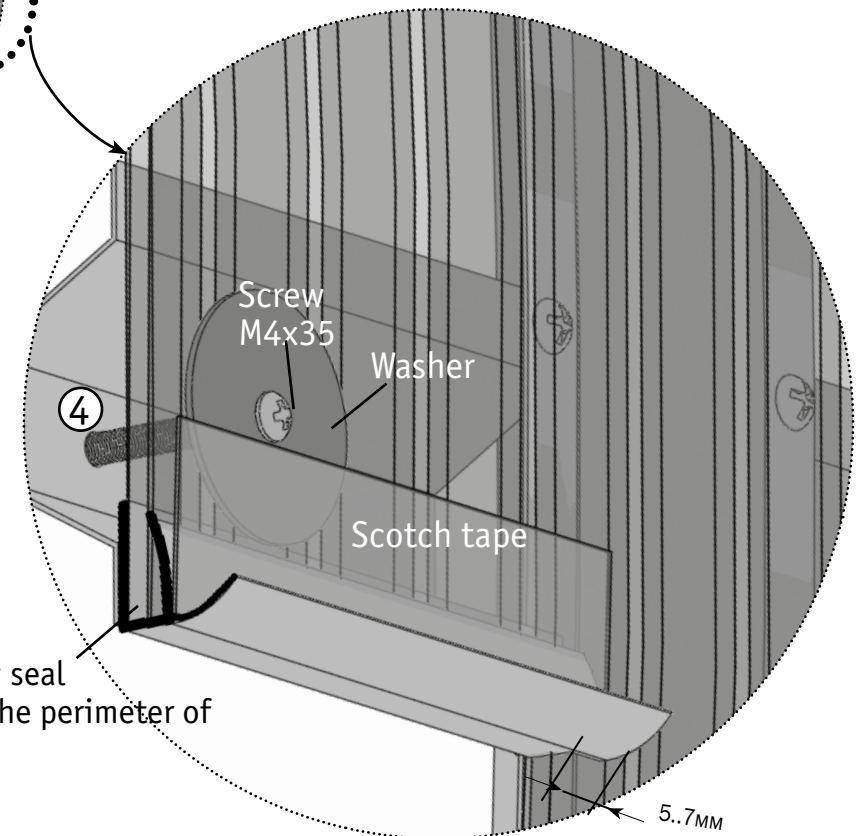
Place the seal on the contour of the cut, putting it on a cut of polycarbonate. The edges of the top seal need to be released outside the cut-out contour to drain the rain water. To do this, cut off the part of the seal from both ends

Install screws with washers along the perimeter of the cut, pre-drilling holes in the opening details.

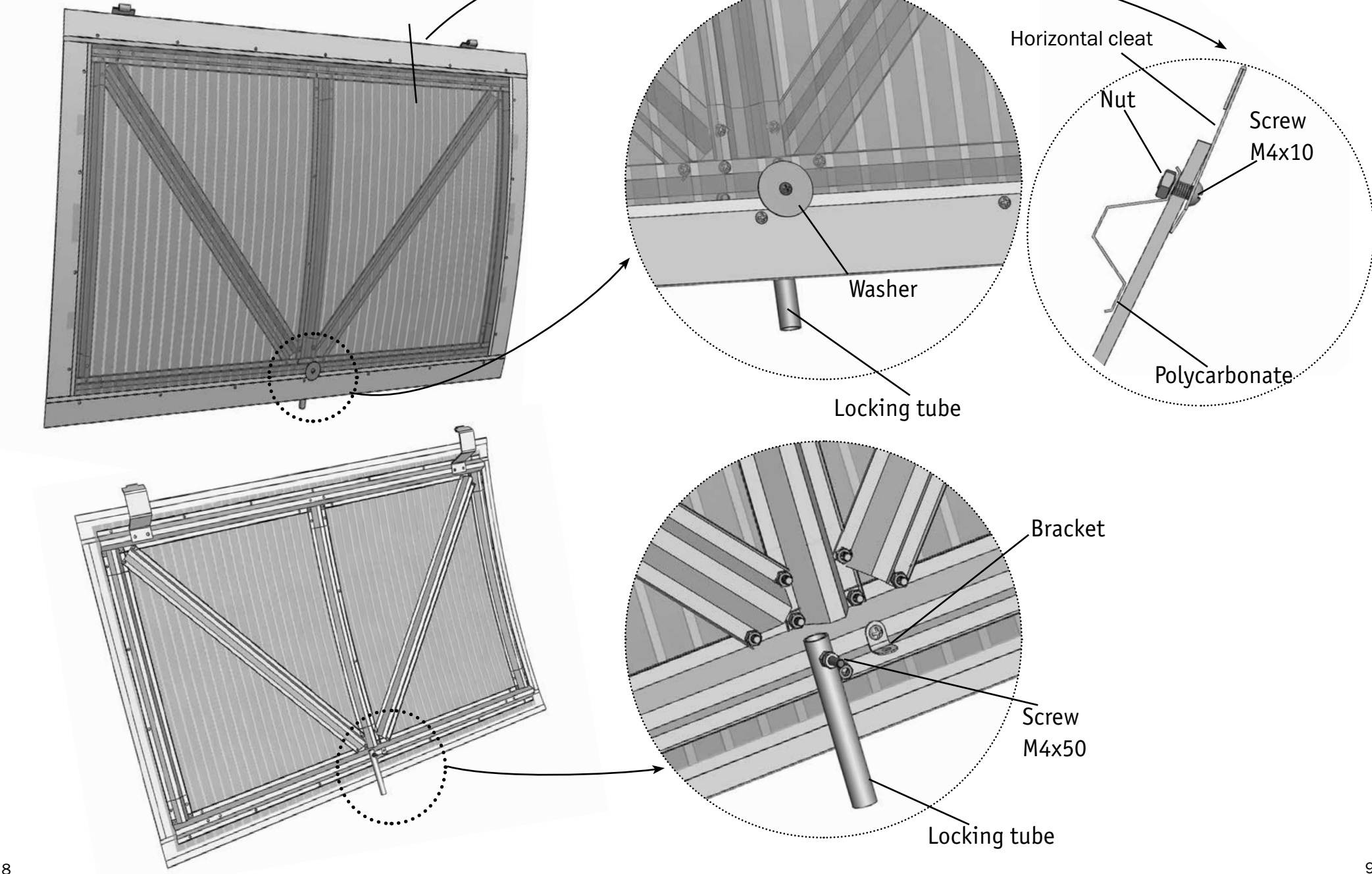


On top of the seal edges, adjoining to the polycarbonate outside, stick the Scotch tape.

Opening seal (along the perimeter of the cut)

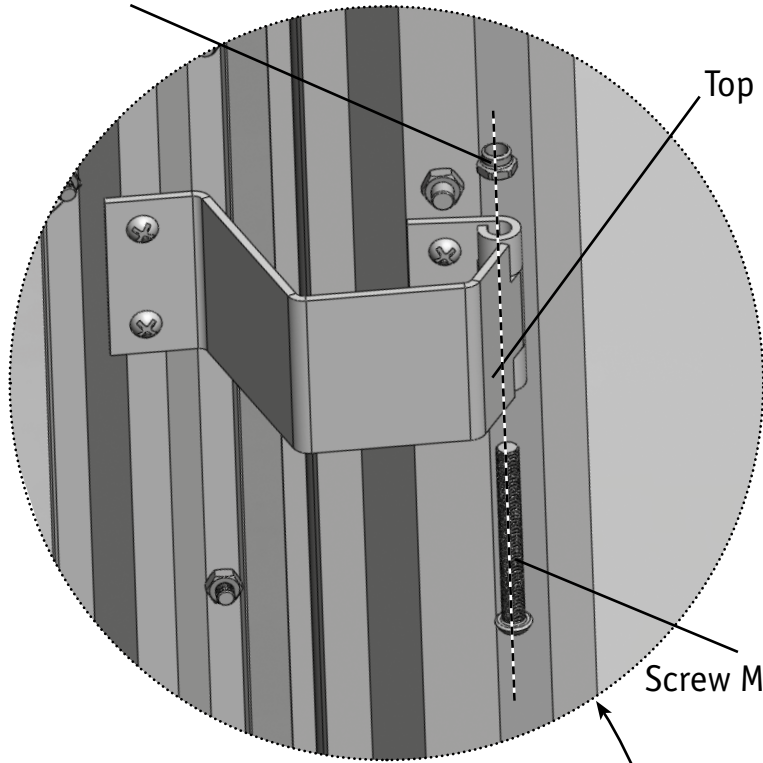


Install the vertical and horizontal cleats on the polycarbonate of the small window.



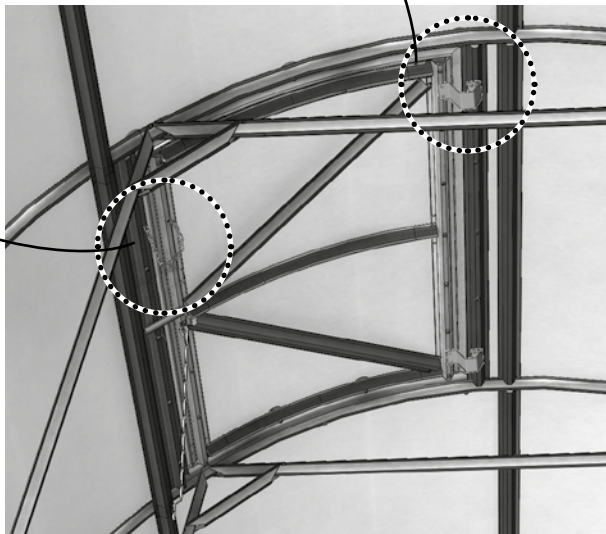
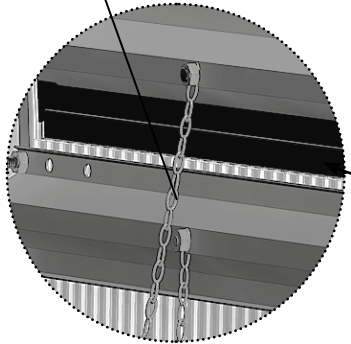
Lock nut M5

Top hinge



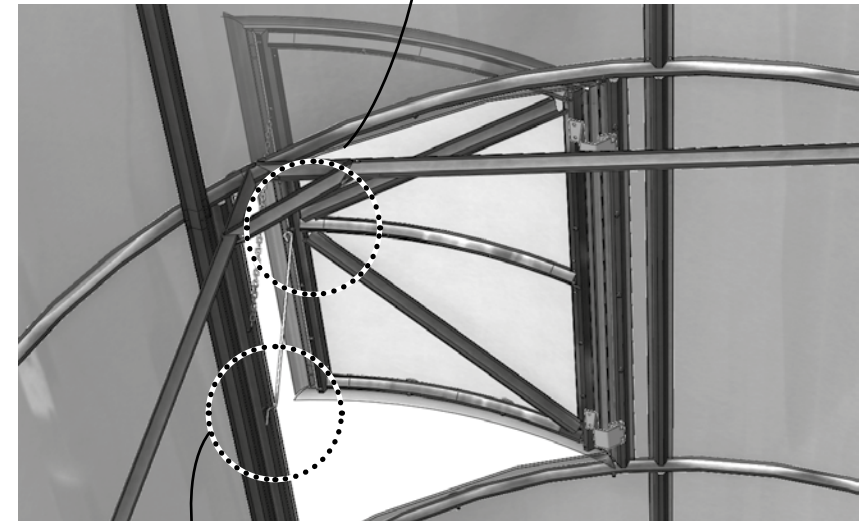
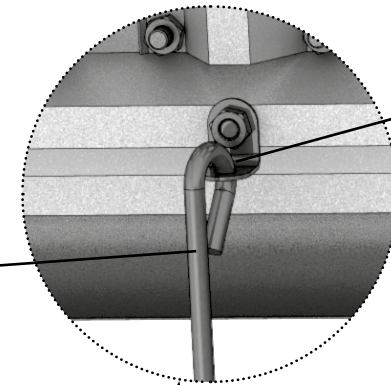
Screw M5x45

The chain is fastened on screws and keeps the small window at gusts of wind.



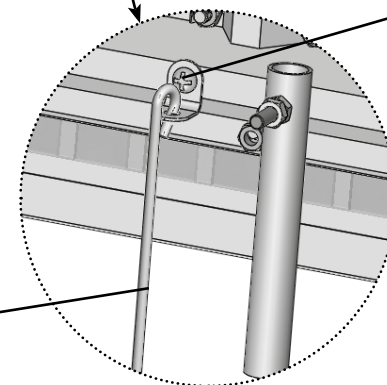
Bracket

Hook



Bracket

Hook



Contact information

Austria



Belgium



Croatia



Denmark



Estonia



Finland



France



Germany



Ireland



Italy



Latvia



Lithuania



Nederland



Norway



Poland



Portugal



Spain



Sweden



Switzerland



UK

