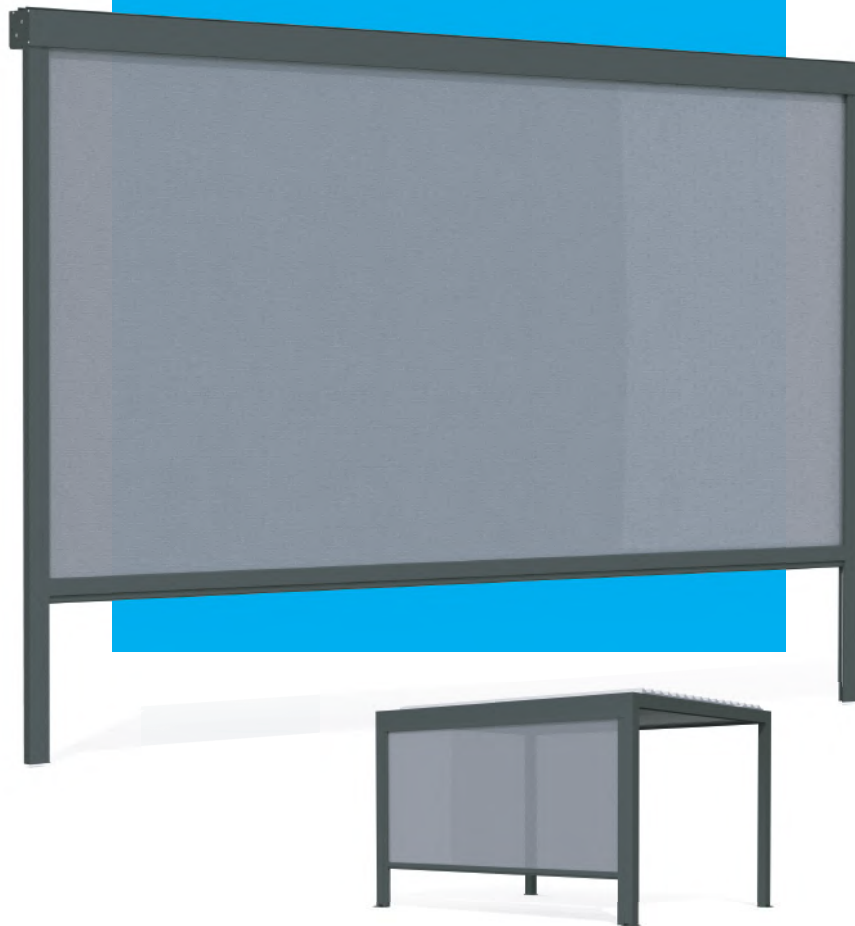


# CosyLifeStyle®

Manual  
for  
Sidewall screen for  
Pergola Gazebo Génova  
3m and 4m

# Assembly Manual

## PERGOLA GÉNOVA SIDEWALL SCREEN



# INDEX

## **Before Starting**

Tools needed for assembly

Content list

Safety precautions

## **Assembly**

1. Planning
2. Fixing the cassette
3. Testing the electronic device
4. Installation of the lateral guides
5. Tightening of the screen
6. Fine-tuning of the screen action
7. Testing the installation

## **Tips & maintenance**

# Before Starting

The installation needs to be carried out by at least two people.

**DO NOT REMOVE THE PROTECTIONS UNTIL THE INSTALLATION HAS BEEN COMPLETED.**

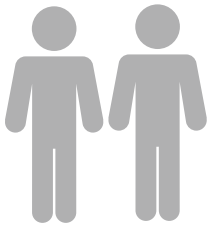
Before starting the assembly, check that all parts are included in the box. The screws for fixing the vertical screen to the frame of our pergolas are included. Consult your local supplier for the most suitable fixing system in order to ensure optimum fixation.

Keep plastic bags out of the reach of children to avoid suffocation. Maintain the packages in a horizontal position during the entire assembly process. Keep them in a clean space, thus avoiding possible damage on the fabric and aluminium structure of the screen.

Avoid installation in overexposed or windy locations.

## Tools needed for assembly...

2 persons



Hammer



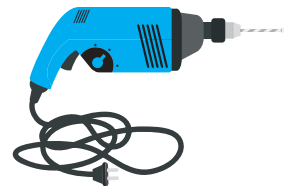
Wall drill bit n-10



Silicone gun



Hammer drill



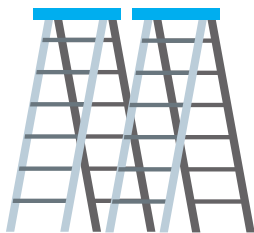
Drill + bits  
+ TORX AW20 bit



Tape measure



2 Ladders



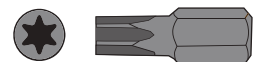
Pliers



Spirit level



TORX AW20 bit



### YOU NEED...

- The screen comes with the necessary screws to be fixed to the bioclimatic pergola Génova. If installed on another type of frame, we highly recommend the use of number 8 plugs & 5x60 stainless steel screws with sheet metal thread (not included).
- Neutral transparent silicone to seal the joints.



# Content list

## Screws included



Screw 4,2 x 16 din 7504 (22 items)

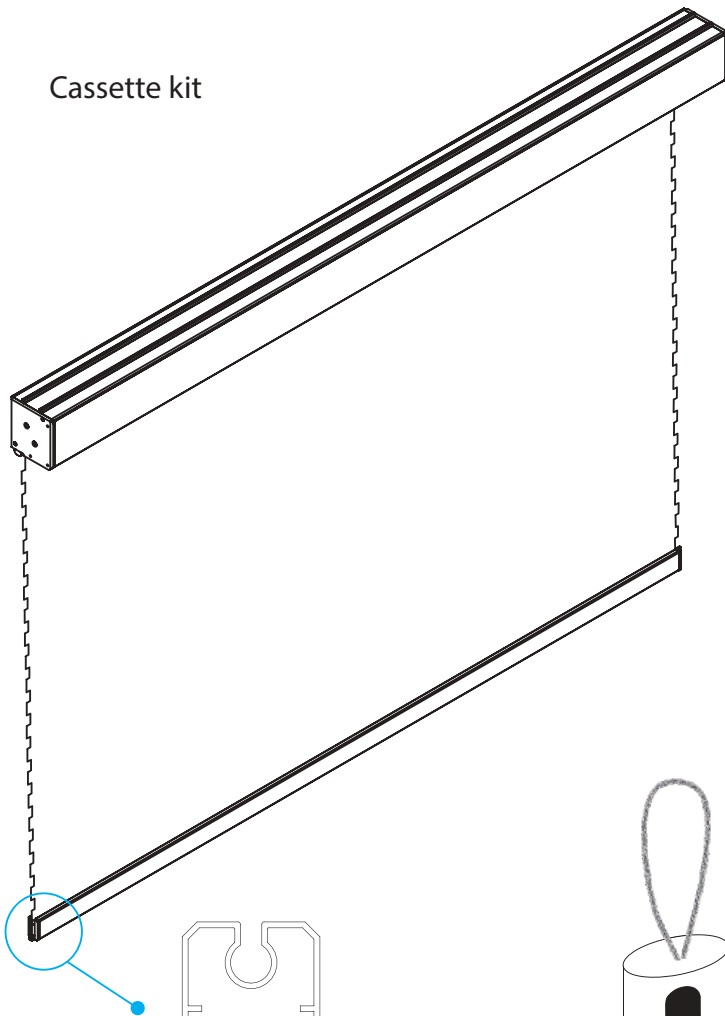


Trim Cap 4,2 (14 items)



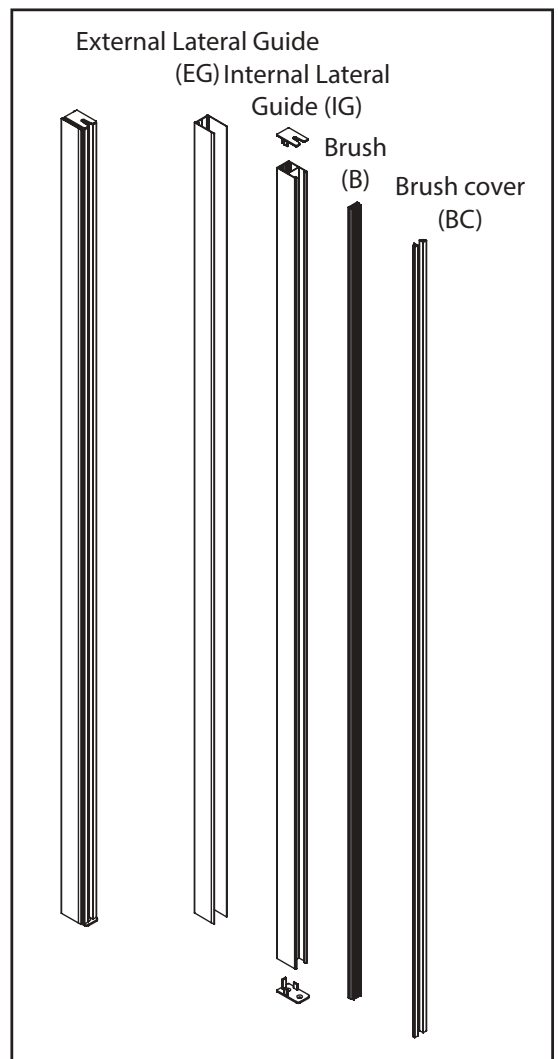
Screw 4,8 x 30 (7 items)

Cassette kit



6 mm high brush which copes with possible uneven surfaces.

Lateral guide kit x2

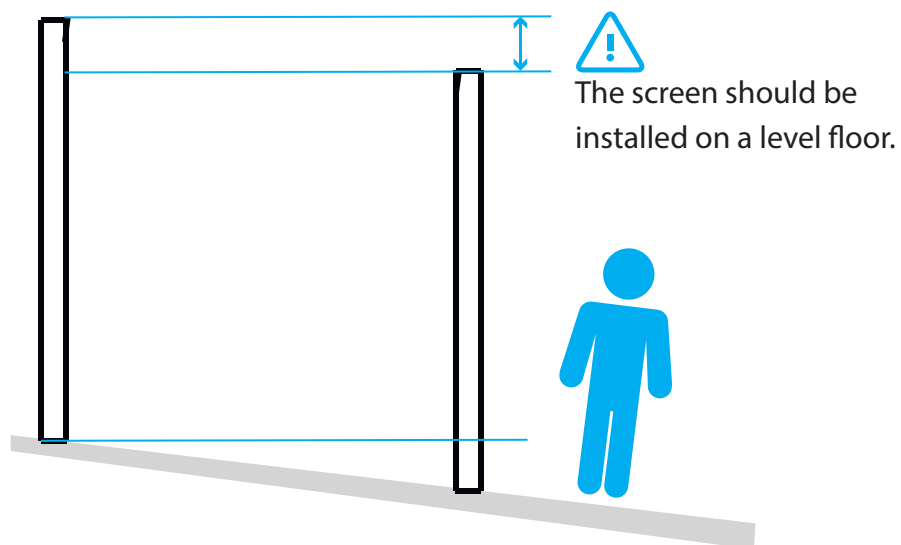
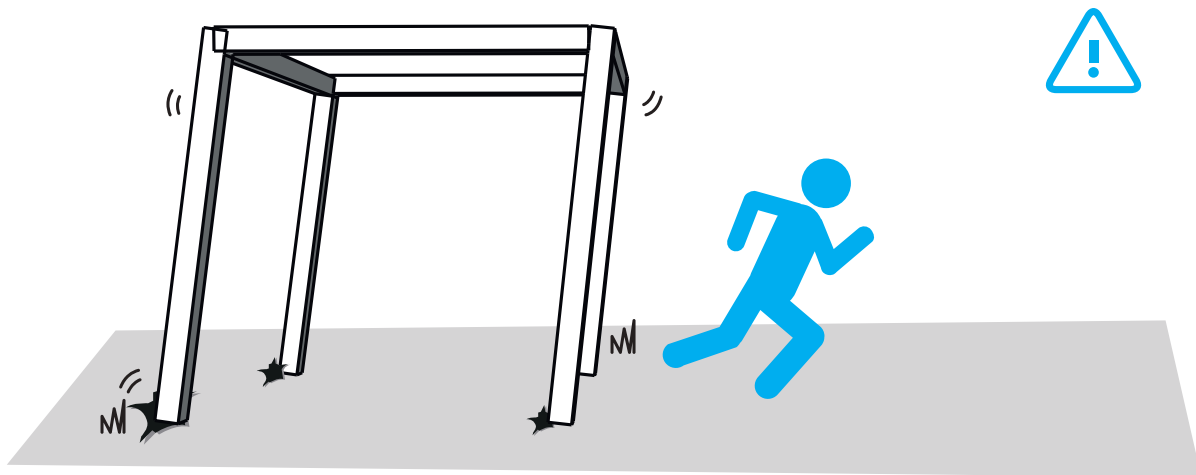


Remote control

If the remote control comes with batteries installed, remove them for a few seconds before inserting them again.

## Safety Precautions

To avoid any risk of falling or detachment of the screen, it must be securely fastened to the frame to which it is to be anchored. If installed on another type of frame than that of the pergola Génova, check the condition and soundness of the support base and ensure that it can support the weight of the screen and withstand impacts to the fastenings. Improper installation can cause the screen to fall down and result in personal injury. In case of doubt about the installation, ask a specialised dealer or call in a professional. Use screws, washers and plugs suitable for the support material.



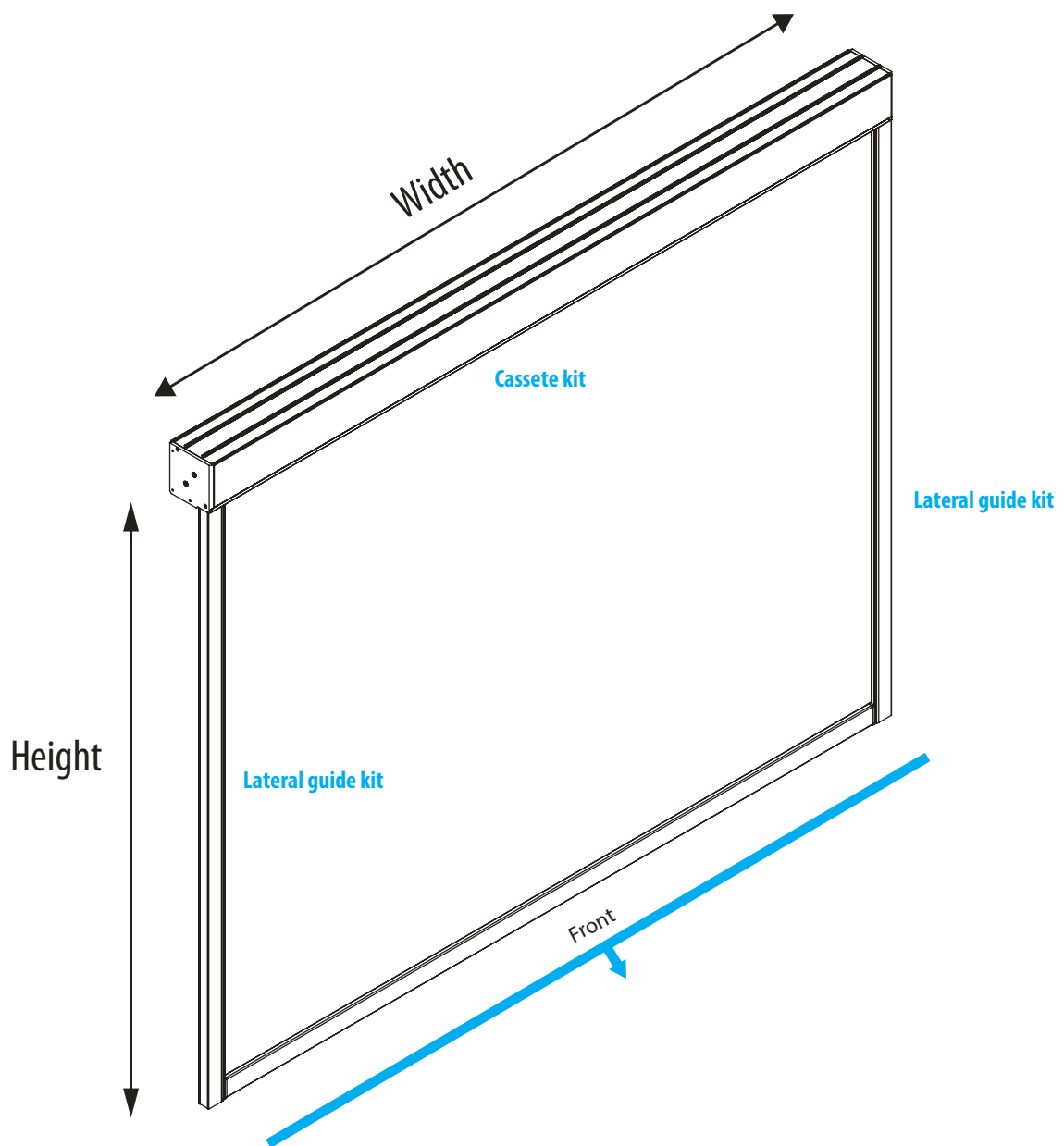
1

# Planning

(measurements and presentation)

1.1

Identify every component of the screen with the help of the drawing. It will help prepare the space needed for the installation and orientate the components of the screen correctly.

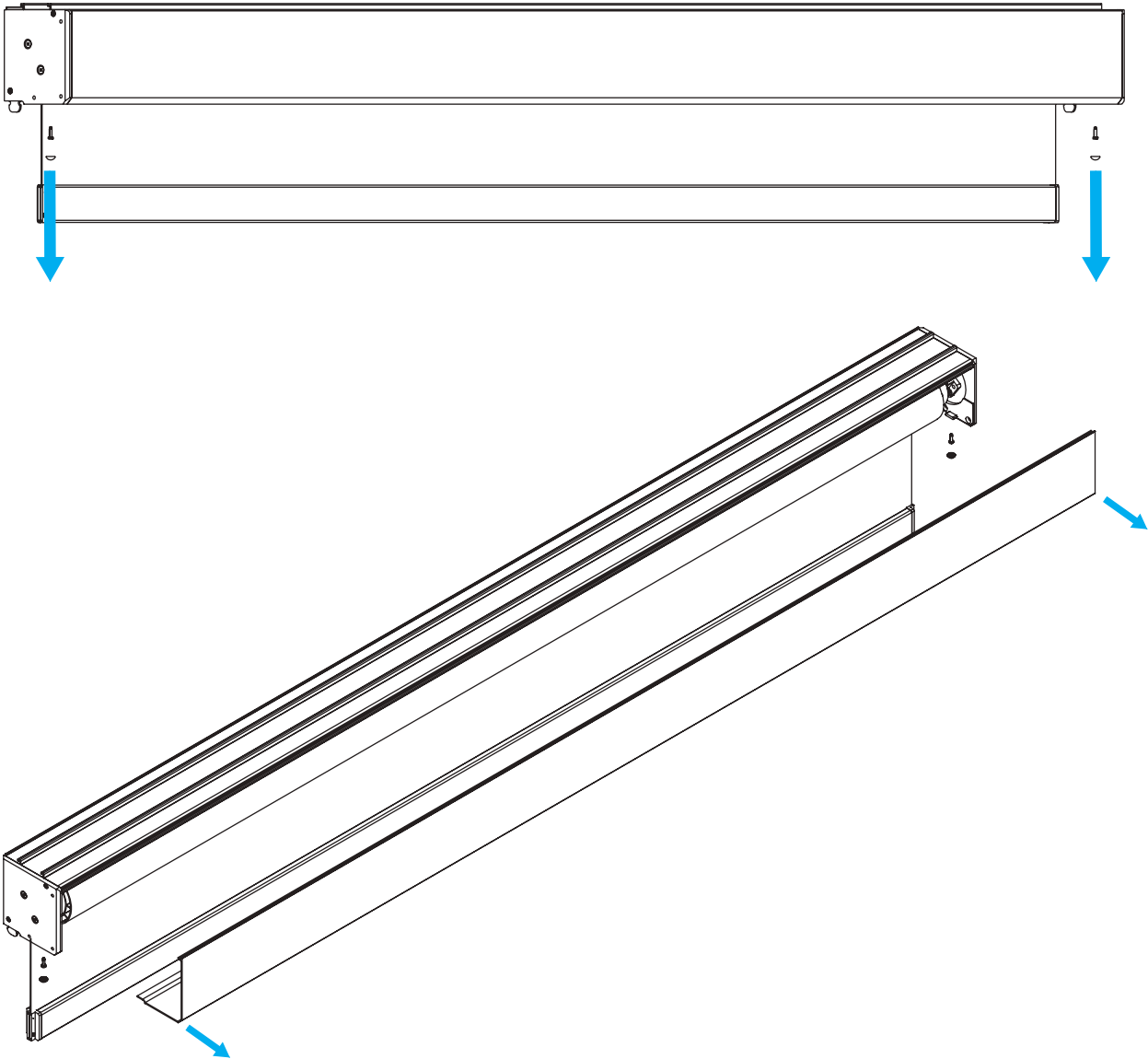


2

## Installation (Fixing the cassette)

2.1

In the first place, remove the trim caps of the cassette cover and the 2 screws of the cover. Subsequently, remove the cover as shown in the drawing.



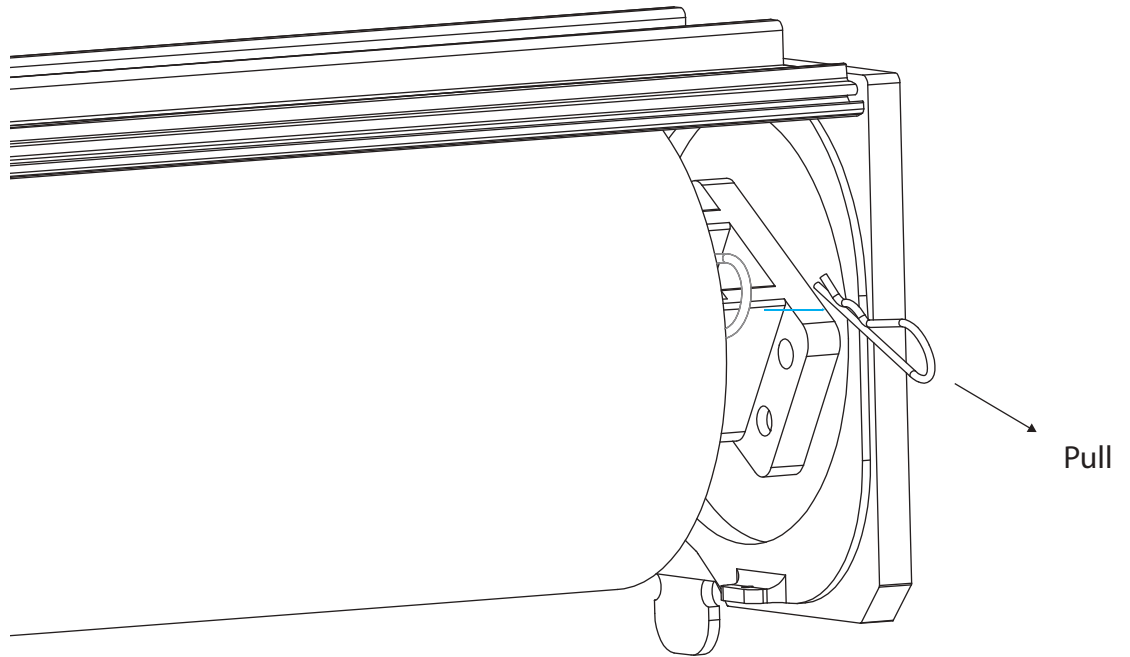


2

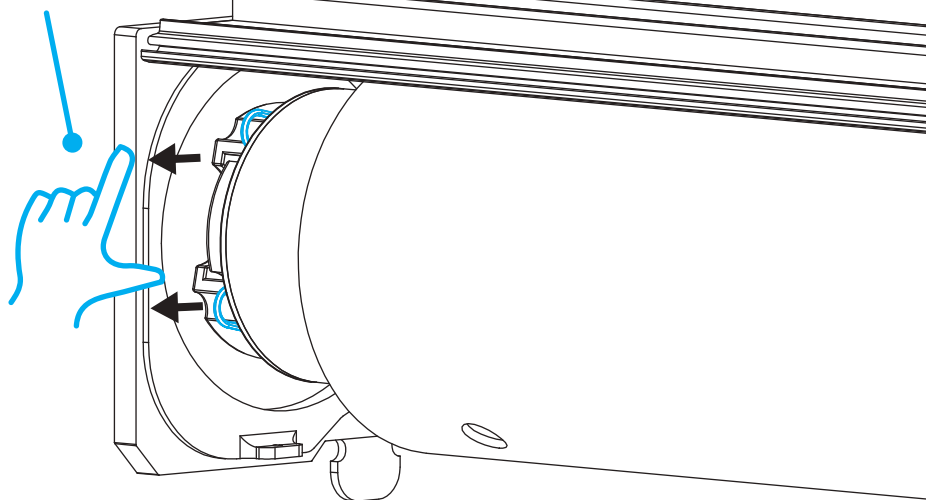
# Installation

(Fixing the cassette)

2.2 Once open, unlock the winding shaft and remove it.



Pull out the 2 forks in order to remove the winding shaft.



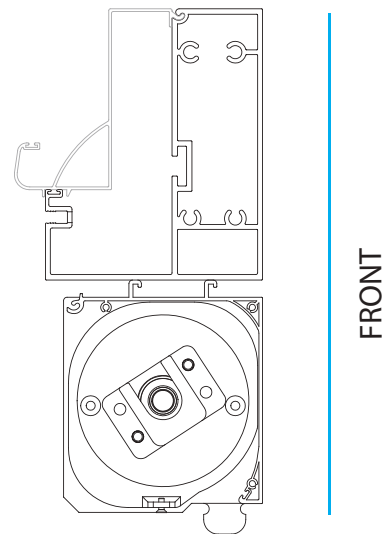
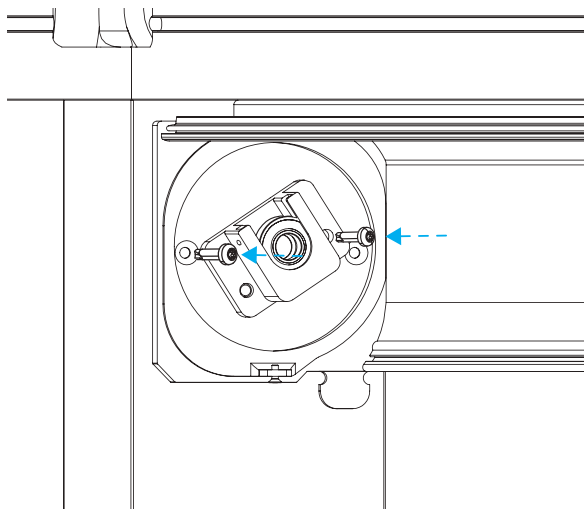
Remove the shaft and reposition the forks.

2

## Installation (Fixing the cassette)

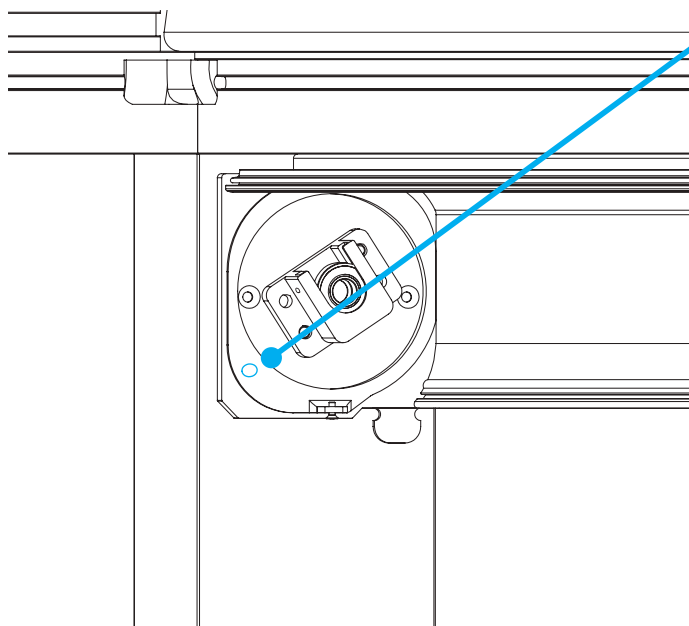
2.3

Before putting the winding shaft back into the cassette, position it by screwing it to the pergola posts with the help of 2 supplied screws (4,8 x 30). Further support should be provided by securing the centre of the cassette to the horizontal pergola profile above it, using 2 evenly distributed screws (supplied, 4,8 x 30).

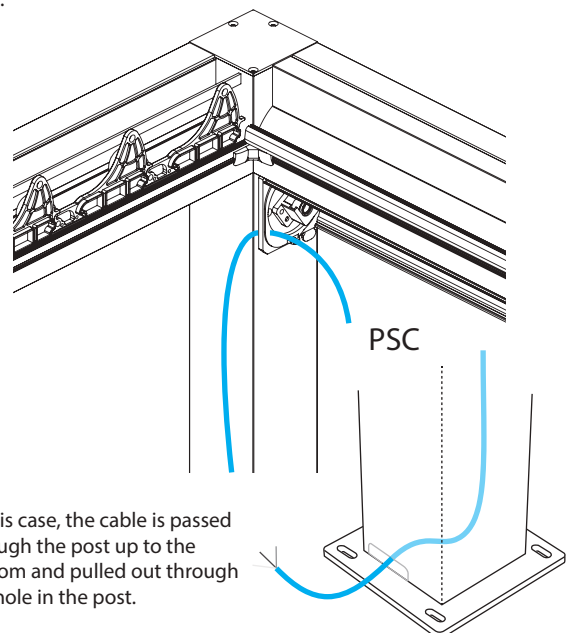


2.4

Drill a hole through which the power supply cable (PSC) is to be passed. The location of the drill hole is at the user's choice, depending on the location where the screen is to be plugged in.



Pull the motor wiring through this hole.



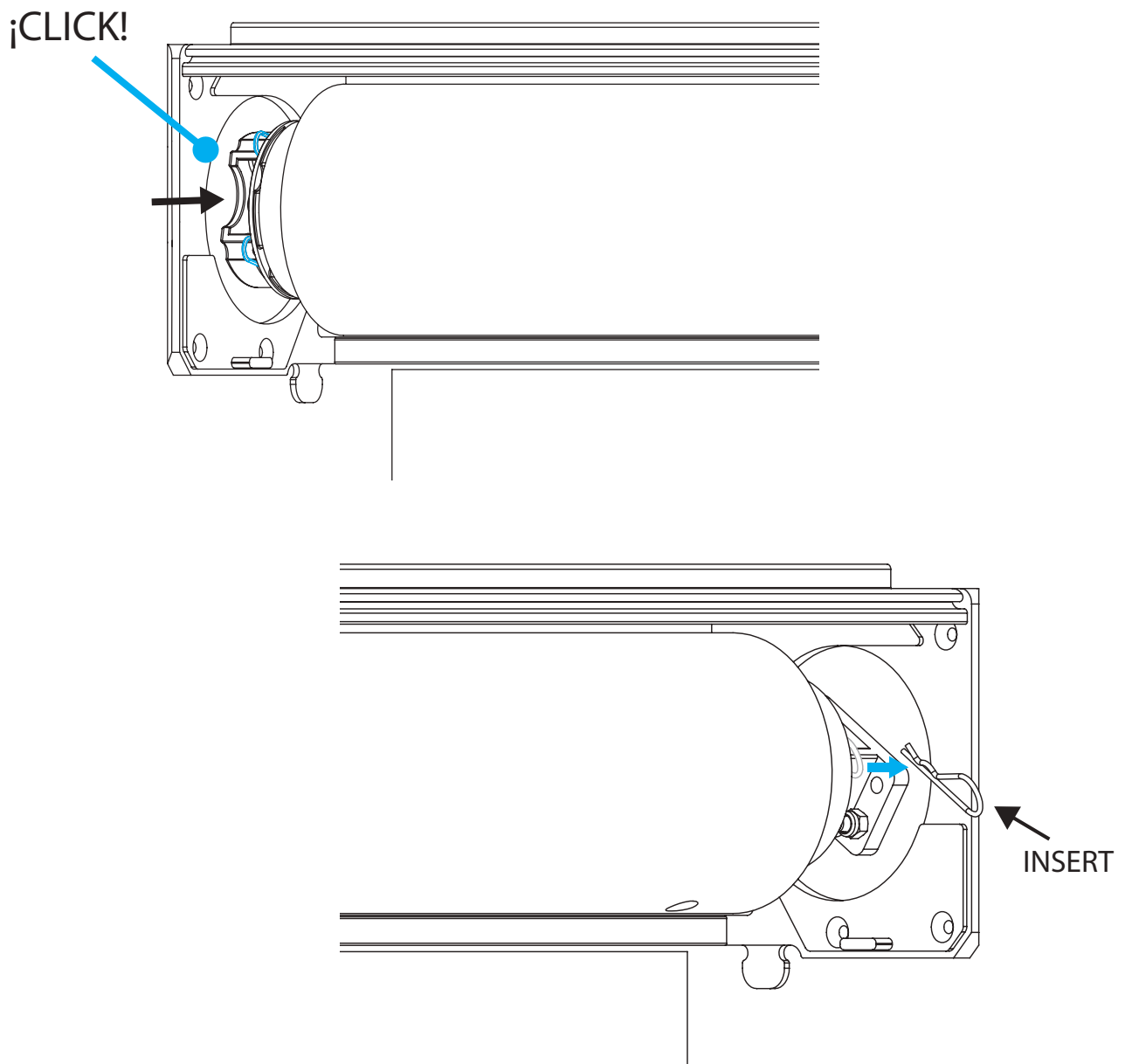
In this case, the cable is passed through the post up to the bottom and pulled out through the hole in the post.

2

# Installation

(Fixing the cassette)

- 2.5 Fit the winding shaft into the cassette brackets and place the forks to secure it. The cassette is now installed as seen in the drawing.

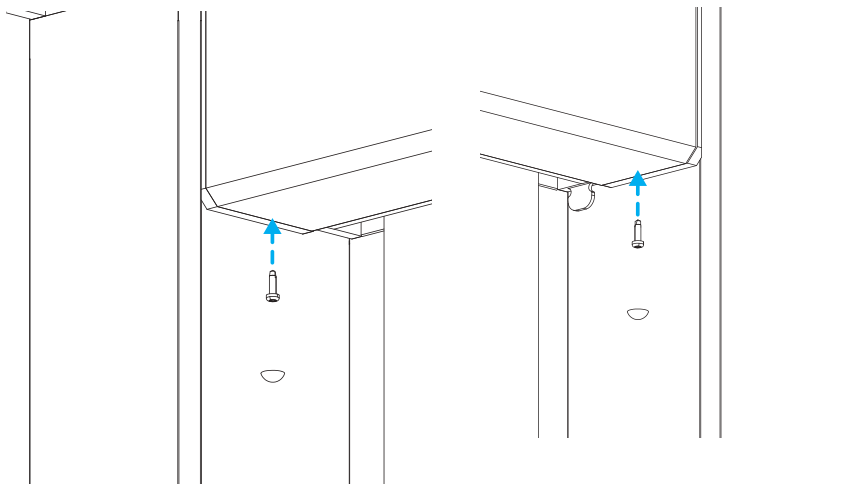
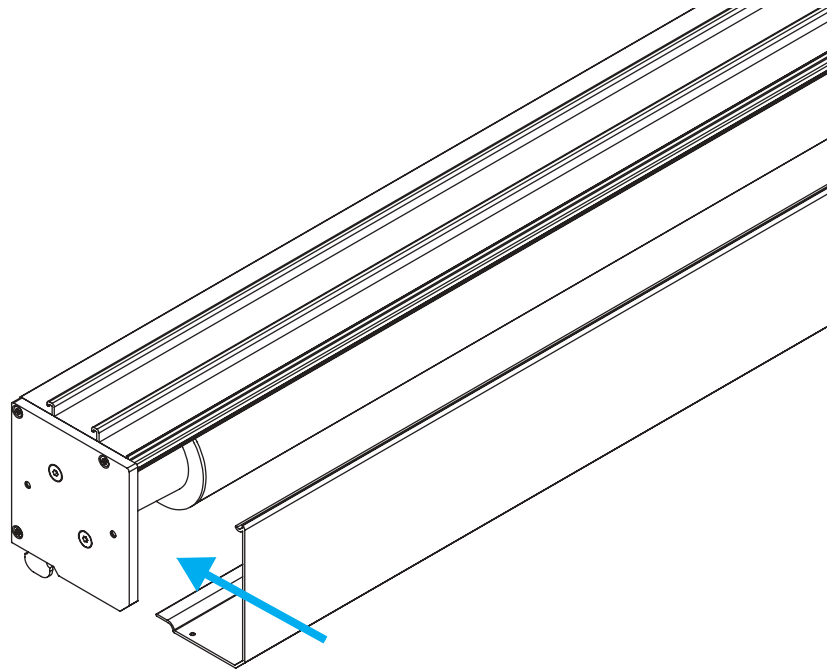


2

# Installation

(Fixing the cassette)

- 2.6 Reposition and screw the cover with the screws that were initially removed on both sides. Place the trim caps.

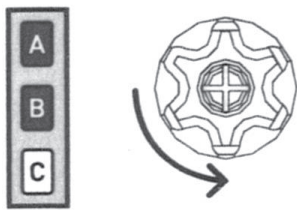


# 3

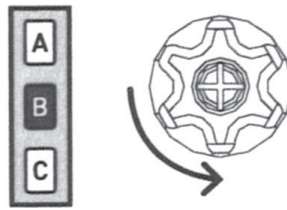
## Installation (Testing the electronic device)

### SCREEN PROGRAMMING

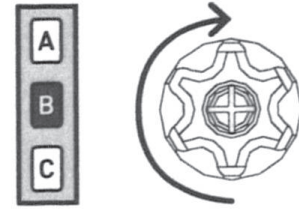
For the screen to start lowering and raising, regardless of the direction of rotation of the shaft, carry out the following steps:



1. Press A & B until the motor moves.

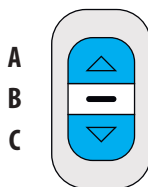


2. Press B until the motor starts moving again.

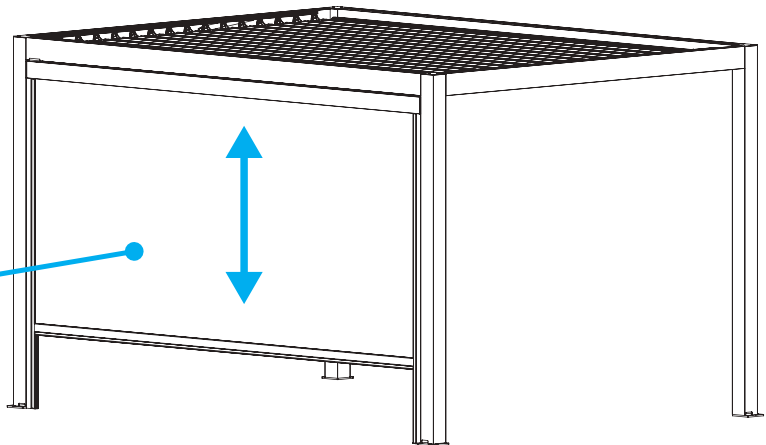


3. Press B until the motor makes its last movement.

**3.1** Check the screen electronics using the lowering and raising buttons A & C. If everything works correctly, proceed to the next step.



Raise and lower the screen in order to check that the electronics are working properly.



### Important:

The keys of the remote control may not match the direction of rotation. If necessary, the direction of rotation is changed automatically after the screen has achieved its rolled-up position.

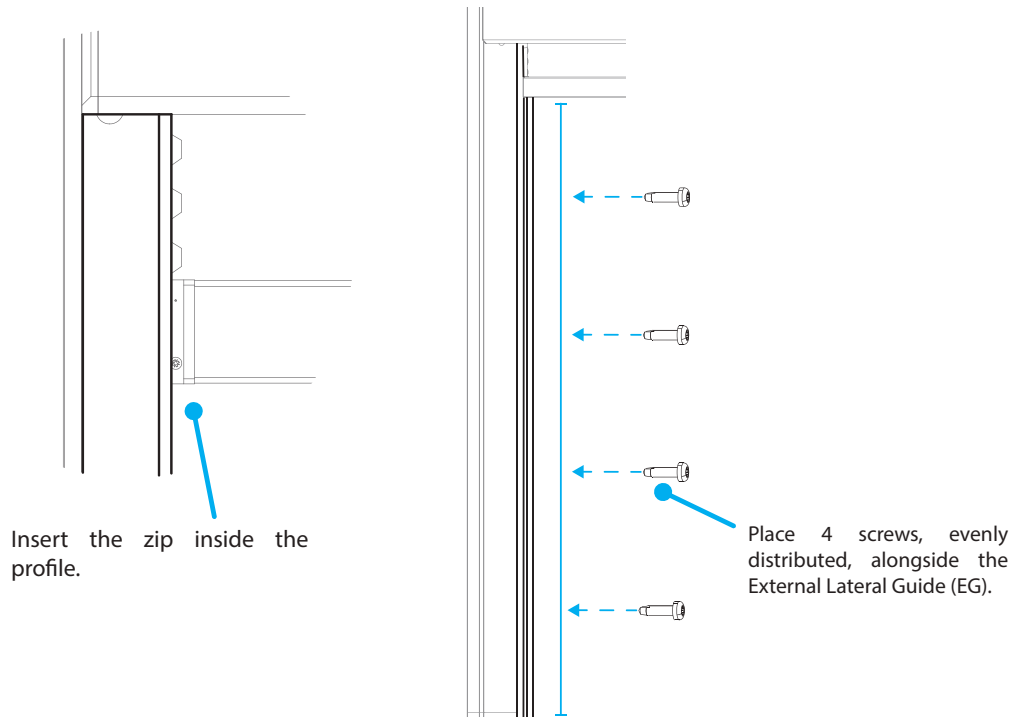
### Note:

For the next step, leave the screen almost completely rolled-up (leaving the zip a little outside the cassette).

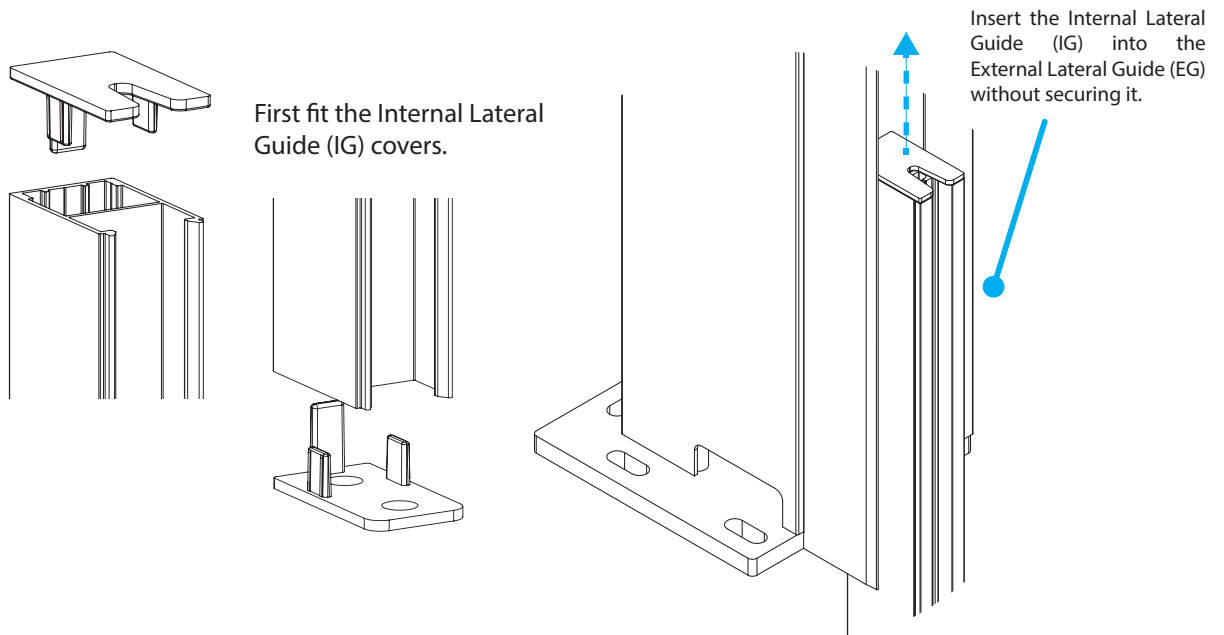
# 4

## Installation (Installing the lateral guides)

- 4.1** First of all, fit the upper part of the External Lateral Guide (EG) in the cassette, hold the profile against the supporting structure and secure it with supplied screws (4,2 x 16), or other screws suitable for the material of the supporting structure. Perform this step on both sides as shown in the drawing.



- 4.2** Fit the Internal Lateral Guide (IG) into the External Lateral Guide (EG) previously anchored to the supporting frame. The Internal Lateral Guide (IG) remains inside the External Lateral Guide (EG) with a certain looseness to be able to tighten the fabric of the screen later on. Perform this step on both sides.

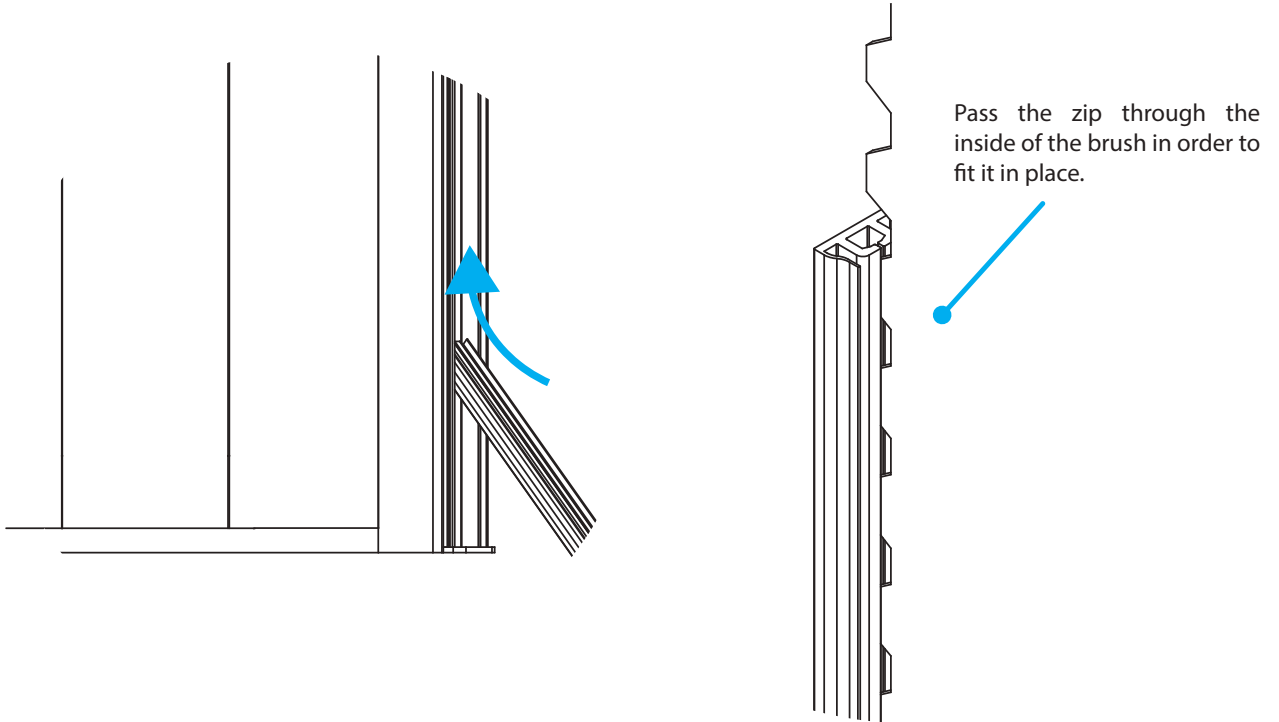


4

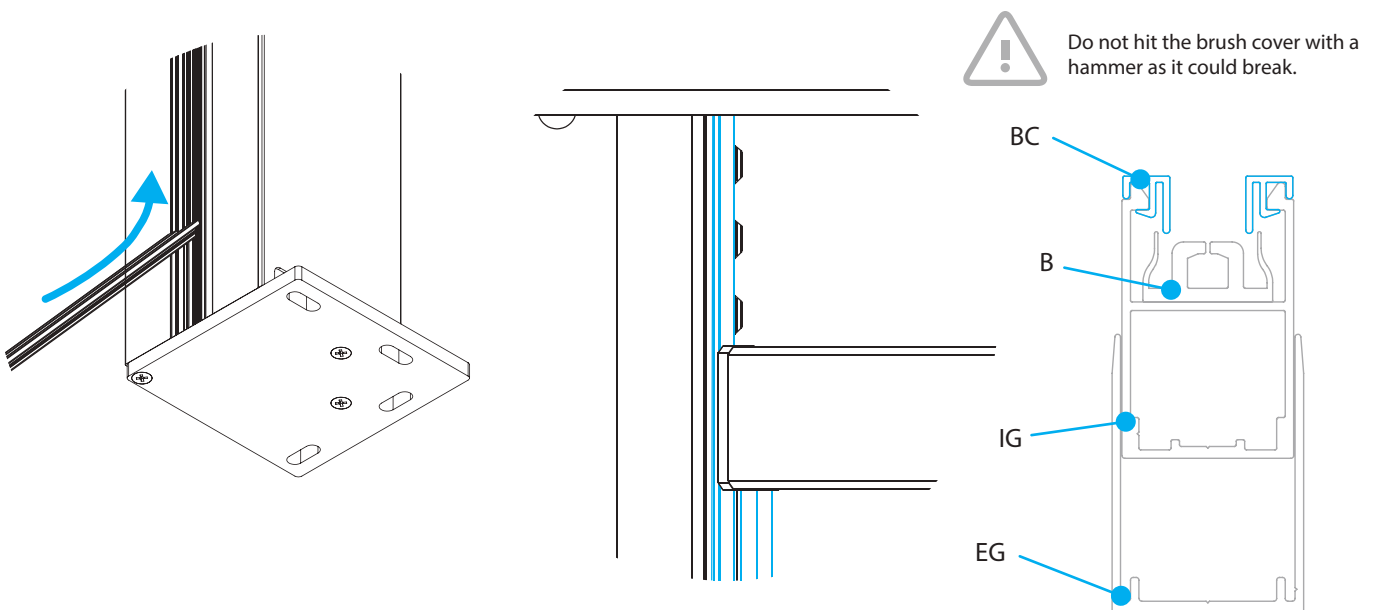
# Installation

(Installing the lateral guides)

- 4.3 Insert the Brush (B) into the 2 previously embedded profiles (EG & IG). Pass the zip through the inside of the Brush in order to fit it in place. Perform this step on both sides.



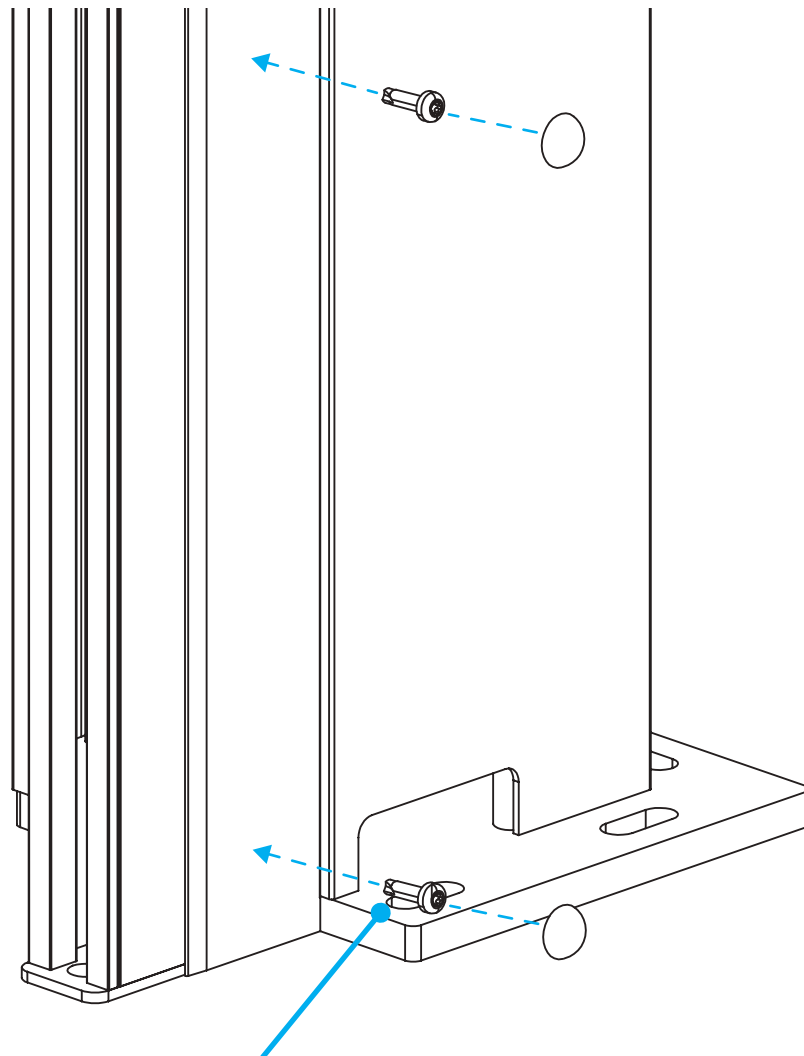
- 4.4 Place the Brush Cover (BC) in order to ensure that the Brush (B) doesn't come out of the profiles. Perform this step on both sides.



5

## Installation (Tightening of the screen)

- 5.1** Move the Internal Lateral Guides (IG) as far as possible until they hit the External Lateral Guides (EG). Unroll the screen to the bottom and screw the Internal Lateral Guide (IG) to the External Lateral Guide (EG) on one side. Tighten the other side and screw the Internal Lateral Guide (IG) to the External Lateral Guide (EG). This leaves the fabric perfectly tightened.



Fix on the bottom, middle and top on both sides.  
Screws included (4,2 x 16).

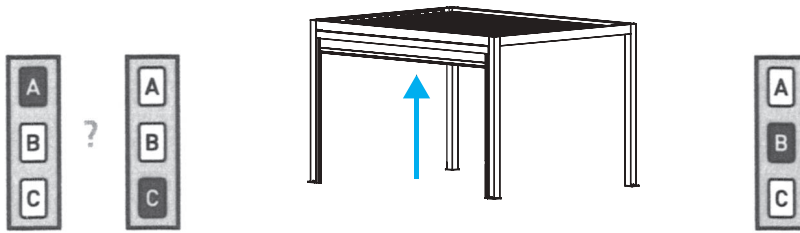


# 6

# Installation

(Fine-tuning of the screen action)

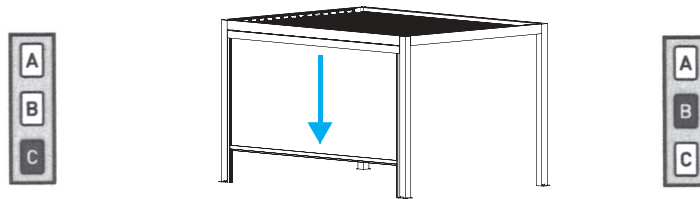
- 6.1** It is mandatory to begin with the screen in **ROLLED-UP POSITION**. Important! The keys of the remote control may not match the direction of rotation. If necessary, the direction of rotation is changed automatically after the screen has achieved its rolled-up position.



Press either button A or C to roll up the screen as far as the desired open position.

Press button B to stop the movement of the screen, once the position is achieved.

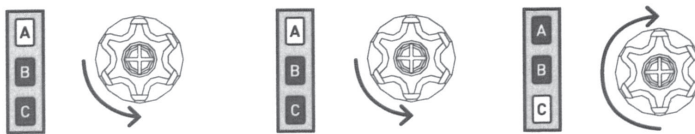
- 6.2** Adjustment of the **UNROLLED POSITION**.



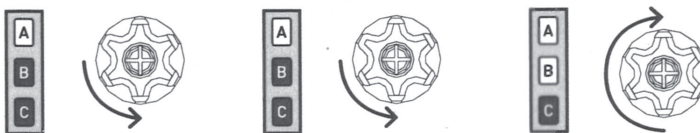
Press button C to open the screen to the desired unrolled position.

Press button B to stop the movement of the screen and memorize the desired unrolled position.

### CANCELLATION OF THE ROLLED-UP POSITION

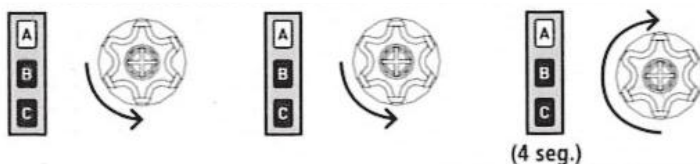


### CANCELLATION OF THE UNROLLED SCREEN POSITION



Press the indicated buttons until the motor moves.

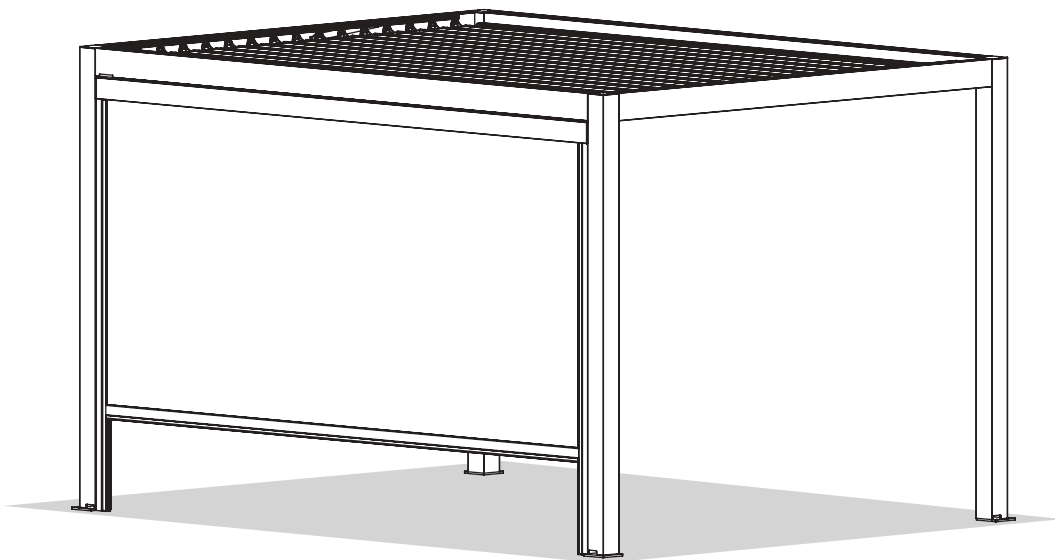
### TOTAL CANCELLATION OF THE SCREEN POSITIONS



7

## Installation (Testing de installation)

- 7.1 Once the installation has been completed, check that the screen is working properly, ensure that the screws are correctly fastened and fit the trim caps for the screws.



# Tips and maintenance



## ASSEMBLY

In order to assure the smooth operation and durability of the screen and pergola, we recommend a maintenance at least once a year, or more frequently if the screen is exposed to aggressive climate conditions.

In order to prevent corrosion, we recommend cleaning the frame with a neutral detergent at least once a year, or more frequently if it is exposed to aggressive climate conditions (coastal zones, industrial & urban zones with a lot of suspended dust particles in the air, etc).

Rinse thoroughly with water after cleaning in order to avoid salt formation on the surface of the frame.

Eliminating exogenous agents capable of attacking the finish and aluminium frame, a thorough and periodic cleaning extends the life of the frame and the aesthetic look of the screen.

## Contact information

Austria



Belgium



Croatia



Denmark



Estonia



Finland



France



Germany



Ireland



Italy



Latvia



Lithuania



Nederland



Norway



Poland



Portugal



Spain



Sweden



Switzerland



UK

