

DANCOVER[®]

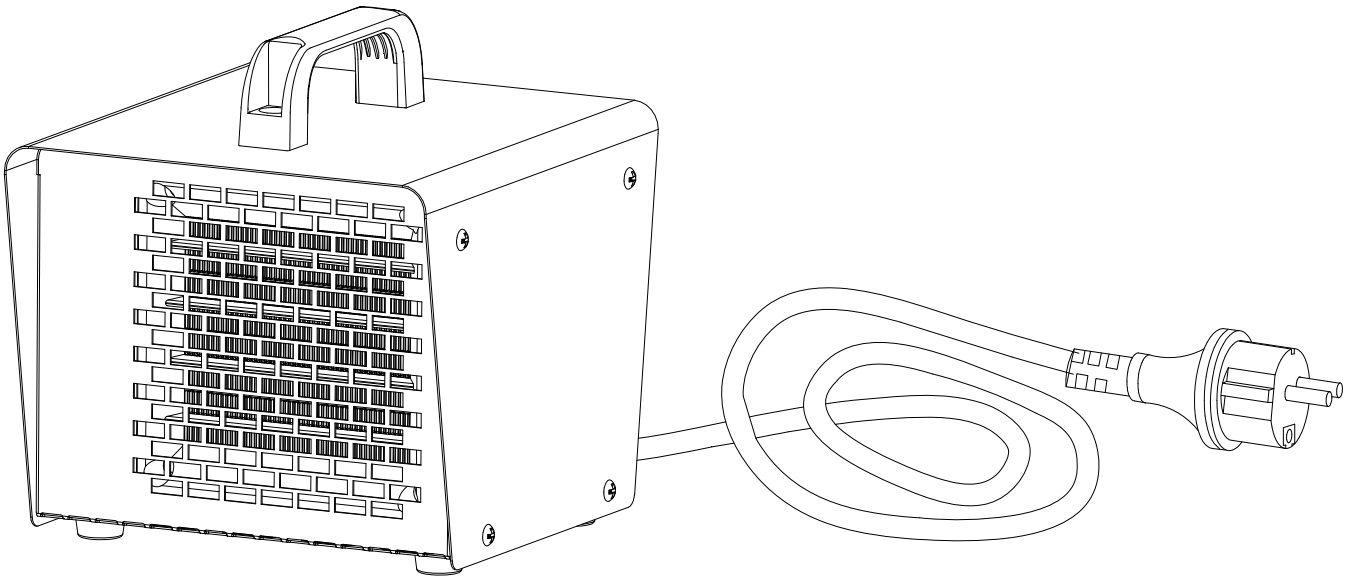
.com

Manual
Heater
PTC-2000

PTC Heater

Usermanual

PTC-2000



Cixi Hengjin Electron Co., Ltd

PTC-2000 user manual

1. Introduction:

Please read this instruction manual carefully before use and operate the heater properly. Keep the user manual in a safe place for later reference.

The product is Class I appliance and must be connected to a properly earthed socket with adequate current capacity (15A or more).

The appliance bears many merits such as small dimension with novelty, beautiful design and optimized construction. Being used under different ambient temperature, the PTC heating element adjusts the heat output automatically and safely, the warm air is sent out by the fan through forced air circulation. The appliance heats up fast and uniformly. It also ensures safety use through double protections (overheat protector and adjustable thermostat).

2. Technical specifications:

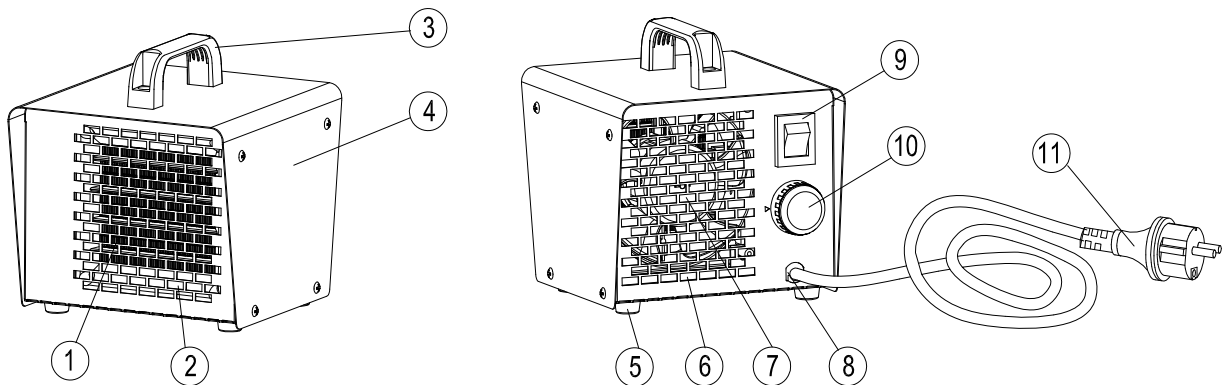
Model	Enclosure	Rated voltage/ frequency	Power input	Packing dimension	Gross weight	Net weight	Other function
PTC-2000	Metal enclosure	AC230V/ 50Hz	2KW	197 mm×197 mm ×205 mm	2.5 KG	2.36KG	

Before using the appliance, ensure that the power line is connected to a 15A fuse link.

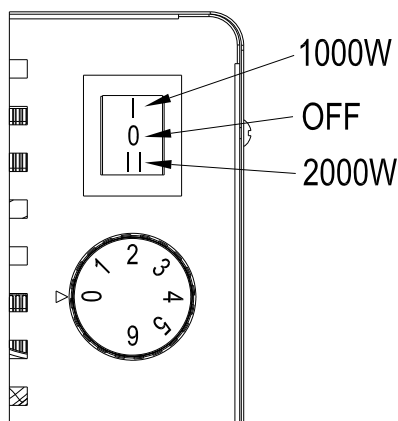
The product can only be used as portable appliance.

The appliance is connected to the power supply through the power cord and plug.

2. product description and use



- ① PTC heat element ② air outlet ③ handle ④ enclosure ⑤ stand feet
- ⑥ air inlet ⑦ fan leaf ⑧ cord anchorage ⑨ switch ⑩ thermostat
- (11) power cord with plug



Control panel

- 1> Two levels switch with 3 positions, heating level I : 1000W、 level II : 2000W。
- 2> Adjustable thermostat, 0~40 Celsius, 270 degree.
- 3> First turn the thermostat to the maximum position, switch the appliance on with the biggest power input, when the desired room temperature is reached, turn the thermostat anticlockwise till it turns off (a “click ” is heard). The thermostat then will automatic turn on and off to keep the room temperature constant.
- 4> It’s normal when odor is blew off from the PTC heating element by the first use. It will cease to happen when used again.
- 5> After the use, follow the below steps to operate the heater: turn off the thermostat and switch(OFF position), unplug and let the appliance cool down in the air. When the appliance cools down completely, put it in the packaging. Avoid to store the unit before the heating element doesn’t cool down, it’s dangerous to store the hot unit.

3. SAFETY INSTRUCTIONS

Warning: In order to avoid overheating, do not cover the heater.

It is important to read following instructions carefully before using the appliance:

- 1> Connect the plug only in an earthed socket with rated voltage.
- 2> Children should be supervised to ensure that they do not play with the appliance. The appliance is not intended for use by person (including children) with reduced physical, sensory or mental capabilities, or lack of experience and knowledge. If the appliance is damaged, do not use it any more.
- 3> The heating device shall not be installed below a socket-outlet.
- 4> Do not use outdoors or in humid place. Never use the heater in the bathroom, shower or near a swimming pool etc.

- 5> Do not place the appliance on moving vehicles or some where easy to be tipped over.
- 6> When you don't use the appliance for a long time, unplug the appliance. Don't leave the heater for a considerable amount of time when in use. Pull the plug straight out, never remove the plug by pulling on the cord.
- 7> Use the appliance in places with good air ventilation; do not position it near a wall or corner.
- 8> When the appliance is in use, keep it far from combustible, explosive articles or explosive, corrosive gas. Keep the heater far from curtain or places where the air inlet can easily be blocked.
- 9> It is recommended that a separate circuit serving only this appliance be provided, keep the power cord far enough from the hot air outlet ;
- 10> Do not use this heater with a programmer, timer or any other device that switches the heater on automatically, ;
- 11> The power coupler is waterproof when not in use. In order to prevent possible electric shock or leakage current, never use the appliance with wet hand or operate the appliance when there is water on the power cord.
- 12> If the supply cord is damaged, it must be replaced by the manufacturer or service agent or a similarly qualified person in order to avoid a hazard.
- 13> In case the motor doesn't turn after switching on of the power switch, stop using the appliance and let it repaired by an approved electro technician before you use it again.
- 14> Heater is not located immediately below a socket-outlet.
- 15> Do not use this heater in the immediate surroundings of a bath, a shower or a swimming pool.
- 16> Do not throw the appliance in dustbin. Do not dispose of electrical appliances as unsorted municipal waste, use separate collection facilities. Contact you local government for information regarding the collection systems available. If electrical appliances are disposed of in landfills or dumps, hazardous substances can leak into the groundwater and get into the food chain, damaging your health and well-being.



- 17> This appliance is not intended for use by persons (including children) with reduced physical, sensory or mental capabilities, or lack of experience and knowledge, unless they have been given supervision or instruction concerning use of the appliance by a person responsible for their safety.
- 18> Children should be supervised to ensure that they do not play with the appliance.

4.Cleaning and maintenance

Before cleaning the appliance, disconnect it from the socket and let it cool down.

The enclosure is easily to get dirty, wipe it often with soft sponge. For very dirty parts, wipe with a sponge dipped in < 50°C water and mild detergent, then dry the heater enclosure with clean cloth. Be careful not to let the water enter the appliance inner.

Don't splash water onto the heater, never use solvent like gasoline, isoamyl acetate, toluene etc to clean the heater, in order to protect the enclosure.

Clean the coupler, dry and pack it in a plastic bag.

When you store the heater, let it cool down first, keep it dry. Then cover it with a plastic bag, put in the packing box and store it in a dry, ventilated place.

Contact information

Head office:

Dancover A/S
Nordre Strandvej 119 G
3150 Hellebæk
Denmark

For more information
please visit:
www.dancovershop.com

National contact

Denmark: 70 26 76 20
denmark@dancover.com

UK: 020 8099 7570
uk@dancover.com

Germany: 041 0266 7040
germany@dancover.com

France: 0975 181 800
france@dancover.com

Sweden: 040 233 262
sverige@dancover.com

Finland: 0 931 581 720
suomi@dancover.com

Poland: 22 300 8602
polska@dancover.com

Luxembourg: +49 041 0266 7040
luxembourg@dancover.com

Portugal: 308 800 899
portugal@dancover.com

Spain: 911 436 828
espana@dancover.com

Italy: 02 479 21 198
italia@dancover.com

Switzerland: 0840 000125
schweiz@dancover.com

Austria: 0662 626935
austria@dancover.com

Norway: 231 00 690
norge@dancover.com

Nederland: 0 858 880 524
nederland@dancover.com

Ireland: 0 151 33 003
ireland@dancover.com

Belgium: 0 28 08 08 09
belgique@dancover.com