

**DANCOVER<sup>®</sup>**



Manual  
for  
Electric Fan Heater  
Fiji

# Manual Heater

## 1. The product description:

This product is a fan-type electric heaters, room heating is achieved through fan forced cooling, this product can only be used in household or factory. A built-in physical expansion type thermostat and self-reset overheat thermal cut-out adjust the temperature and provide protection. At ambient temperature 0 ° man can adjust the temperature of the thermostat in a range of 0-40 °C to control the air inlet temperature; the self-reset thermal cut-out controls the appliance body temperature, so that to avoid the overheating caused by wrong operation and provide the user a safety and secure operation. The cooling fan is not controlled by thermostat and still works when the heating element has power-off. The Product can be adjusted upwards with an angle up to 10-degree, it's user-friendly for heating with different air-outlet angles; a built-in anti-overturn switch shuts off the heater when it was tipped over 50-degree or above and the product stops working.

## 2. Technical specifications:

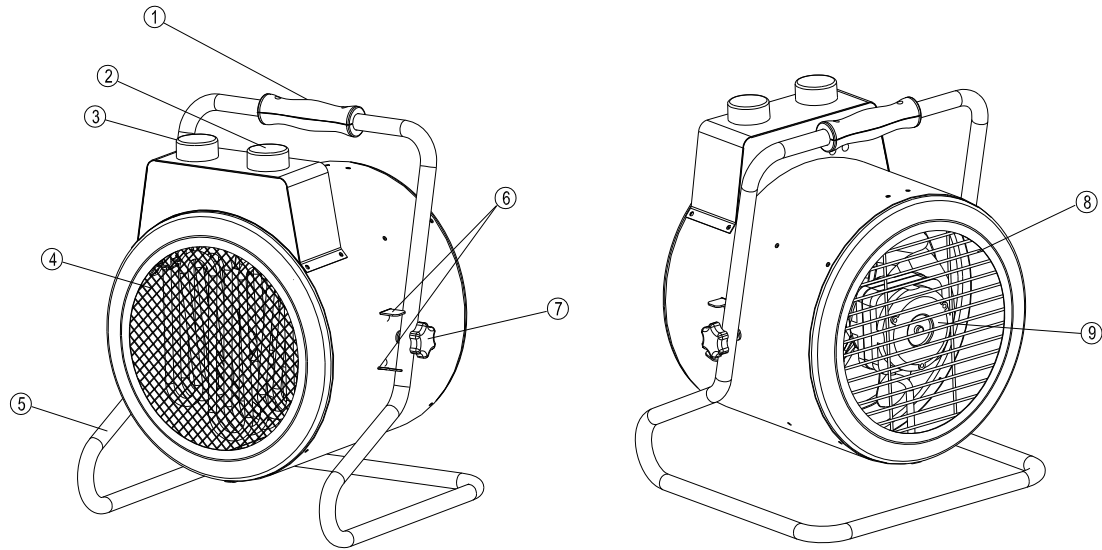
Model	form Description	Rated voltage / frequency	power	Product dimension	IP	Weight gross	Weight net	Additional function
IFH01A-30	steel frame	AC230V/50Hz	3KW	382 mm×325 mm ×445 mm	IP24	6.29 KG	5.39 KG	

Fuse: capacity must be more than 10A

Portable appliance

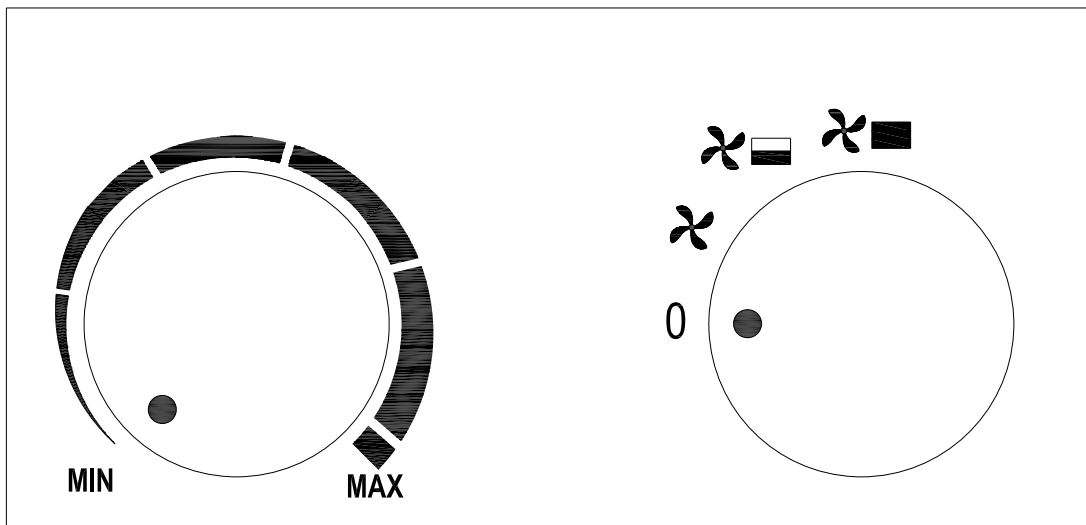
Electric connection: through coupler and plug

### 3. Product description and operation:



(1) handle (2) switch knob (3) thermostat (4) front cover (5) steel frame (6) angle orientation plate (7) adjustment knob (8) rear cover (9) motor

#### Control Panel



Rotary switch with 3 levels and 4 positions, the first level is ventilator only, the second level is 2KW heating power, and the third level is highest power 3KW.

0 ~ 40°C adjustable thermostat to control the room temperature, the thermostat button can be turned from 0 to 270 degree.

#### **THERMOSTAT INSTRUCTIONS**

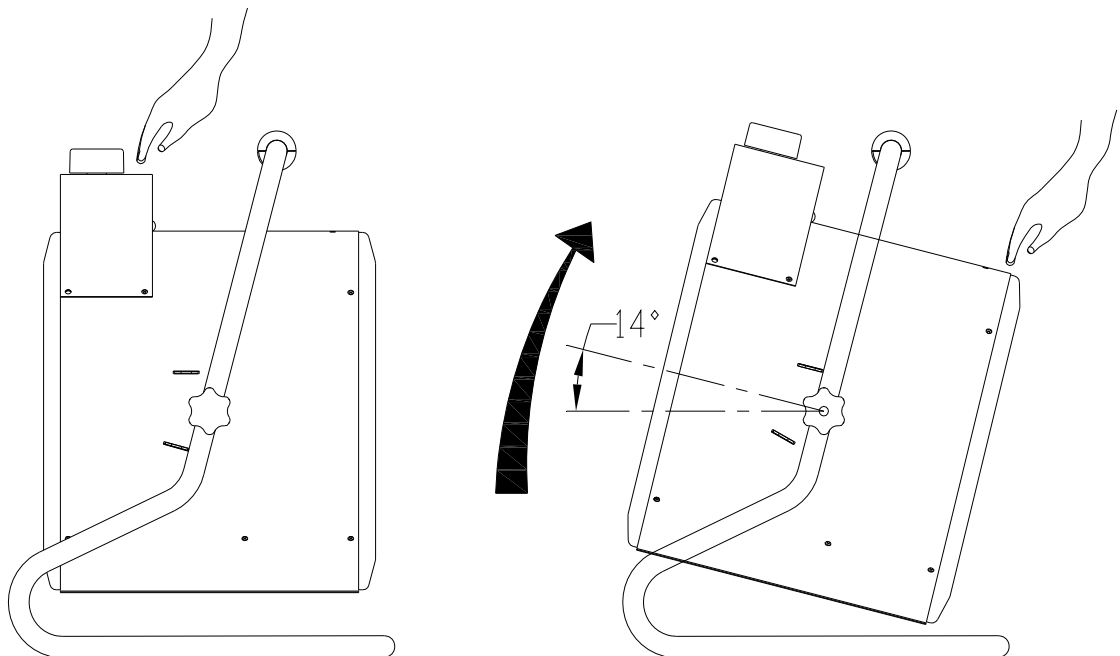
At first turn the thermostat to “Max” and let the heater operate with full power input. When the room temperature reaches the required value, turn the thermostat to left until it switches off. The thermostat will then switch on and off automatic to control the room temperature according to the preset value and keep the room temperature constant.

When using the heater for the first time, you may notice a slight emission of smoke. This is

quite normal and it stops after a short time. The heating element is made of steel and was coated with a layer of protection oil by production. The smoke is caused by the left oil when heated.

After the use turn the thermostat to OFF position and turn the selector switch to Fan level, let the appliance cool down for two minutes. For appliances with time delay stopping function, even when the power switch is off, the delay circuit may turn on the appliance if the inner temperature reached the preset function value. The delay time depends on the ambient temperature. For 20 °C ambient it is ca. 3-4 minutes. If the ambient temperature keeps being more than 27°C so the delay device can not cool down, the delay time may be very long or the delay circuit doesn't open, hereby the user can only disconnect the appliance from the power supply by pulling out the plug.

#### 4. Angle adjustment description:



During the operation the user can increase the air out-let angle; the biggest adjustment is 14 degrees. Firstly tighten the adjustment knob at both ends of steel-pipe rack then gently press the tail top of the product with hand, the heater will be tilted. Adjust the hot air direction to the user needed angle, now the heater blows hot air up, if the user needs the direction of air to be horizontal blown out, gently press the control box top at the front part of product.

#### **SAFETY INSTRUCTIONS**

**Warning: In order to avoid overheating, do not cover the heater.**

When using electrical appliances basic precautions should always be followed, including the following:

- 1) Do not connect the appliance to the mains power socket if the voltage given on the rating plate differs from the mains voltage.

- 2) Children should be supervised to ensure that they do not play with the appliance. If the appliance is damaged, do not use it any more.
- 3) The heating device shall not be installed below a socket-outlet.
- 4) Do not use outdoors or in humid place. Never use the heater in the bathroom, shower or near a swimming pool etc.
- 5) Do not place the appliance on moving vehicles or somewhere easy to be tipped over.
- 6) When you don't use the appliance for a long time, unplug the appliance. Don't leave the heater for a considerable amount of time when in use. Pull the plug straight out, never remove the plug by pulling on the cord.
- 7) Use the appliance in places with good air ventilation; do not position it near a wall or corner.
- 8) When the appliance is in use, keep it far from combustible, explosive articles or explosive, corrosive gas. Keep the heater far from curtain or places where the air inlet can easily be blocked.
- 9) It is recommended that a separate circuit serving only this appliance be provided, keep the power cord far enough from the hot air outlet ;
- 10) Do not use this heater with a programmer, timer or any other device that switches the heater on automatically, ;
- 11) The power coupler is waterproof when not in use. In order to prevent possible electric shock or leakage current, never use the appliance with wet hand or operate the appliance when there is water on the power cord.
- 12) If the supply cord is damaged, it must be replaced by the manufacturer or its service agent or a similarly qualified person in order to avoid a hazard.
- 13) Heater is not located immediately below a socket-outlet.
- 14) Do not use this heater in the immediate surroundings of a bath, a shower or a swimming pool.
- 15) Do not throw the appliance in dustbin. Do not dispose of electrical appliances as unsorted municipal waste, use separate collection facilities. Contact you local government for information regarding the collection systems available. If electrical appliances are disposed of in landfills or dumps, hazardous substances can leak into the



groundwater and get into the food chain, damaging your health and well-being. ■■■■

- 16) This appliance is not intended for use by persons (including children) with reduced physical, sensory or mental capabilities, or lack of experience and knowledge, unless they have been given supervision or instruction concerning use of the appliance by a person responsible for their safety.
- 17) Children should be supervised to ensure that they do not play with the appliance.

### **Cleaning and maintenance**

Before cleaning the appliance, disconnect it from the socket and let it cool down.

The enclosure is easily to get dirty, wipe it often with soft sponge. For very dirty parts, wipe with a sponge dipped in < 50°C water and mild detergent, then dry the heater enclosure with clean cloth. Be careful not to let the water enter the appliance inner.

Don't splash water onto the heater, never use solvent like gasoline, isoamyl acetate, toluene etc to clean the heater, in order to protect the enclosure.

Clean the coupler, dry and pack it in a plastic bag.

When you store the heater, let it cool down first, keep it dry. Then cover it with a plastic bag, put in the packing box and store it in a dry, ventilated place.

## **Warranty Information**

The warranty only covers defects in material or workmanship.

The repairs under warranty may only be carried out by an authorised service centre. When making a claim under the warranty, the original bill of purchase (with purchase date) must be submitted.

The warranty will not apply in cases of:

- Normal wear and tear
- Incorrect use, e.g. overloading of the appliance, use of non-approved accessories
- Use of force, damage caused by external influences
- Damage caused by non-observance of the user manual, e.g. connection to an unsuitable mains supply or non-compliance with the installation instructions
- Partially or completely dismantled appliances

Correct Disposal of this product



This marking indicates that this product should not be disposed with other household wastes throughout the EU. To prevent possible harm to the environment or human health from uncontrolled waste disposal, recycle it responsibly to promote the sustainable reuse of material resources.

## Contact information

Austria



Belgium



Croatia



Denmark



Estonia



Finland



France



Germany



Ireland



Italy



Latvia



Lithuania



Nederland



Norway



Poland



Portugal



Spain



Sweden



Switzerland



UK

