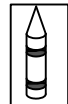
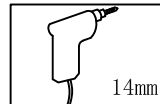
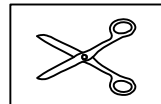
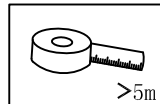
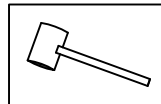
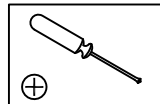
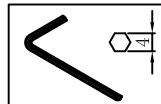
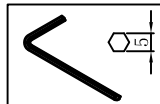
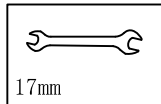
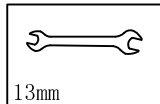
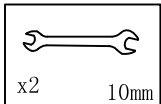
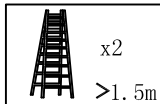
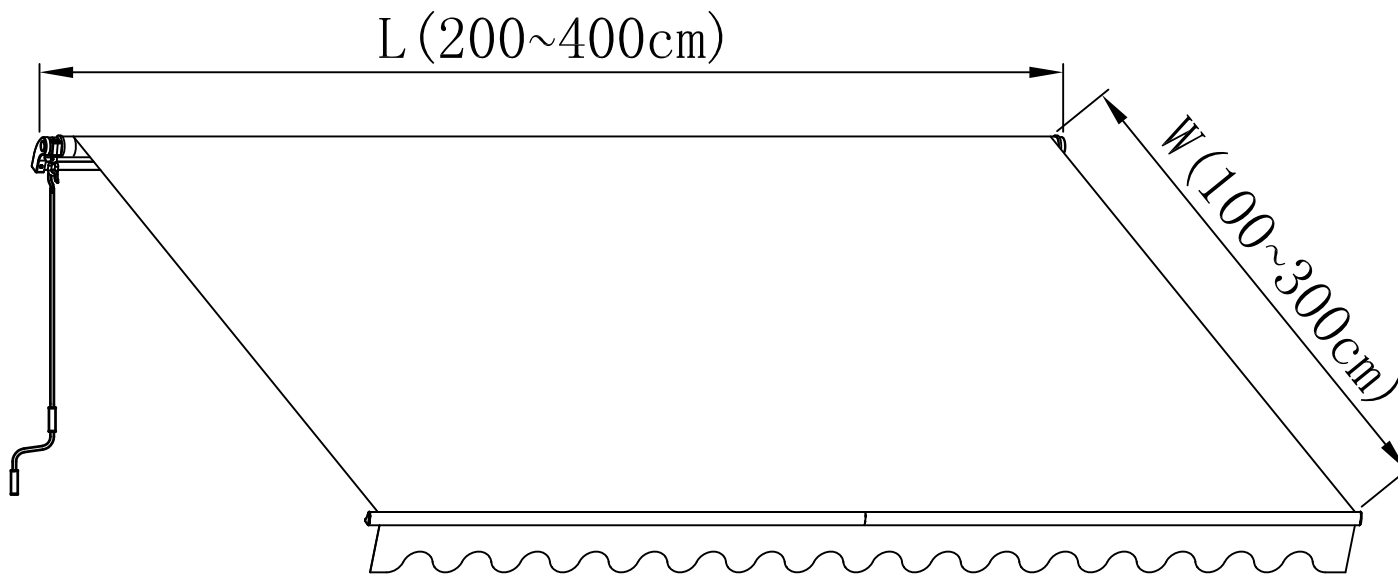







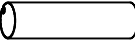






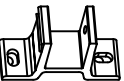














**DANCOVER<sup>®</sup>**

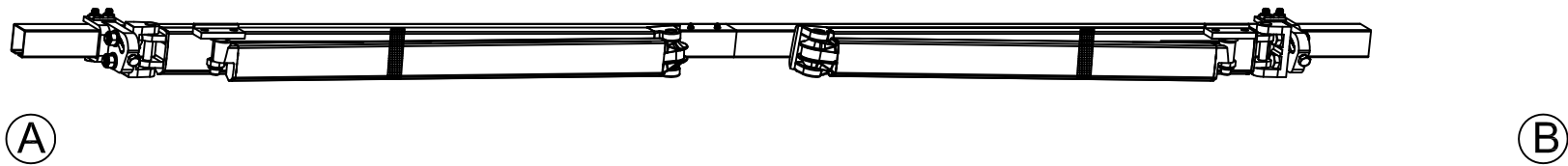
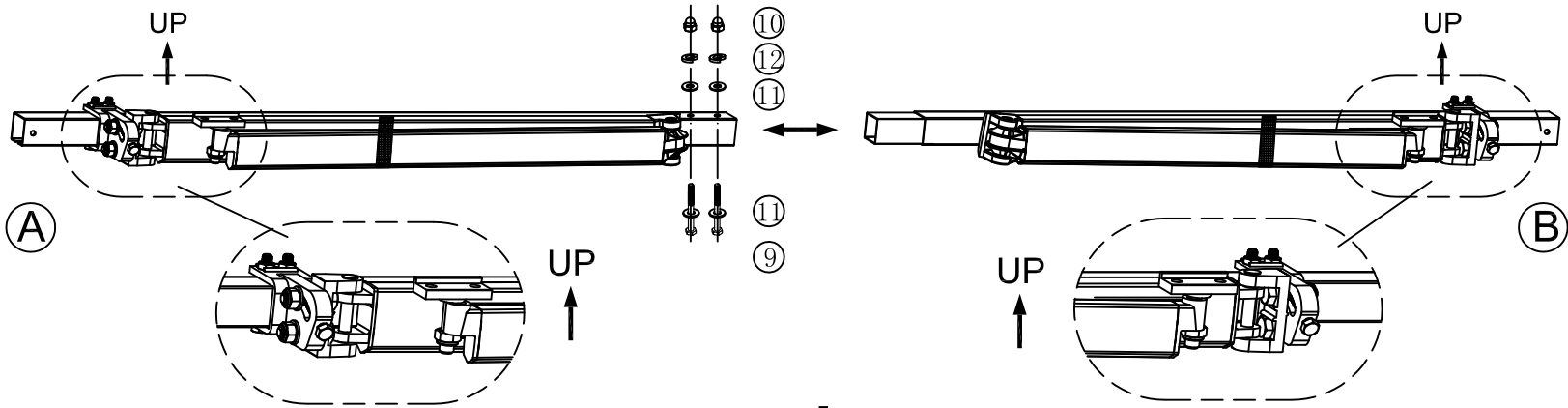
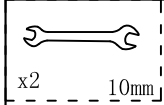


Manual  
for  
Retractable Awning w/Crank Handle



<p><b>A</b></p>  <p>x1</p>		<p><b>①</b></p>  <p>x1</p>	<p><b>⑪</b></p>  <p>M6 x4</p>
<p><b>B</b></p>  <p>x1</p>		<p><b>②</b></p>  <p>x1</p>	<p><b>⑫</b></p>  <p>x2</p>
<p><b>C</b></p>  <p>x1</p>		<p><b>③</b></p>  <p>x1</p>	<p><b>⑬</b></p>  <p>M6 x2</p>
<p><b>D</b></p>  <p>x1</p>		<p><b>④</b></p>  <p>x1</p>	<p><b>⑭</b></p>  <p>x1</p>
<p><b>E1</b></p>  <p>x1</p>		<p><b>⑤</b></p>  <p>x1</p>	<p><b>⑮</b></p>  <p>x2 (Length:200-350cm) x3 (Length:360-400cm)</p>
<p><b>E2</b></p>  <p>x1</p>		<p><b>⑥</b></p>  <p>x1</p>	<p><b>⑯</b></p>  <p>M8X60 x2 (Length:200-350cm) x3 (Length:360-400cm)</p>
<p><b>F</b></p>  <p>fabric x1</p>	<p><b>H</b></p>  <p>x3 plastic rope</p>	<p><b>⑦</b></p>  <p>x4</p>	<p><b>⑰</b></p>  <p>M8 x2 (Length:200-350cm) x3 (Length:360-400cm)</p>
<p><b>G</b></p>  <p>x1</p>		<p><b>⑧</b></p>  <p>st4. 2X13 x12+(2)</p>	<p><b>⑱</b></p>  <p>M10x100 x4 (Length:200-350cm) x6 (Length:360-400cm)</p>
		<p><b>⑨</b></p>  <p>M6X45 x2</p>	
		<p><b>⑩</b></p>  <p>M6 x2</p>	

Ⓐ x1	Ⓑ x1	⑨ x2	⑩ x2	⑪ x4	⑫ x2
------	------	------	------	------	------



ⓐ

x1

ⓓ

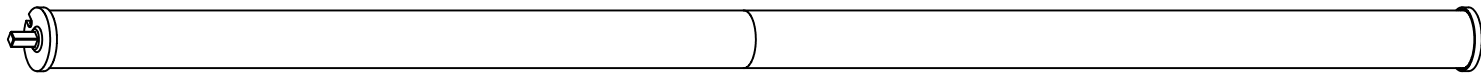
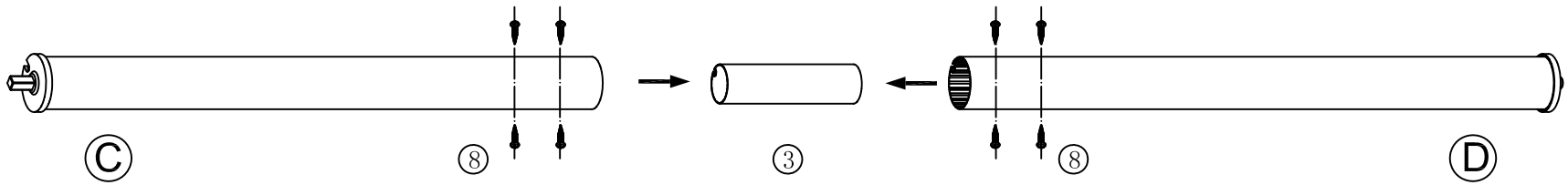
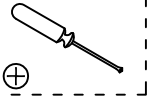
x1

③

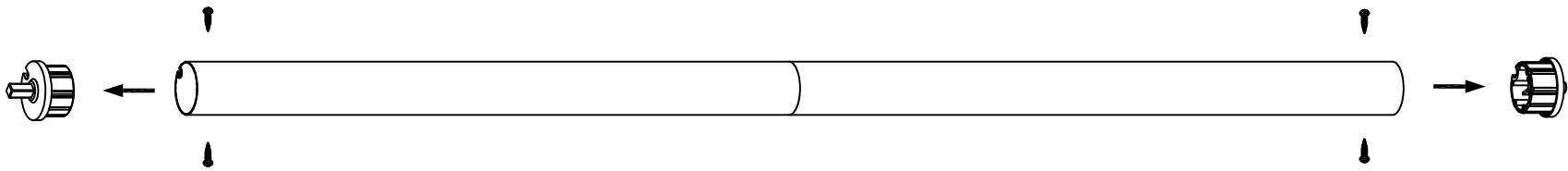
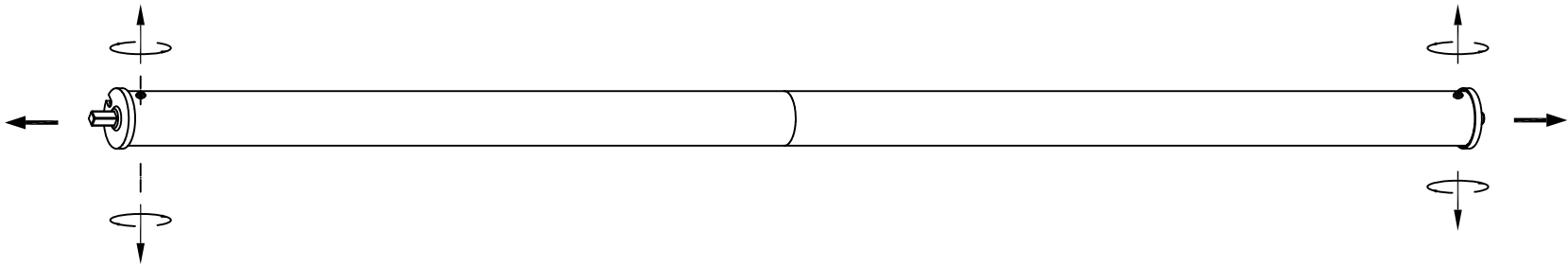
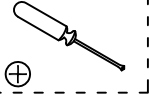
x1

⑧

x8

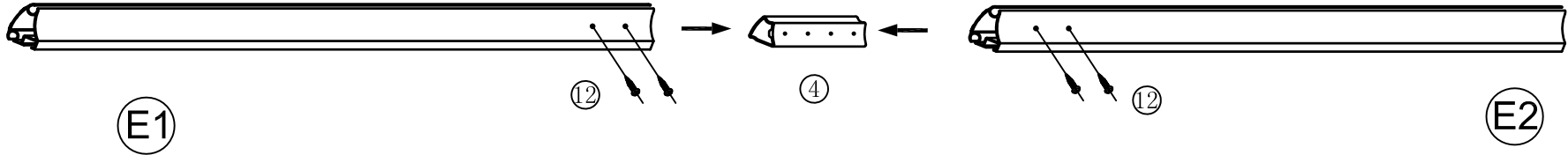
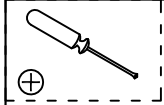


**2** x1



**3**

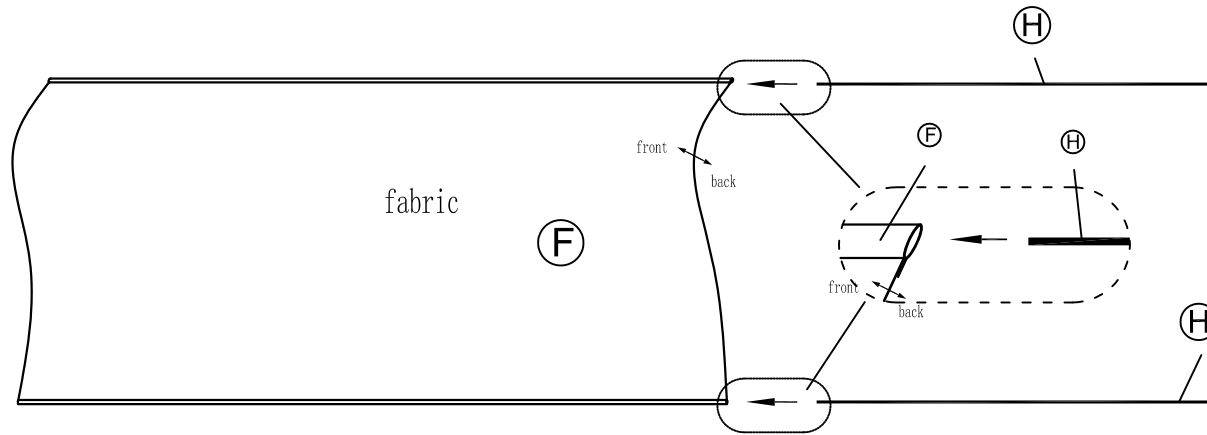
E1 x1	E2 x1	4 x1	8 x4
-------	-------	------	------



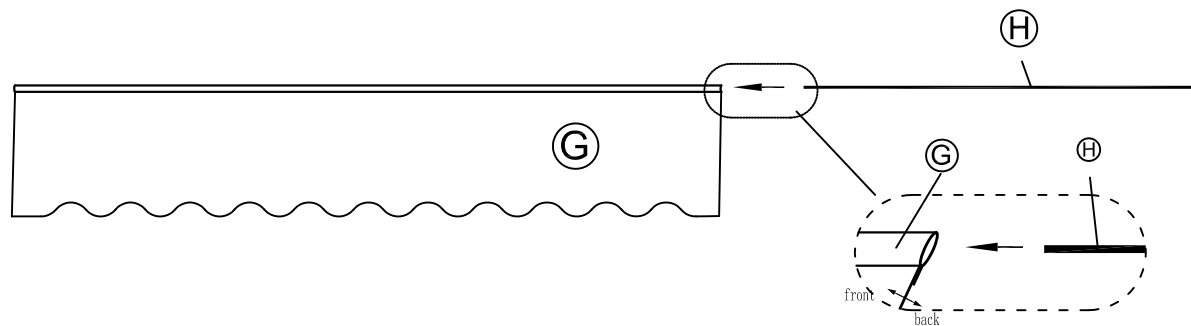
ⓕ x1

ⓖ x1

ⓓ x3



5.1

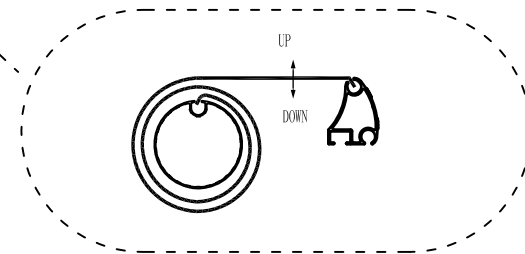
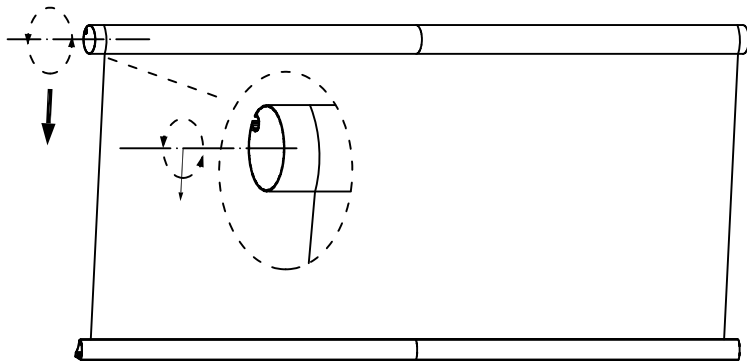
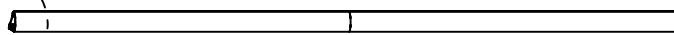
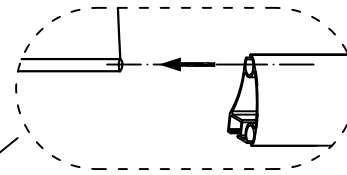
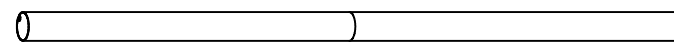
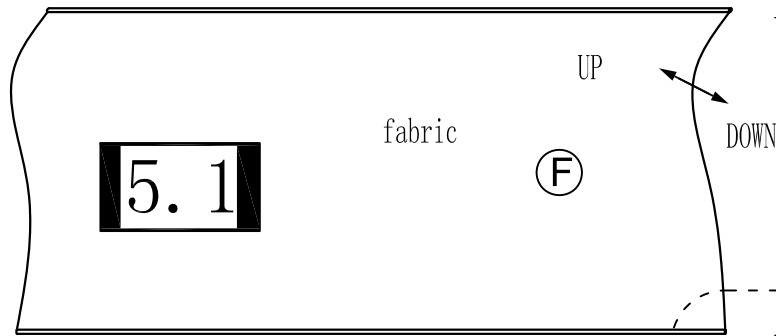


5.2



**5.1** ×1

**2** ×1



**6**

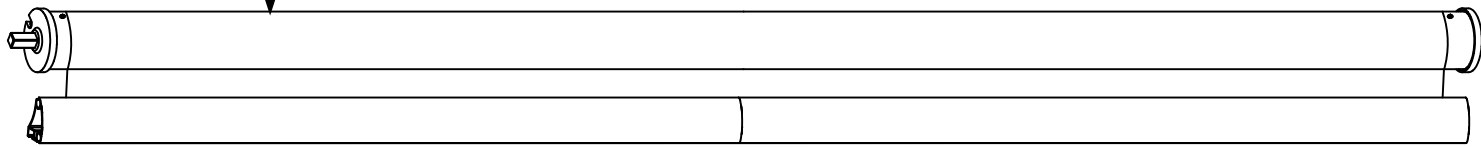
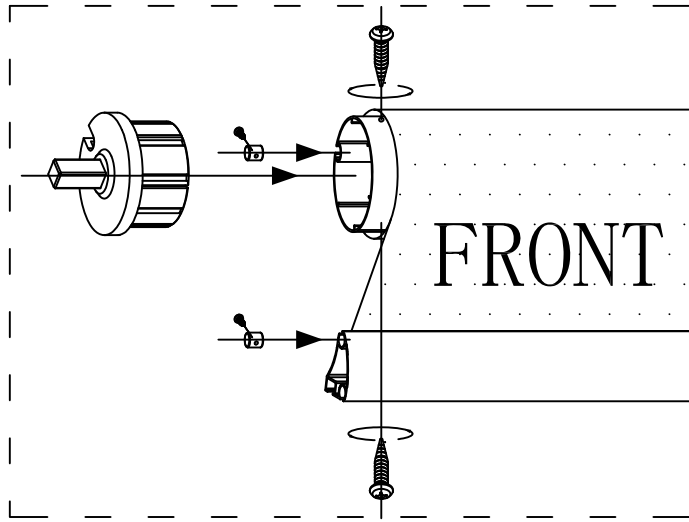
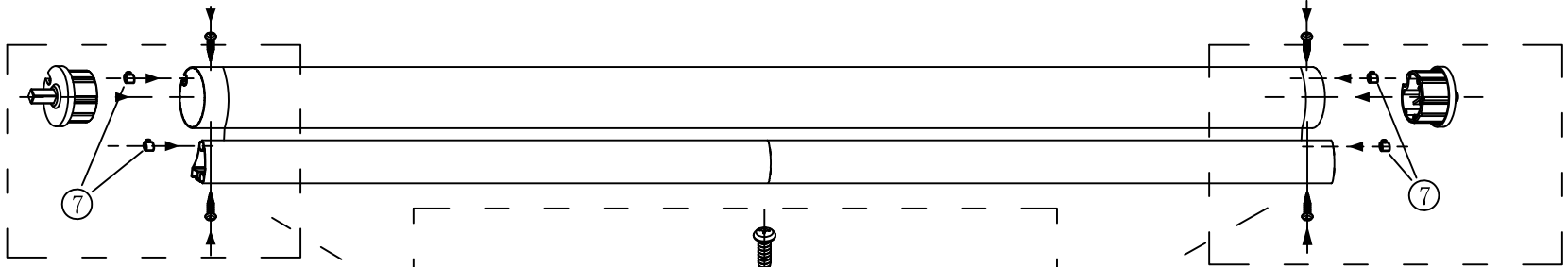
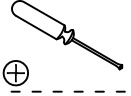
x1

**3**

x1

⑦

x4



**1**

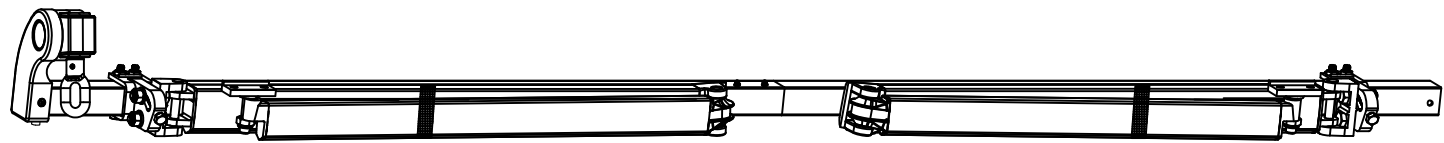
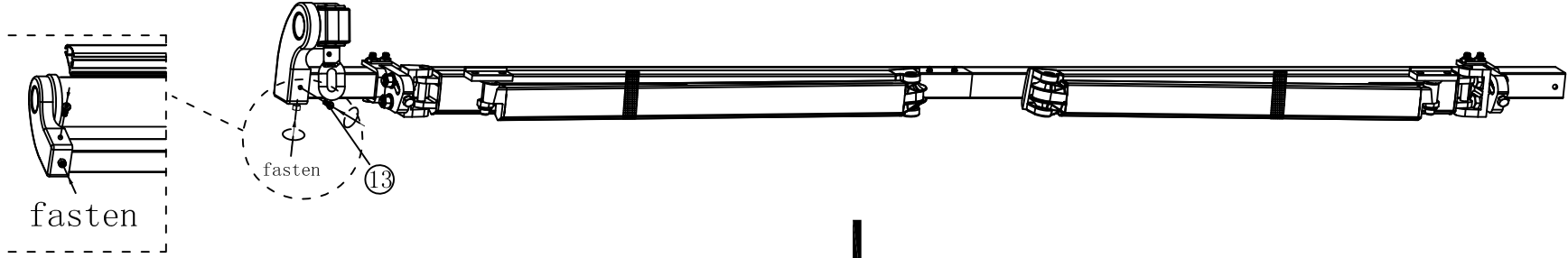
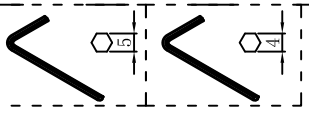
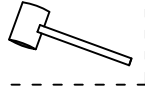
x1

①

x1

⑬

x1

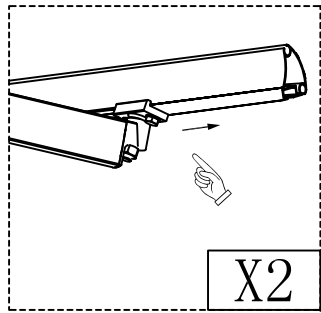
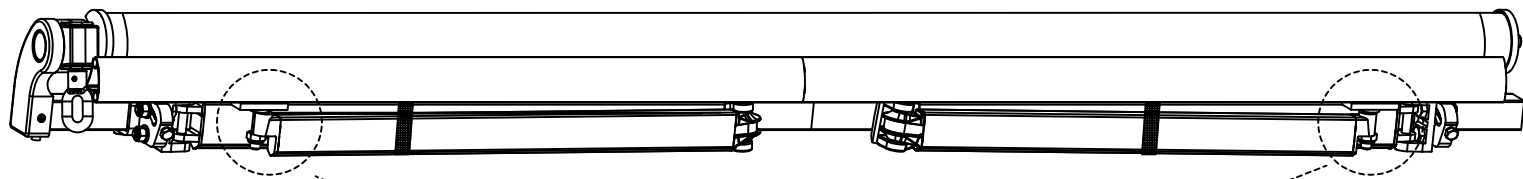
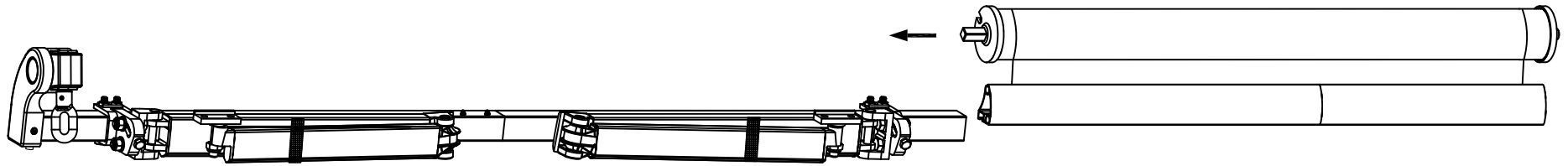


7

x1

8

x1



9

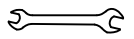
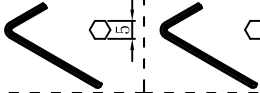
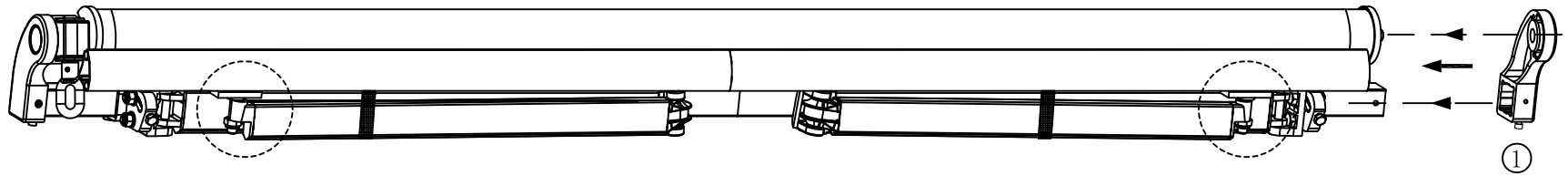
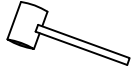
x1

2

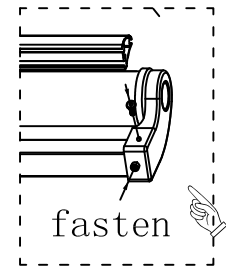
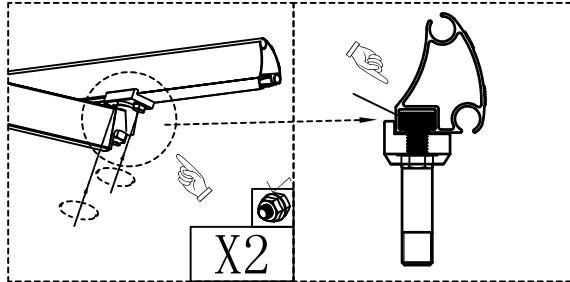
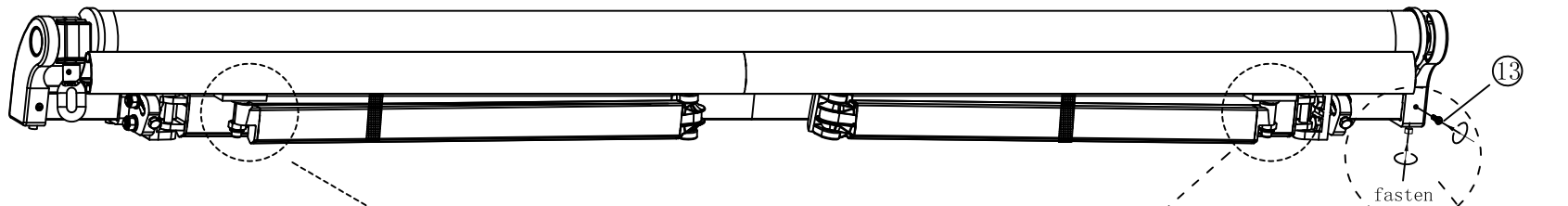
x1

13

x1



13mm



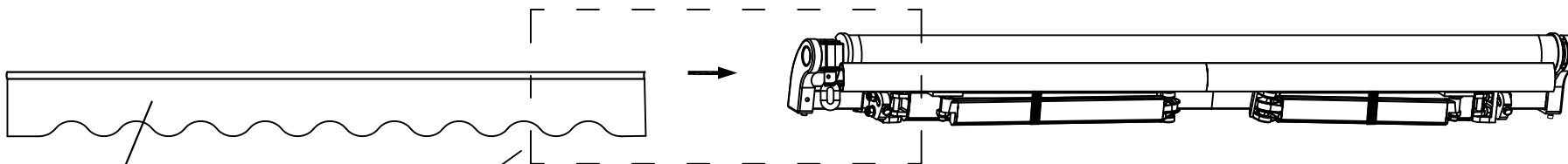
10

10

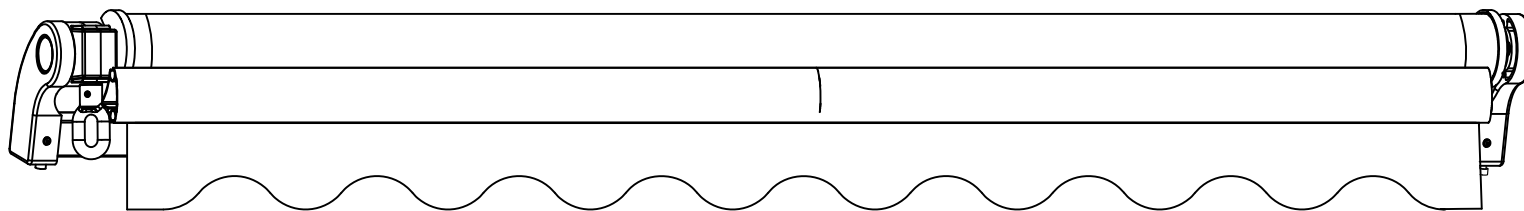
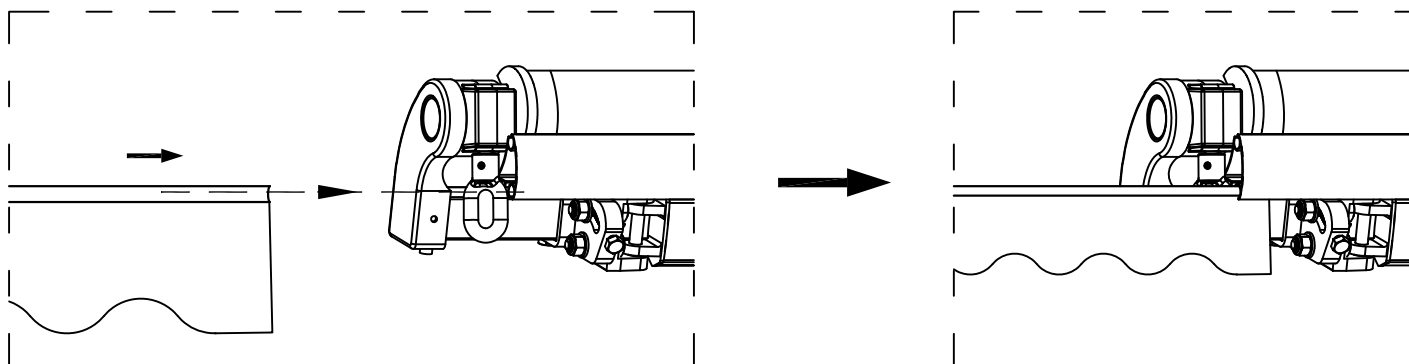
x1

5.2

x1



5.2



11

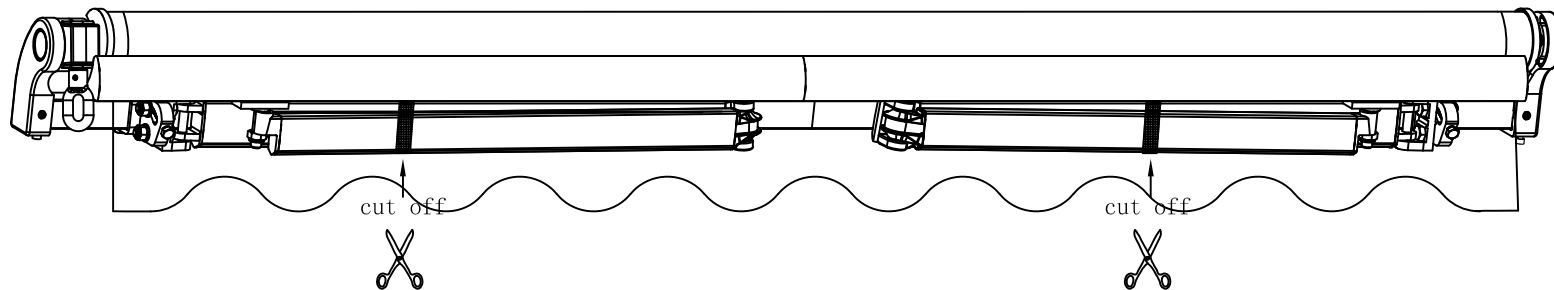
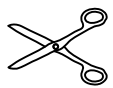
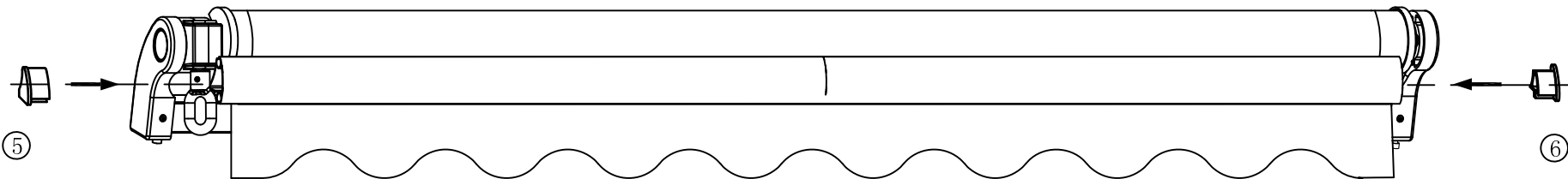
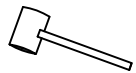
x1

5

x1

6

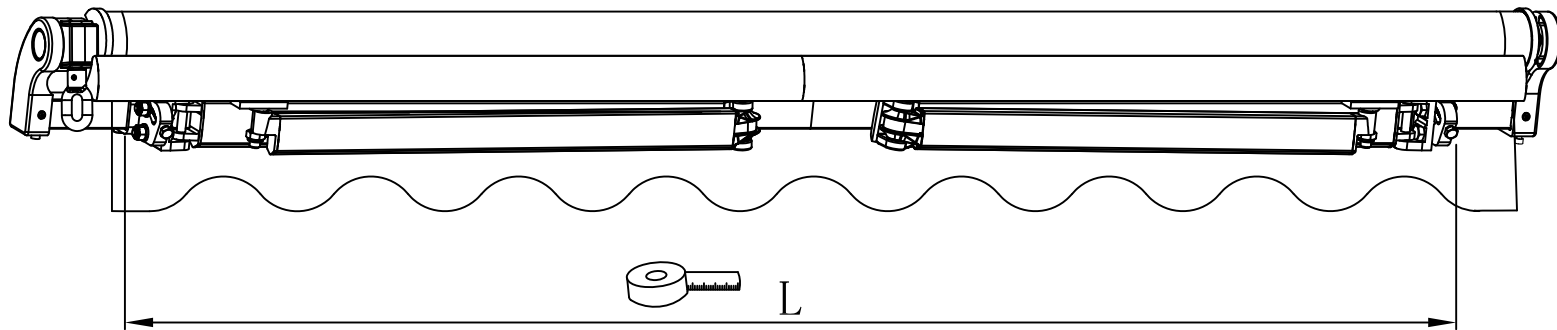
x1



OK, Assembly Complete!



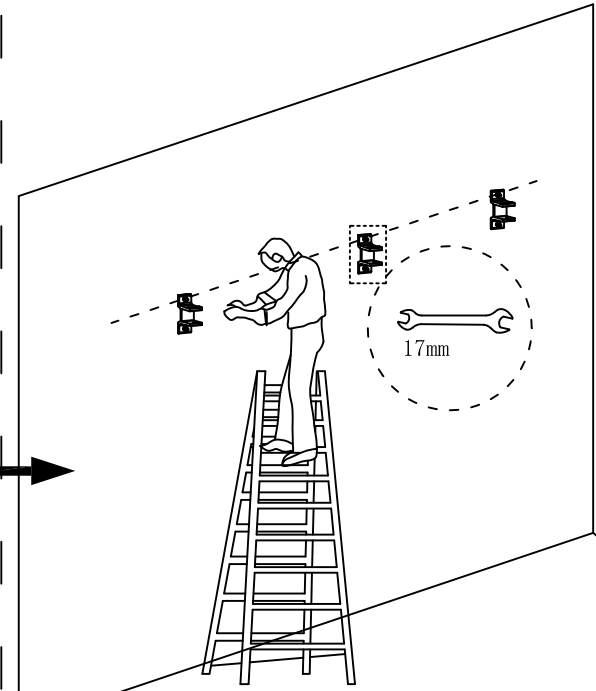
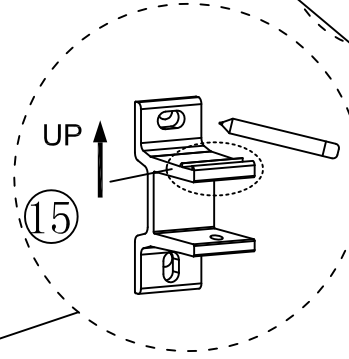
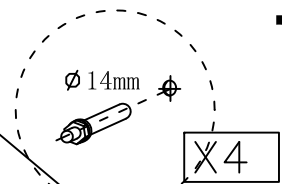
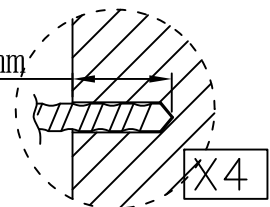
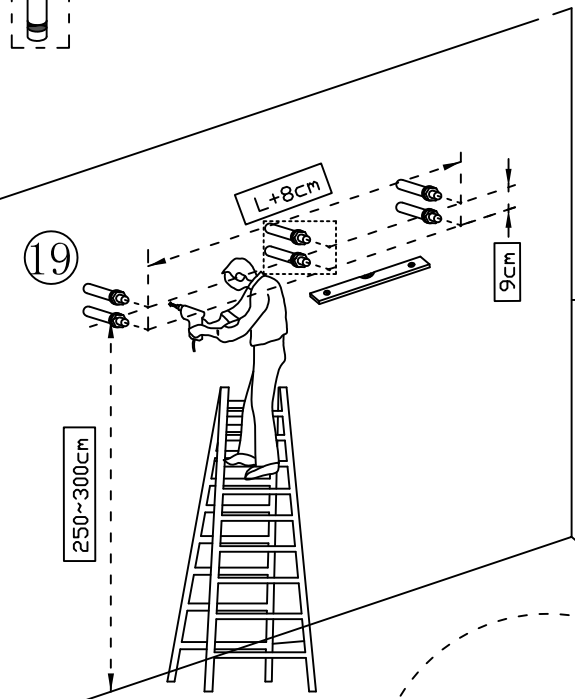
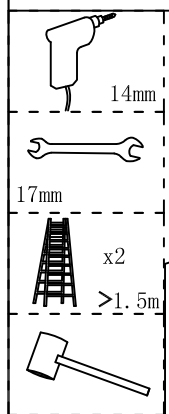
>5m





⑮ x2/x3

⑲ x4/x6

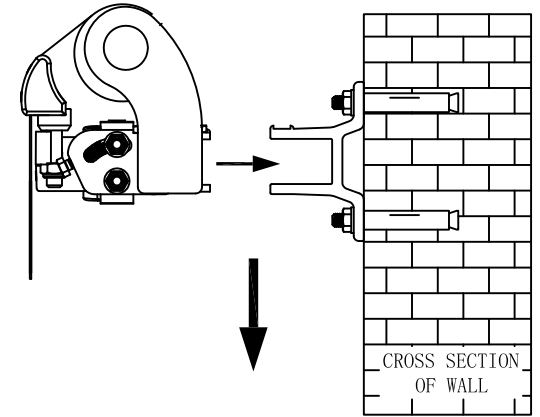
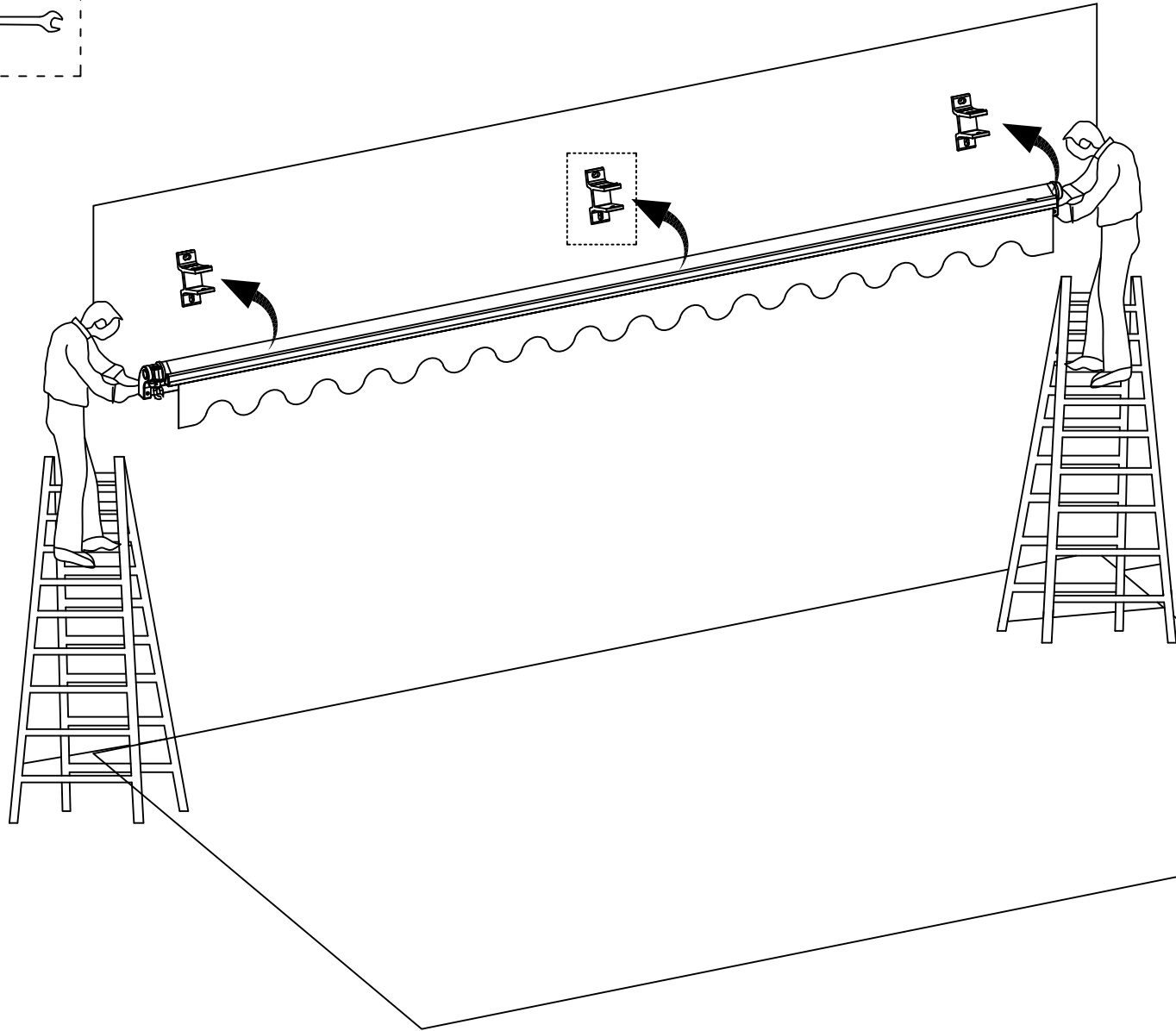


①⑥ x2/x3

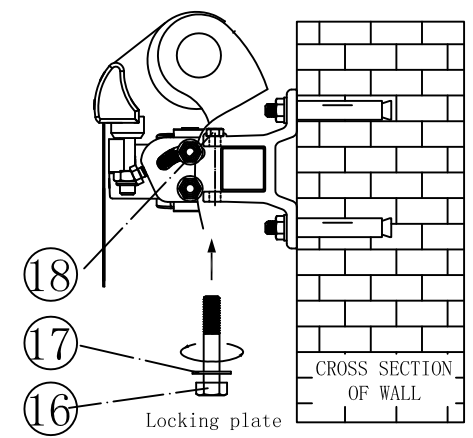
①⑦ x2/x3

①⑧ x2/x3

13mm



CROSS SECTION OF WALL



①⑧  
①⑦  
①⑥

Locking plate

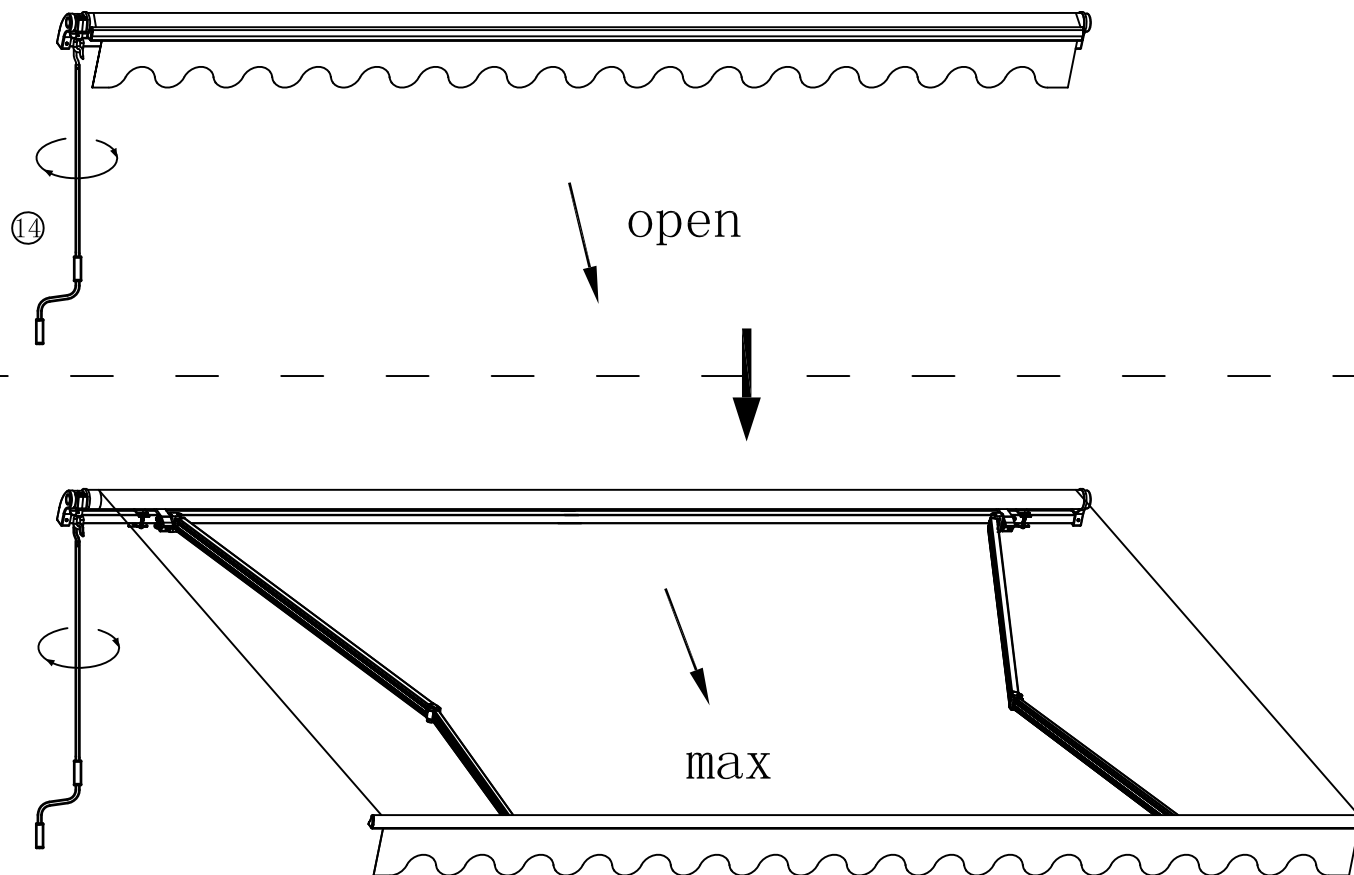
CROSS SECTION OF WALL

15

x1

14

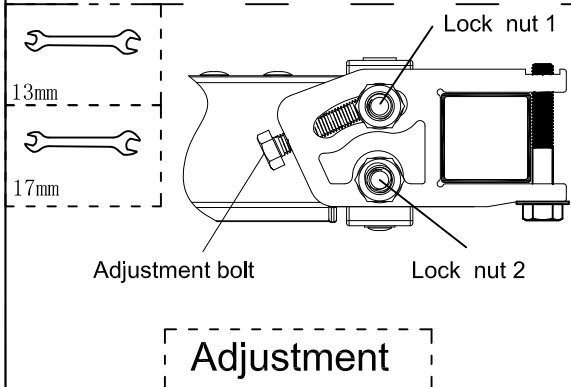
x1



16

Adjustment area

UP  
down



Front Bar  
UP

Lock nut 1, loosen  
Lock nut 2, loosen

Adjustment bolt  
fasten

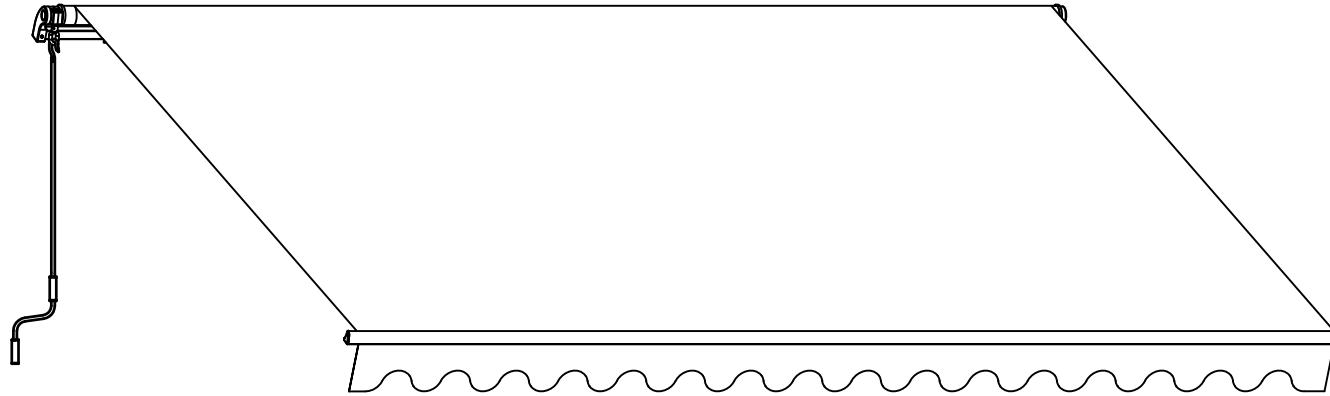
Lock nut 1, fasten  
Lock nut 2, fasten

Front Bar  
Down

Lock nut 1, loosen  
Lock nut 2, loosen

Adjustment bolt  
loosen

Lock nut 1, fasten  
Lock nut 2, fasten



OK, Thank You!

## Contact information

### Head office:

Dancover A/S  
Lyngelvej 16A, Nørre Herlev  
3400 Hillerød  
Denmark

For more information  
please visit:

[www.dancovershop.com](http://www.dancovershop.com)

## National contact

### Denmark:

[denmark@dancover.com](mailto:denmark@dancover.com)

### UK:

[uk@dancover.com](mailto:uk@dancover.com)

### Germany:

[germany@dancover.com](mailto:germany@dancover.com)

### France:

[france@dancover.com](mailto:france@dancover.com)

### Sweden:

[sverige@dancover.com](mailto:sverige@dancover.com)

### Finland:

[suomi@dancover.com](mailto:suomi@dancover.com)

### Poland:

[polska@dancover.com](mailto:polska@dancover.com)

### Luxembourg:

[luxembourg@dancover.com](mailto:luxembourg@dancover.com)

### Portugal:

[portugal@dancover.com](mailto:portugal@dancover.com)

### Spain:

[espana@dancover.com](mailto:espana@dancover.com)

### Italy:

[italia@dancover.com](mailto:italia@dancover.com)

### Switzerland:

[schweiz@dancover.com](mailto:schweiz@dancover.com)

### Austria:

[austria@dancover.com](mailto:austria@dancover.com)

### Norway:

[norge@dancover.com](mailto:norge@dancover.com)

### Nederland:

[nederland@dancover.com](mailto:nederland@dancover.com)

### Ireland:

[ireland@dancover.com](mailto:ireland@dancover.com)

### Belgium:

[belgique@dancover.com](mailto:belgique@dancover.com)