

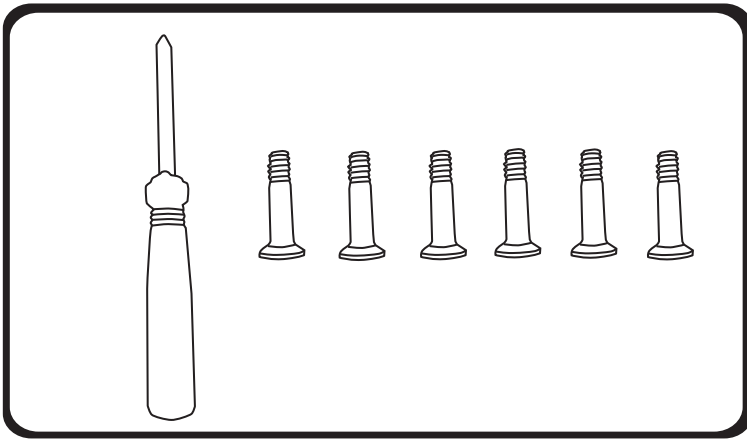
FLEX TENTS[®]



Manual
for
Assembly of Flext. Steel 4x8m

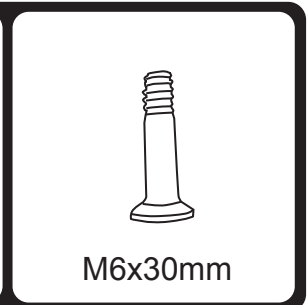
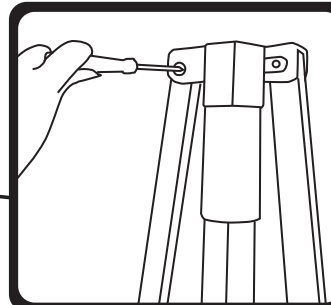
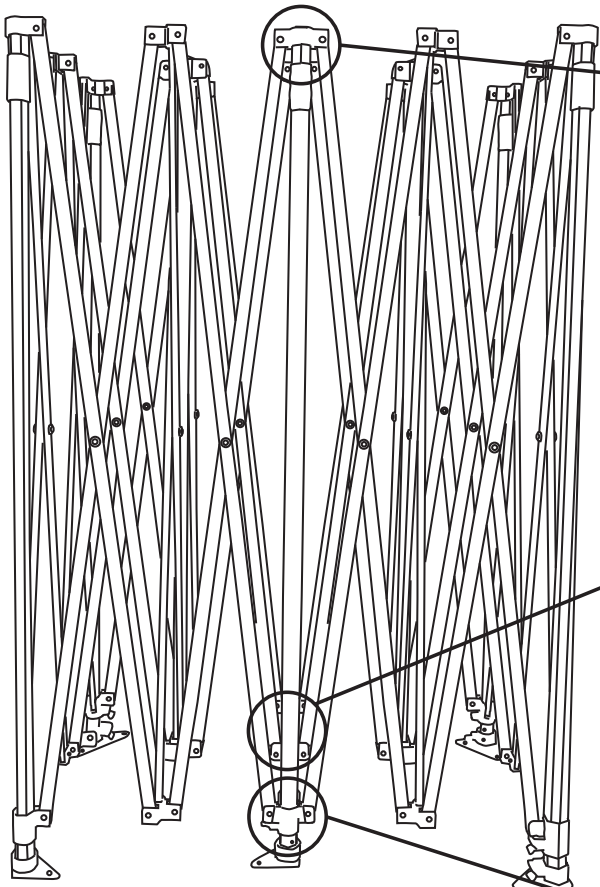
Installation Instruction

Flex. Steel 4x8m Steel Frame 40mm



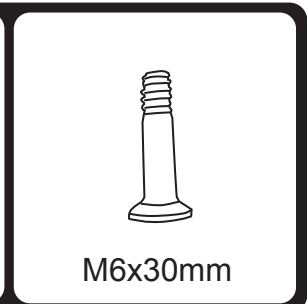
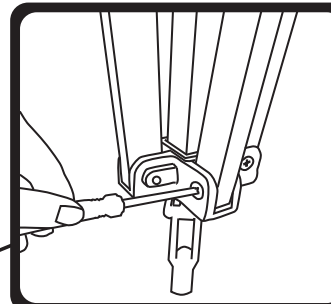
Tool bag included:

- 1pc Screwdriver
- 6pcs M6x30mm bolt



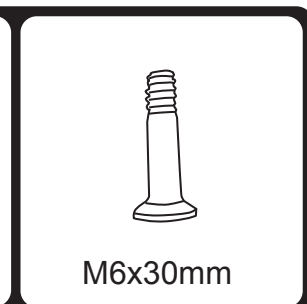
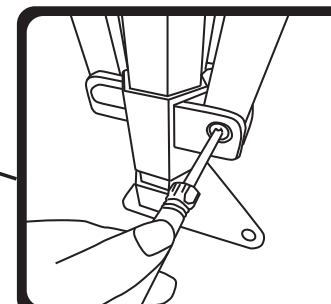
M6x30mm

2pcs M6x30mm bolt used for Top fitting for middle leg



M6x30mm

2 pcs M6x30mm bolt for Lower roofpole 4-way fitting



M6x30mm

2 pcs M6x30mm bolt for Fitting for middle leg

Contact information

Head office:

Dancover A/S
Lyngevej 16A, Nørre Herlev
3400 Hillerød
Denmark

For more information
please visit:
www.dancovershop.com

National contact

Denmark:

denmark@dancover.com

UK:

uk@dancover.com

Germany:

germany@dancover.com

France:

france@dancover.com

Sweden:

sverige@dancover.com

Finland:

suomi@dancover.com

Poland:

polska@dancover.com

Luxembourg:

luxembourg@dancover.com

Portugal:

portugal@dancover.com

Spain:

espana@dancover.com

Italy:

italia@dancover.com

Switzerland:

schweiz@dancover.com

Austria:

austria@dancover.com

Norway:

norge@dancover.com

Nederland:

nederland@dancover.com

Ireland:

ireland@dancover.com

Belgium:

belgique@dancover.com