

DANCOVER[®]



Manual
for
Greenhouse TITAN Arch 280



Dear customers!

If you decide to purchase a greenhouse, you will receive a product, produced with the greatest possible care, which carcass is made of special galvanized metal profiles of 1 mm thickness and is very sturdy.

Due to simple structure, a greenhouse is easily collected. The range of various accessories will provide you with freedom to implement your ideas.

We wish you a lot of joy and success purchasing our produced greenhouse.

Attention!

When assembling the carcass of a greenhouse and working with canal polycarbonate covering, please always wear protective gloves.

For the assembly of a greenhouse you will need the following tools:

- Hexagonal wrench of 8 mm diameter or an open-end wrench.
- Screwdriver with four-way ferrule or cordless screwdriver.
- Shovel for excavation of pits.
- Level – to measure the evenness.
- Rope - to measure the diagonal.
- Blade – to cut polycarbonate sheets.

If necessary, follow instructions of local construction. In the event of high winds or storm, please close windows or doors.

Before assembling a greenhouse, you should read the entire instruction at least one time and to get acquainted with separate sections and profiles. This is an important additional tool for you.

Check the delivery content according to the detalization of parts. Then sort out the profiles and store them separately.

During the assembly of a greenhouse, we recommend at first to tighten screws by hand – not tightly enough, in order to move profiles freely if necessary. Collected carcass of a greenhouse align with level and then tighten screws securely.



Installation instruction **PARTS LIST**

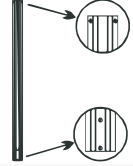
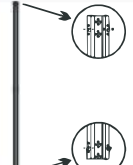
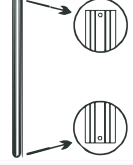
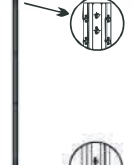
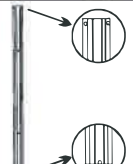
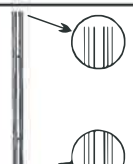
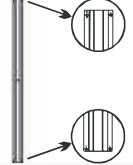
Greenhouse base pack

* THE NUMBER OF BOXES DEPENDS ON THE PURCHASED M² SIZE GREENHOUSE!

* Greenhouse area		6m ²	12m ²	18m ²	24m ²	30m ²	36m ²
Box 1/4	BASE Profiles packaging	1	1	1	1	1	1
Box 2/4	BASE Packaging of archs	1	1	1	1	1	1
Box 3/4	BASE Accessories packaging	1	1	1	1	1	1
Box 4/4	BASE Polycarbonate packaging	1	1	1	1	1	1
Box 1/4	EXTENSION Profiles packaging	—	—	1	2	3	4
Box 2/4	EXTENSION Packaging of archs	—	—	1	2	3	4
Box 3/4	EXTENSION Accessories packaging	—	—	1	2	3	4
Box 4/4	EXTENSION Polycarbonate packaging	—	—	1	2	3	4
TOTAL PACKAGING		4	4	8	12	16	20

TITAN Arch 280

Table NO.1

NR.	Name	Length (mm)	Photo	Box 1/4		Box 1/4
				BASE Profiles packaging		EXTENSION Profiles packaging
				Greenhouse area		2m EXTENSION
				6m ²	12m ²	
2300x120x60mm 40kg	2300x90x60mm 33,5kg	2030x50x60mm 12,5kg	Number in package (pcs.)			
NR. 5	Reinforcement in the front and at the end the bottom of sides	925		4	4	—
NR. 6	Reinforcement of arches-crossbars	2030		5	10	5
NR. 7	Reinforcement profile	1469		2	6	4
NR. 8	Doors -windows stand	2270		4	4	—
NR. 9	Side reinforcements of the front-raer part	900		4	4	—
NR. 10	Transvere stand of doors-windows	985		5	5	—
NR. 11	Reinforcement between side at the bottom	945		4	8	4

TITAN Arch 280

Table NO.1

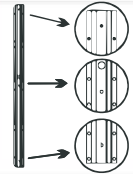
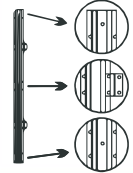
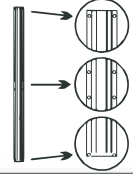
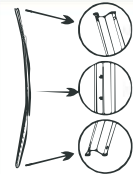
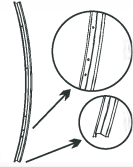
NR.	Name	Length (mm)	Photo	Box 1/4		Box 1/4
				BASE Profiles packaging		EXTENSION Profiles packaging
				Greenhouse area		2m EXTENSION
				6m ²	12m ²	
2300x120x60mm 40kg	2300x90x60mm 33,5kg	2030x50x60mm 12,5kg				
Number in package (pcs.)						
DOOR-WINDOW						
DOOR NR.1	Part of the door with loop	930		3	3	—
DOOR NR.2	Part of the door with handle	930		3	3	—
DOOR NR.3	Bottom/top part of the door (horizontal part)	885		9	9	—

Table NO.2

NR.	Name	Length (mm)	Photo	Box 2/4		Box 2/4
				BASE Packaging of archs		EXTENSION Packaging of archs
				Greenhouse area		2m EXTENSION
				6m ²	12m ²	
1800x310x70mm 27kg	1800x310x70mm 16kg	1800x310x70mm 8kg				
Number in package (pcs.)						
NR. 1	Short arch (top)	1820		3	5	2
NR. 2	Side arch (left, right, top)	1200		6	10	4

TITAN Arch 280

Table NO.2





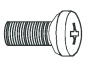
NR.	Name	Length (mm)	Photo	Box 2/4		Box 2/4
				BASE Packaging of archs		EXTENSION Packaging of archs
				Greenhouse area		2m EXTENSION
				6m ²	12m ²	
1800x310x70mm 27kg	1800x310x70mm 16kg	1800x310x70mm 8kg				
Number in package (pcs.)						
NR. 3	Side lower arch stand (left, right)	1235		6	10	4
NR. 4	Fixture to the ground	200		10	14	4

Table NO.3

NR.	Name	Length (mm)	Photo	Box 3/4		Box 3/4
				BASE Accessories packaging		EXTENSION Accessories packaging
				Greenhouse area		2m EXTENSION
				6m ²	12m ²	
200x300x100 mm 5kg	200x300x100mm 5kg	100x130x90mm 3,5kg				
Number in package (pcs.)						
NR. 12	Srews M5-12 with inlet capping	l-12		294	354	62
NR. 13	Srews M5-40	l-40		112	140	26
NR. 14	Srews M5-16 for polycarbonate fixation to plates and angles	l-16		10	10	—

TITAN Arch 280

Table NO.3




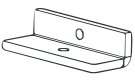

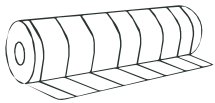
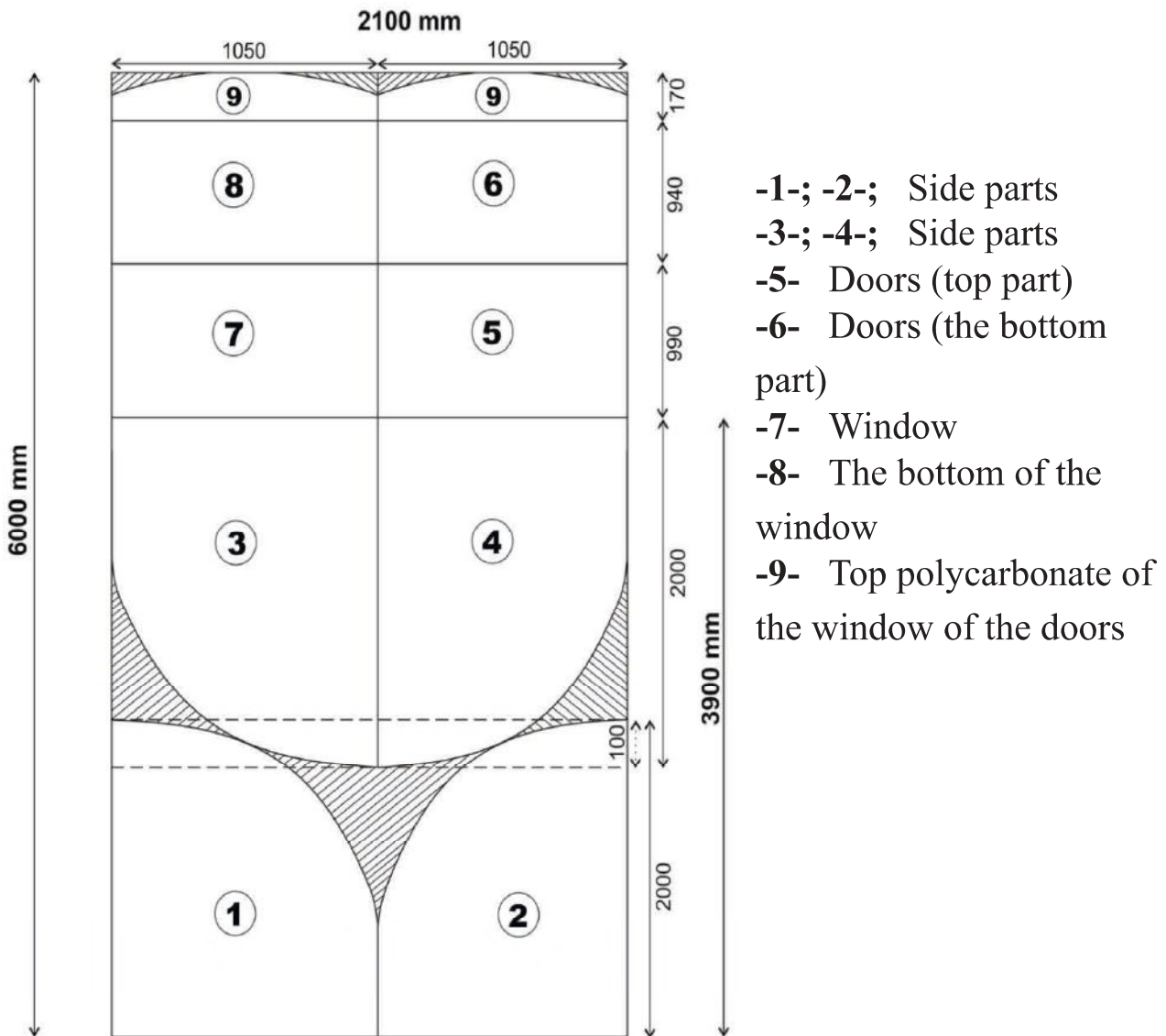
NR.	Name	Length (mm)	Photo	Box 3/4		Box 3/4
				BASE		EXTENSION
				Accessories packaging		Accessories packaging
				Greenhouse area		2m EXTENSION
6m ²	12m ²					
				200x300x100mm 5kg	200x300x10mm 5kg	100x130x90mm 3,5kg
Number in package (pcs.)						
NR. 15	Screws M5			416	504	88
NR. 16	Interim transparent			120	144	24
NR. 17	Handle			3	3	—
NR. 18	Fixation angles of polycarbonate and stands			22	22	—
NR. 19	Protective sealing tape of plates for doors and ends	m		16	16	—

Table NO.4

Name	Length (mm)	Photo	Box 4/4		Box 4/4	
			BASE		EXTENSION	
			Polycarbonate packaging		Polycarbonate packaging	
			Greenhouse area		2m EXTENSION	
6m ²	12m ²					
				2100x700x700mm 24,57kg	2100x700x700mm 16,38kg	2100x600x600mm 8,19kg
Number in package (pcs.)						
Polycarbonate	2100 x 6000 mm		2	3	1	

Polycarbonate cutting

Do not mix polycarbonate sides! Fix the set side on the outside, which has a protective layer against UV rays. The protective layer against UV rays is coated with a tape with notes or other specified information, the other side (covered on the inside) is covered by protective transportation film. If necessary, it is recommended to cut sheets with electric circular saw, hand saw with fine teeth or sharp knife. Prior to installation, be sure to remove all tapes! WHEN CUTTING BE SURE TO WEAR GLOVES!



If you have received large sheets 2,10x6,00 m and additionally 1,05x2,00 m, in such case there is no need to cut large sheets according the provided scheme. Large sheets of 2,10x6,00 m are used for roof and small sheets of 1,05x2,00 m are used for ends, doors and windows. Follow the dimensions provided in the table of polycarbonate dimensions.

Installation procedure:

1. Assembly of front and rear parts of a greenhouse. Assembly of arches. The most convenient way to assemble front and rear arch by laying them on the ground. Attach fixtures to the ground (NR.4) to the lower parts of side lower arch stands (NR. 3), and to the top parts – side arches (NR. 2) from both sides, and on the top in the middle section to side arches – short top arch (NR. 1) with screws M5-12 (12) and screws (15). ***VIEW FIGURE 1***

2. With screws M5-12 (12) and screws (15) attach fixation angles of stands (18) to the assembled arches. ***VIEW FIGURE 2***

3. To the overhead fixation angles of stands (18) screw on doors-windows stand (NR. 8) with screws M5-12 (12) and screws (15). To the lower parts of windows stands of the bottom door (NR. 8) screw on fixtures to the ground (NR.4) with screws M5-12 (12) and screws (15). ***VIEW FIGURE 3***

4. Assembly of the front part of a greenhouse. Screw on doors-windows transverse stands (NR. 8) with screws M5-12 (12) and screws (15) between doors-windows stand (NR. 8). At the sides of doors-windows stand (NR. 8) screw on side reinforcements of the front-rear part (NR. 9) and reinforcements at the bottom of sides (NR. 5) with screws M5-12 (12) and screws (15).

NOTE. The lower doors-windows transverse stand (NR. 8) is fixed one hole below than fixtures at the bottom of sides and holds only one screw M5-12 and screw (15). *VIEW FIGURE 4*

To the arch according to the provided drawing (5) fix reinforcement of arches – stands (NR.6) and reinforcement between side arches at the bottom (NR. 11) with screws M5-12 (12) and screws (15). ***VIEW FIGURE 5***

Starting from the bottom, fix the second arch to reinforcement of side arches (NR. 11) and reinforcement of arches – crossbars (NR. 6) with screws M5-12 (12) and screws (15), which can be assembled by parts, screwing to the current frame, or by screwing in advance assembled arch (sequence in paragraph Nr. 1). The assembled fragment from two arches with fixtures raise from the ground and put up vertically. ***VIEW FIGURE 6***

5. Assembly of the rear part of a greenhouse. Screw on transverse stand of doors-windows (NR. 10) with screws M5-12 (12) and screws (15) between doors-windows stand (NR. 8). At the sides of doors-windows stands (NR. 8) screw on with screws M5-12 (12) and screws (15) side reinforcements of the front-rear part (NR. 9) and reinforcements at the bottom of sides (NR. 5). ***VIEW FIGURE 7.***

To the arch according to the presented drawing (5) screw on with screws M5-12 (12) and screws (15) reinforcements of arches – crossbars (NR. 6) and reinforcements between side arches at the bottom (NR. 11). ***VIEW FIGURE 8.***

Starting from the bottom, fix the second arch to reinforcement of side arches (NR. 11) and reinforcement of arches – crossbars (NR. 6) with screws M5-12 (12) and screws (15),

which can be assembled by parts, screwing to the current frame, or by screwing in advance assembled arch (sequence in paragraph Nr. 1). The assembled fragment from two arches with fixtures raise from the ground and put up vertically. **VIEW FIGURE 9.**

6. The assembled front and rear parts connect together uniting one with another through reinforcement of arches – crossbars (NR. 6). Insert the last fifth arch, which can be assembled in parts, tightening to the existing carcass, or by screwing in advance assembled arch (sequence in paragraph Nr. 1). The arch and fixtures are collated and fixed with screws M5-12 (12) and screws (15) through all three parts. **VIEW FIGURE 10.**

For greater than 12m² (4 meters) greenhouse BALTIC LT greenhouse extension kits are used, each of which is equal to 2 meters.

If the length of a greenhouse is 6 meters – than a greenhouse is connected as follows: 4m + 2m extension.

If the length of a greenhouse is 8 meters – than a greenhouse is connected as follows: 4m + 2m extension + 2m extension.

If the length of a greenhouse is 10 meters – than a greenhouse is connected as follows: 4m + 2m extension + 2m extension + 2m extension. And etc. **VIEW extension drawing (p.43).**

7. Installation of greenhouse fixtures. Reinforcement profiles (NR. 7) are inserted in each inner arch on the left and right sides. They are fixed at the bottom with screws M5-12 (12) and screws (15) through all three parts, and at the top with M5-12 (12) and screws (15). **VIEW FIGURE 11.**

8. Fixation angles of polycarbonate (18) are screwed on to rear parts of reinforcement of arches – crossbars (NR. 6) at the front and end. **VIEW FIGURE 12.**

9. Excavate pits (25 cm in diameter, 40 cm of deepness) for embedding of side lower arch stands (NR. 3) over the entire ground perimeter. Place the collected greenhouse carcass into the excavated pits, measure the diagonal with a rope (diagonals should be equal), check the camber of side arches (they have to be vertical) and tighten the carcass of a greenhouse.

10. After assembling the carcass part of a greenhouse, cut the polycarbonate according to the provided dimensions and attach it to the carcass. Fix cut polycarbonate sheets (polycarbonate cutting scheme -1-, -2-, -3-, -4-, -8-, -9-) at designated areas to corners of polycarbonate and stand reinforcement with screws M5-20 (14), screws M5 (15) and interims (16). To doors-windows stand and crossbar (NR. 8, NR.10) as well as to side reinforcements of the front-rear part (NR. 9 and NR. 5) with screws M5-40 (13), screws M5 (15) and interims (16). **NOTE: if side parts of the polycarbonate protrude above the carcass part of arches, align them by cutting equally.**

NOTE: POLYCARBONATE SHEETS ARE LAID WITH UV PROCESSED SIDE TO THE SUN (THE PROTECTIVE TAPE WITH AN INSCRIPTION OUTSIDE). IT IS IMPORTANT TO REMOVE POLYCARBONATE PROTECTIVE TAPES FROM BOTH SIDES PRIOR TO INSTALLATION ON THE CARCASS. IT IS IMPORTANT NOT TO MIX WHICH SIDE IS PROCESSED WITH UV PROTECTIVE LAYER. VIEW FIGURE 13-14.

11. Put on an aluminum foil (19) on the open ends of the channel-polycarbonate on the top of side sheet of polycarbonate and only after it put on the top polycarbonate part (10 – 2100x6000 mm). ***VIEW FIGURE 15.***

12. Upper-solid polycarbonate sheets -10- place from a bottom to the top, starting from one side. The polycarbonate is fixed with screws M5-40 (13), screws (15) and interims (16). One arch band has 4 (four) marked fixation points. Please fix **EXACTLY** only at designated fixation points. The other side has to be fixed from the top to bottom at designated and marked 4 (four) fixation points. If the solid sheet of the polycarbonate is too long, cut it so it would equally touch the bottom of reinforcement between the side arches (NR. 11). The next top-solid -10- polycarbonate sheet change on already attached sheet and tighten in the same principle **ONLY** at designated areas. At the front and at the end polycarbonate sheets has to protrude for 5-7 cm. ***VIEW FIGURE 16.***

13. Assembly of doors-windows. All the parts presented in set of doors part connect into a square (DOORS NR. 1, DOORS NR. 2, DOORS NR. 3) by screws M5-12 (12) and screws M5 (15). ***VIEW FIGURE 17.***







14. Part of the doors with loops (DOORS NR. 2) screw on to doors-windows stand (NR. 8) with screws M5-12 (12) and screws M5 (15) (Fig. 23).

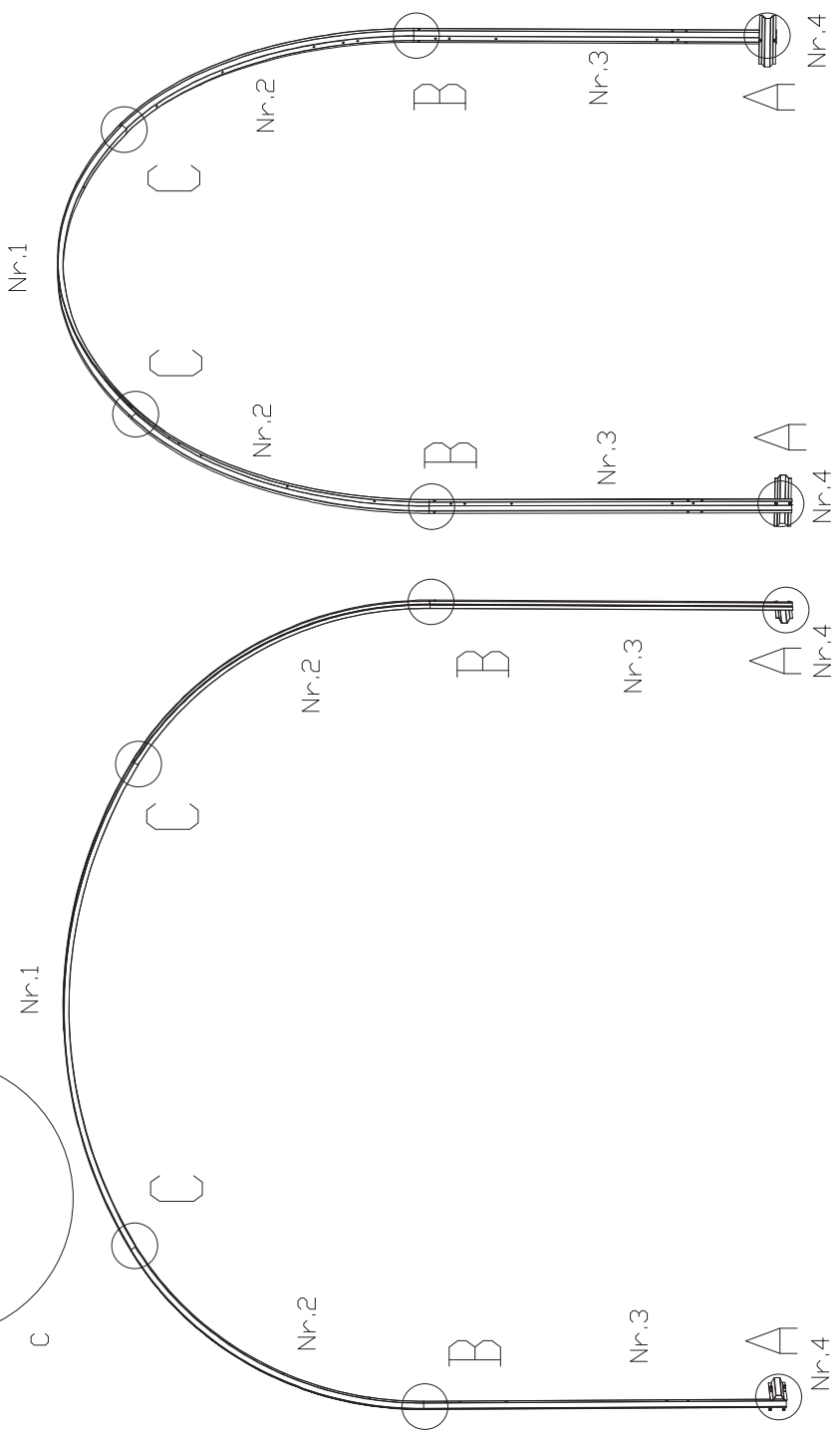
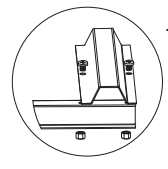
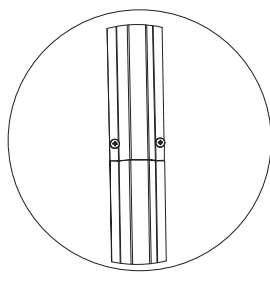
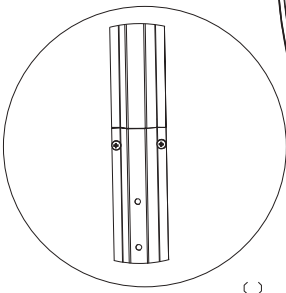
NOTE: Doors are attached to doors stands when doors are fully opened and loop stretched out into the outside of a hole, through the canal polycarbonate. *VIEW FIGURE 18.*****

15. According to the polycarbonate cutting scheme cut the polycarbonate (-5-; -6-; -7-). Cut polycarbonate parts of the window of doors put on **ONLY** when loops of doors are fixed to the carcass. Polycarbonate sheets of doors-window are fixed to the frame of doors-window with screws M5-40 (13) and screws M5 (15) and interims (16). The upper ends of the polycarbonate of doors-window seal with a protective sheet tape (19). Connect handles (17) already at the prepared doors-window areas. ***VIEW FIGURE 19.***

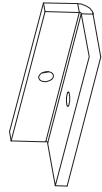
1

Rear and front
2X

Nr.1		1x	
Nr.2		2x	
Nr.3		2x	
Nr.12		Nr.12 12x	
Nr.15		12x	
Nr.4			2x



Nr.18



6x

Nr.15



6x

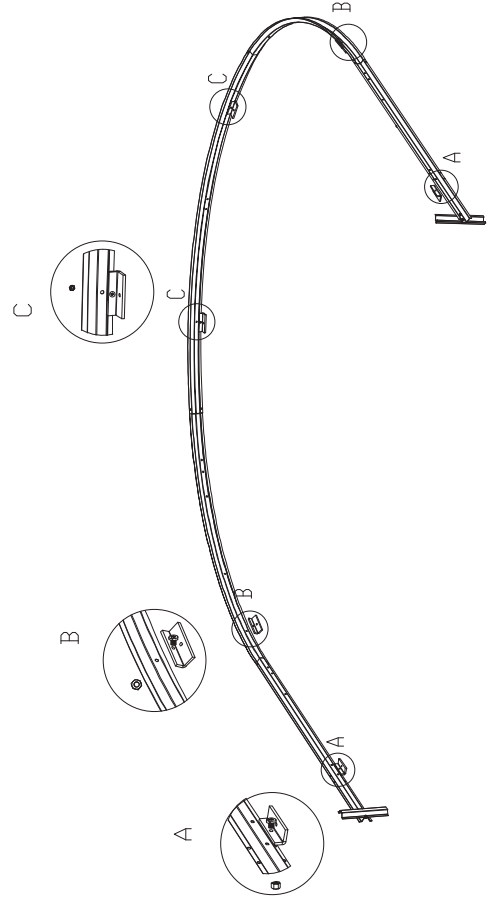
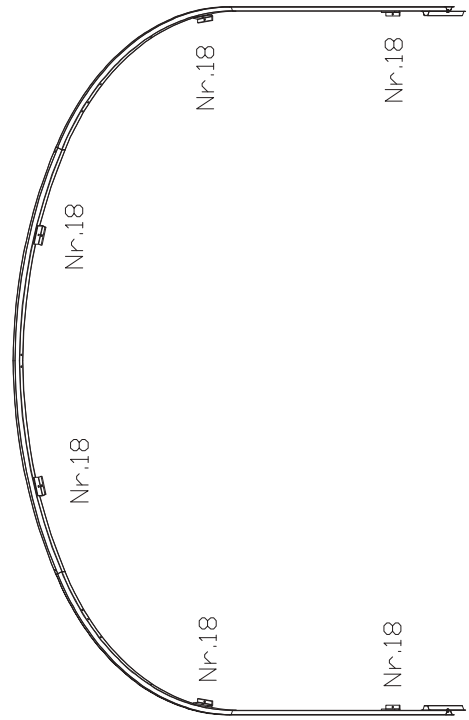
Nr.12



6x



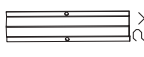
Rear and front 2X


2

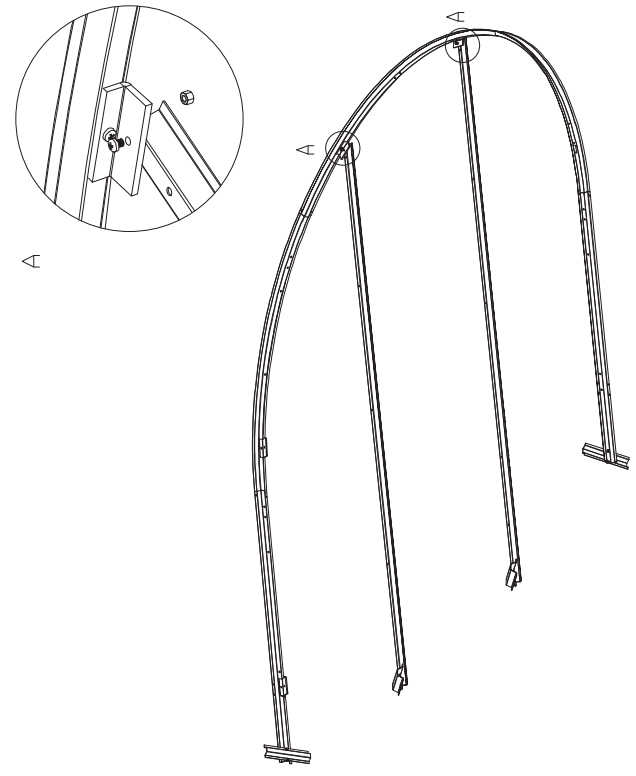
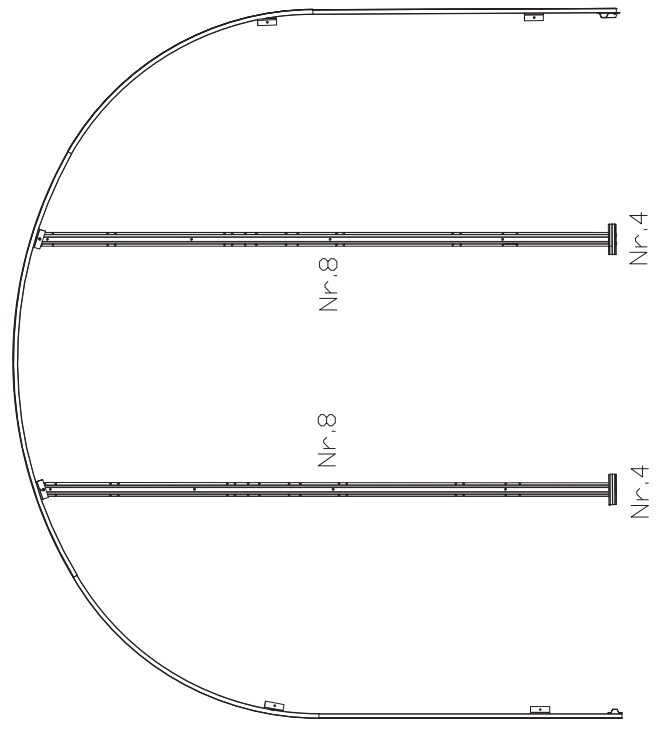


3

Rear and front
2X






Nr.15	Nr.12	Nr.4
 6x	 6x	 2x

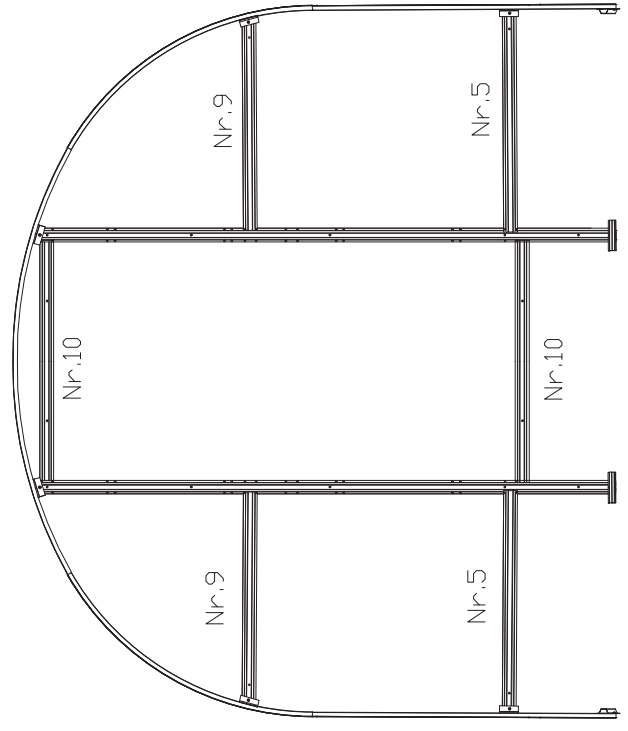
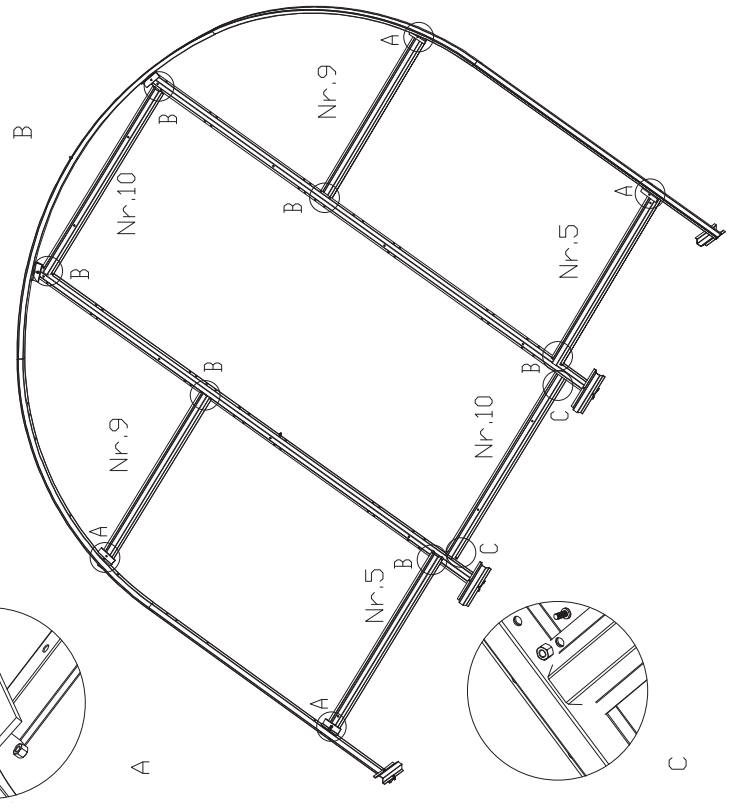
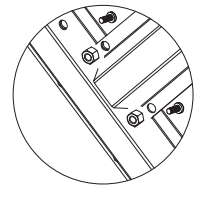
Nr.8		2x
------	---	----



4

Front
1X

Nr.10		2x
Nr.9		2x
Nr.5		2x
Nr.15		18x
Nr.12		18x

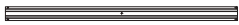


Nr.6



5x

Nr.11



2x

Nr.12



14x

Nr.15

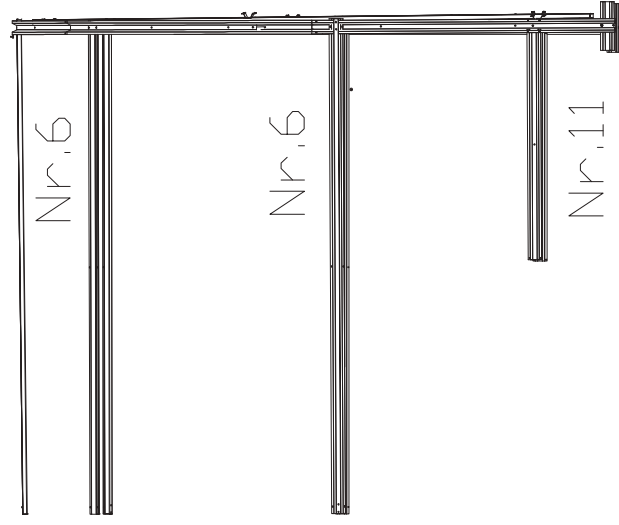


14x

Front
1X

5

Nr.6



Nr.6

Nr.6

Nr.11

Nr.6

Nr.6

Nr.6

Nr.6

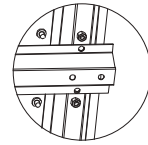
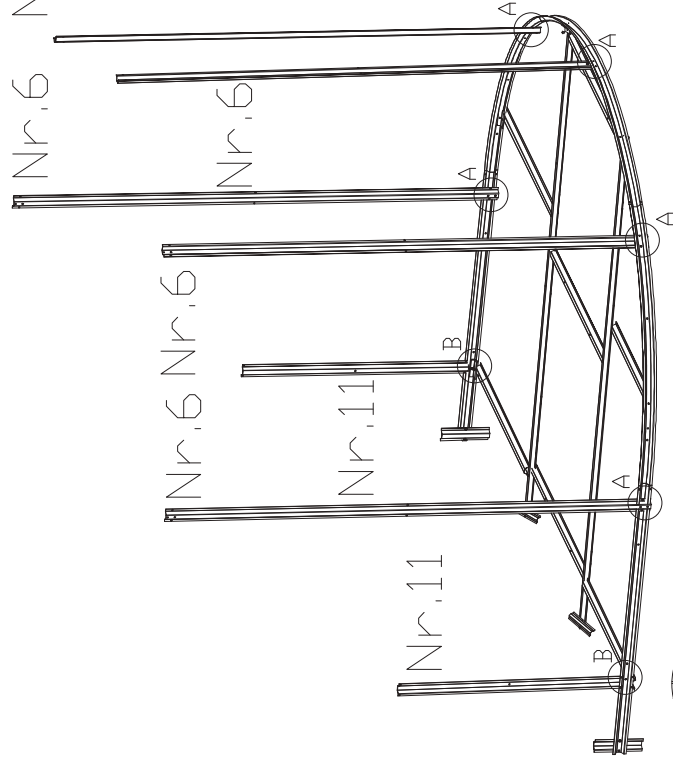
Nr.6

Nr.6

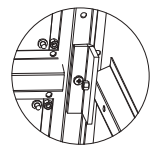
Nr.6

Nr.11

Nr.11









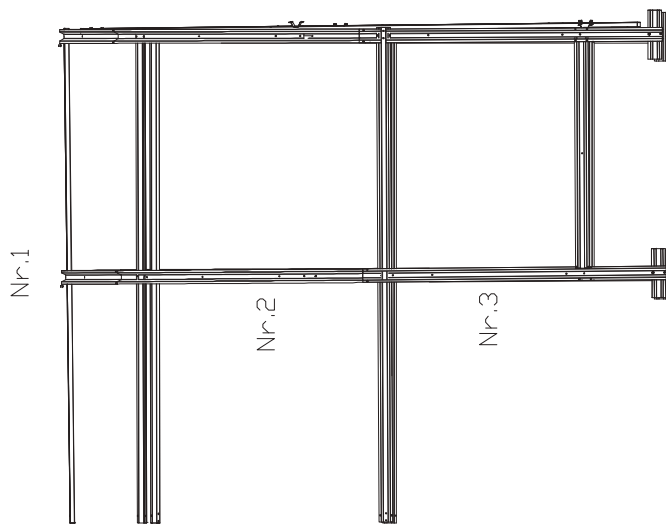
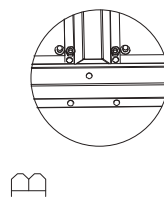
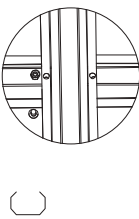
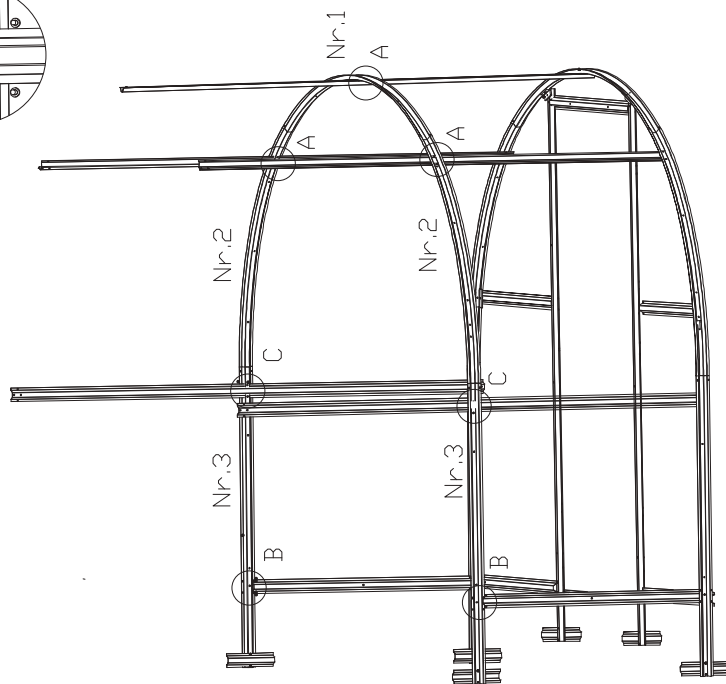
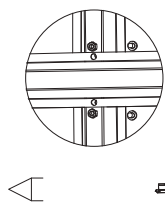
A



B

Front 1X

Nr.1		1x
Nr.2		2x
Nr.3		2x
Nr.12	 16x	2x
Nr.15	 16x	
Nr.4		 2x



Nr.10



3x

Nr.9



2x

Nr.5



2x

Nr.12



24x

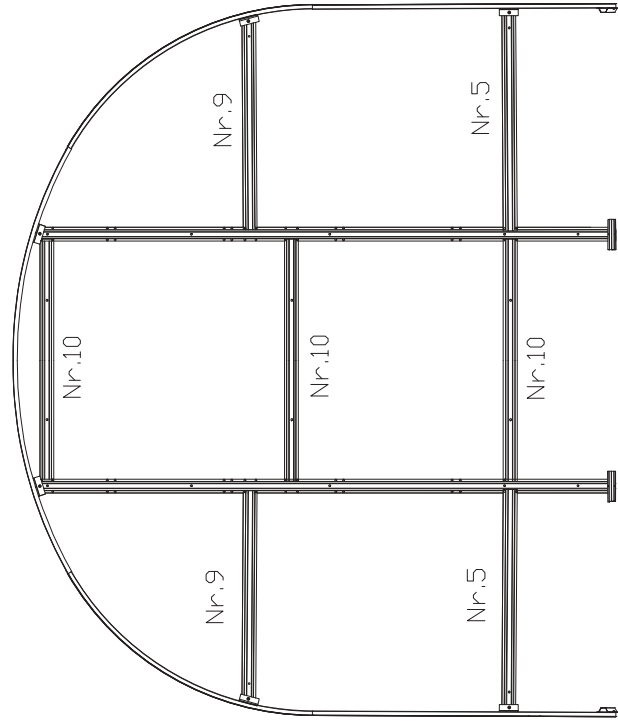
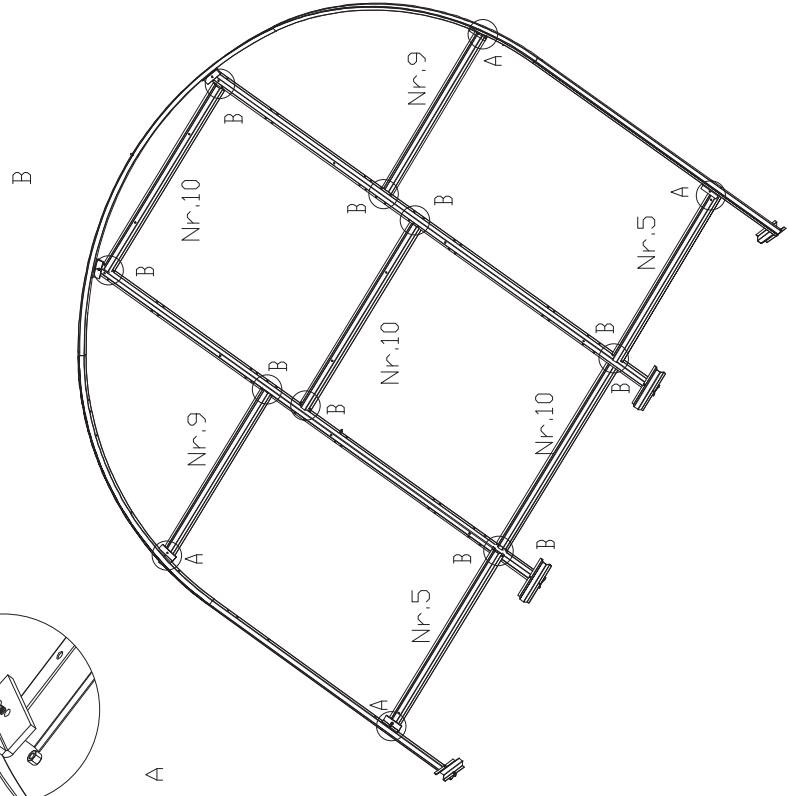
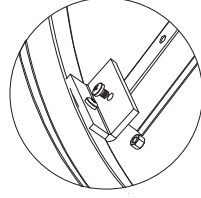
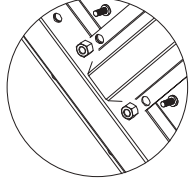
Nr.15



24x

Rear 1X

7



Nr.6



5x

Nr.11



2x

Nr.12



14x

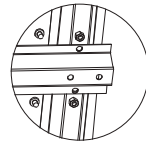
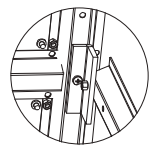
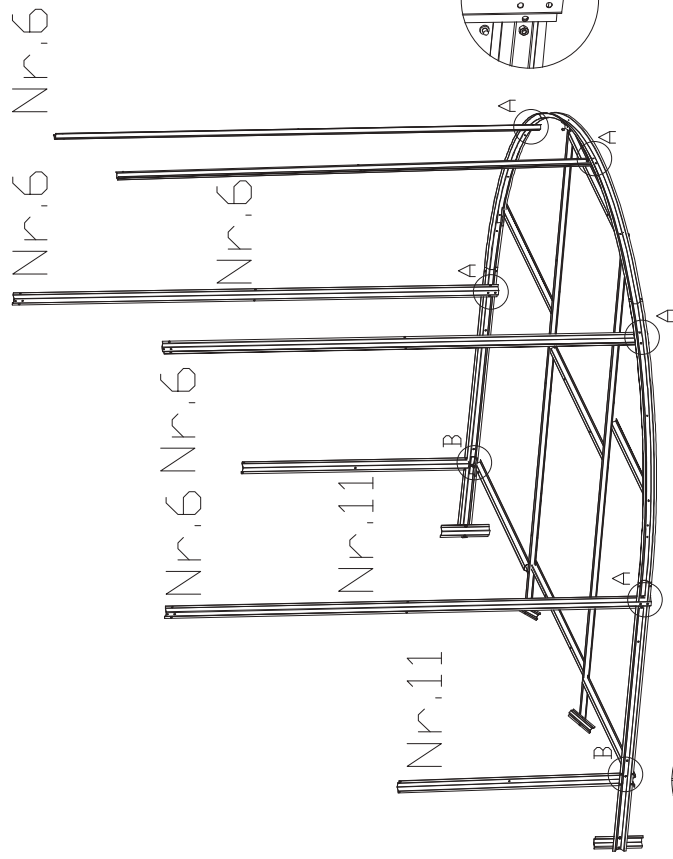
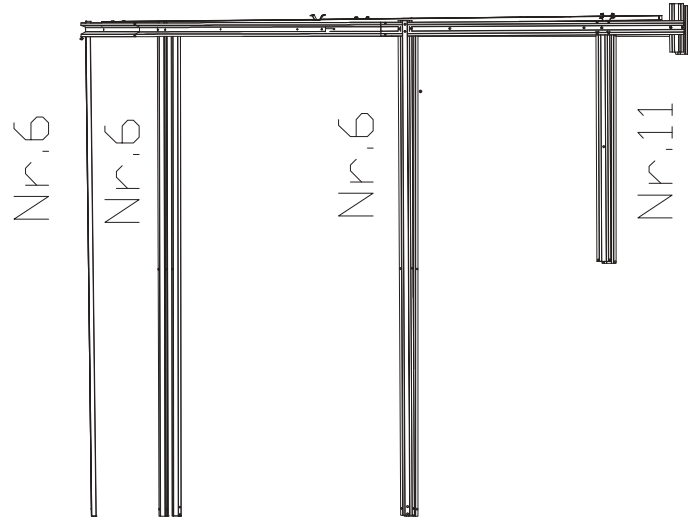
Nr.15









14x

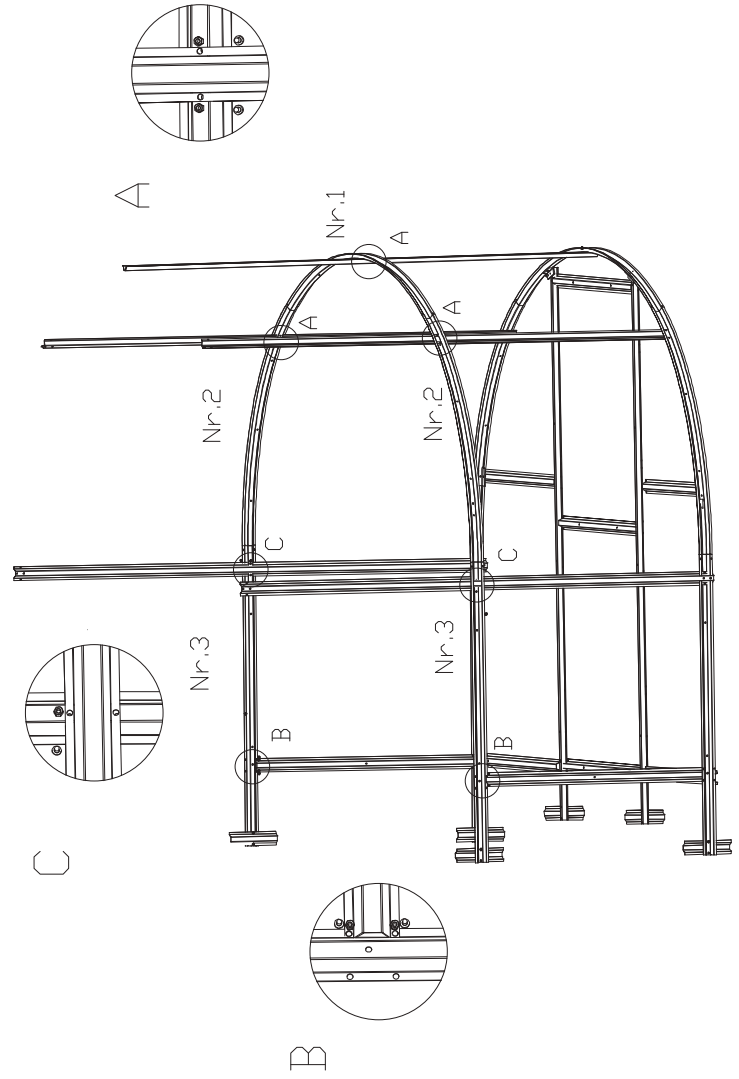
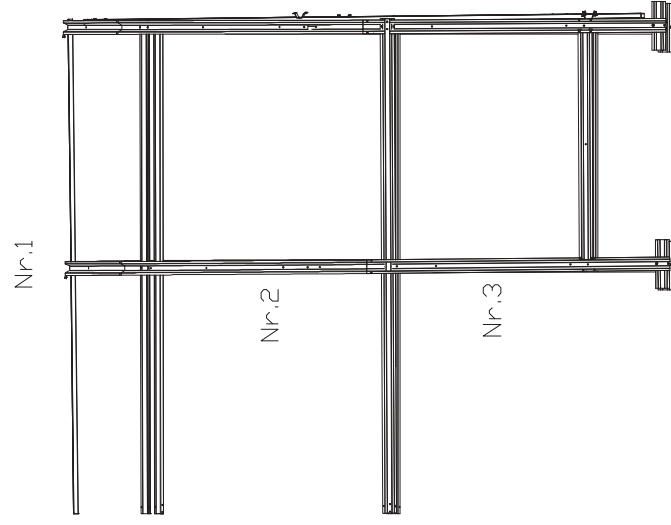
Rear 1X

8



Rear 1X

Nr.1		1x
Nr.2		2x
Nr.3		2x
Nr.15	 16x	Nr.4  2x
Nr.12	 16x	

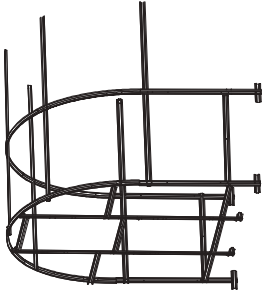


Nr.5



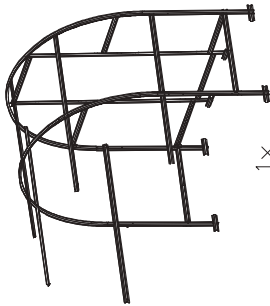
4x

Rear



1x

Front



1x

Nr.15



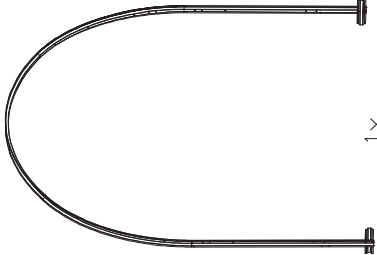
12x

Nr.12

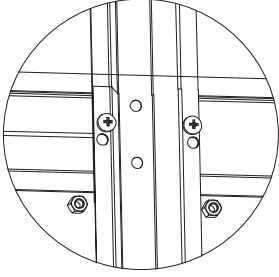


12x

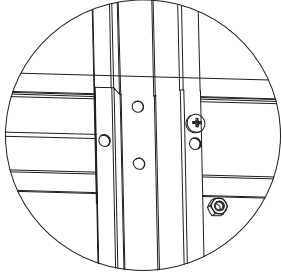
Arch



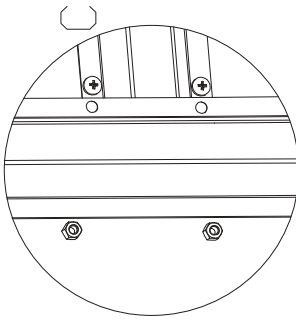
1x



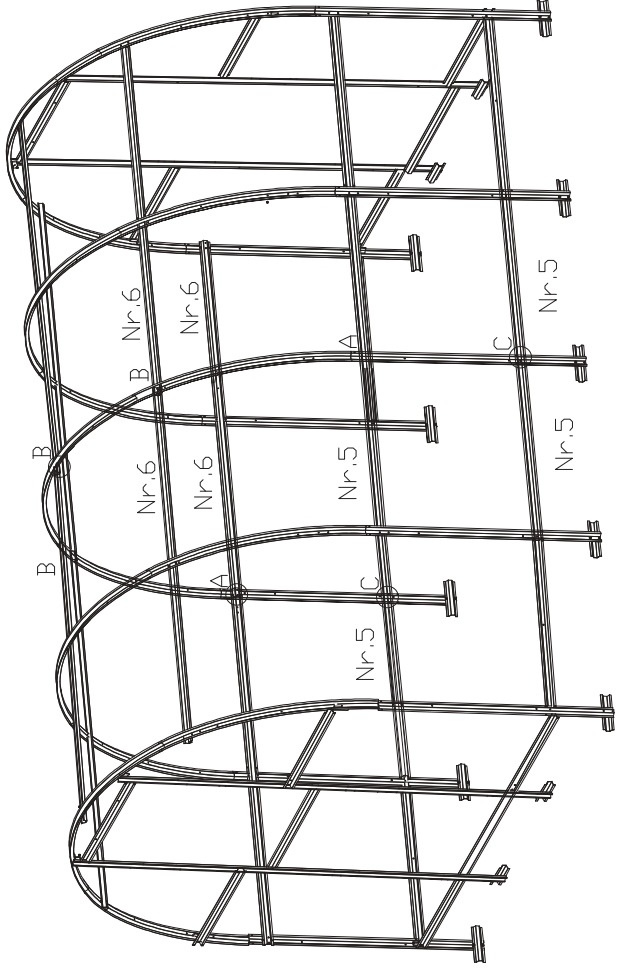
B







A

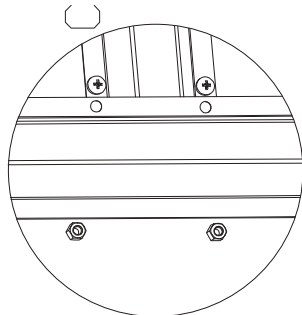
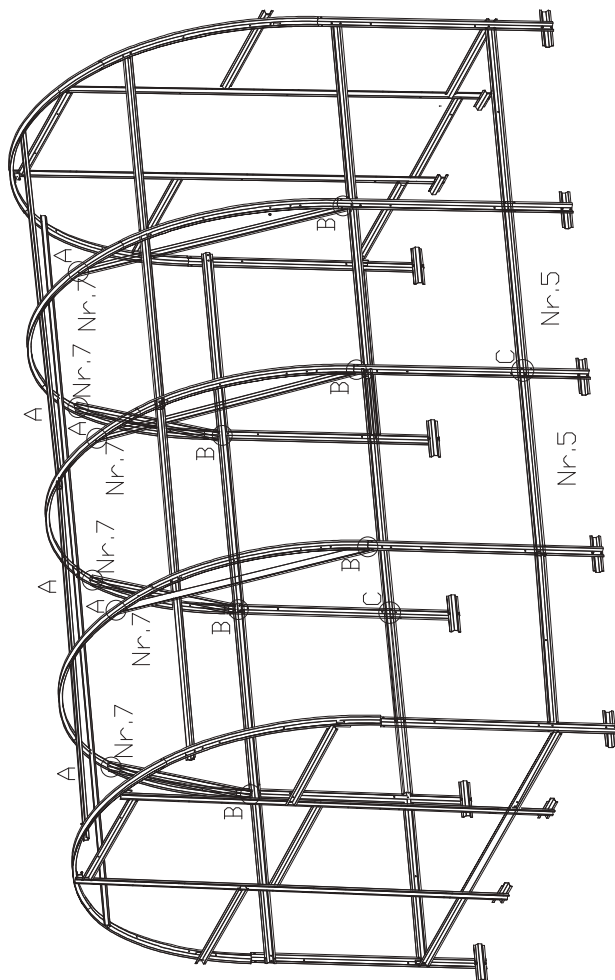
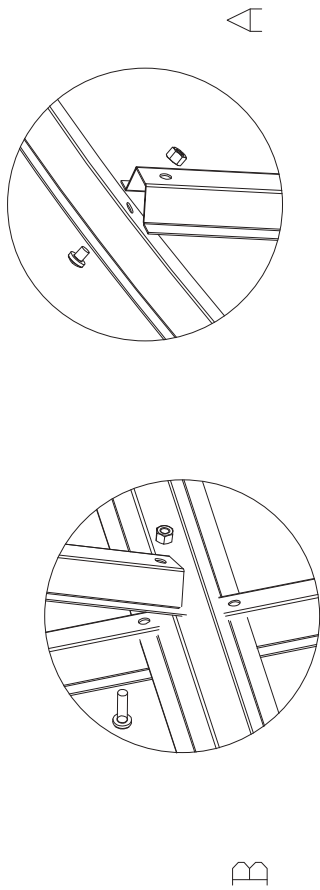


C

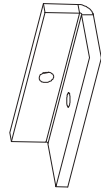


Nr.15	Nr.12	Nr.13
		
34x	28x	6x

Nr.7		6
------	---	---



Nr.18



10x

Nr.15



10x

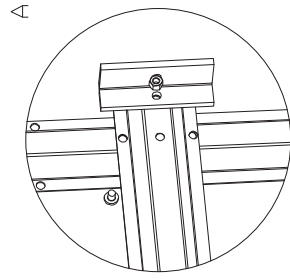
Nr.12



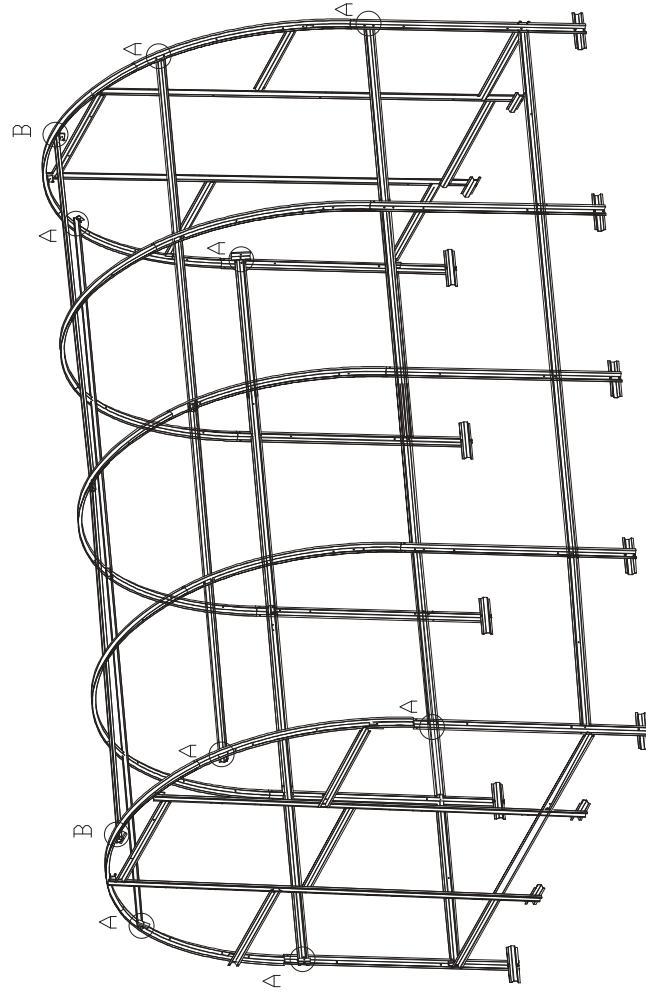
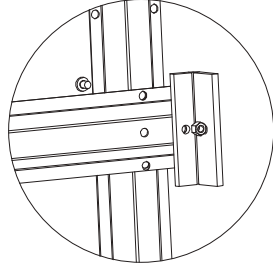
10x

Angles fixation in front and rear

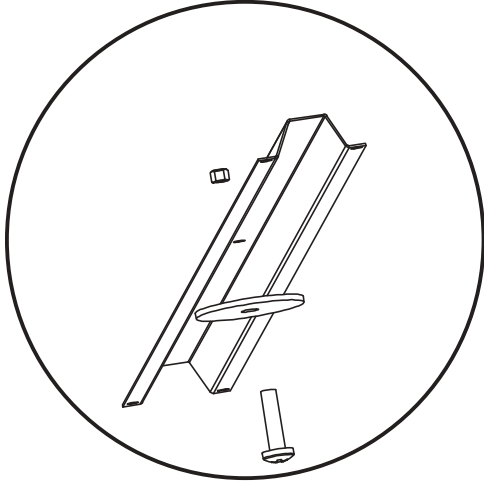
12




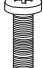


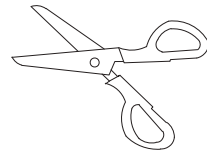
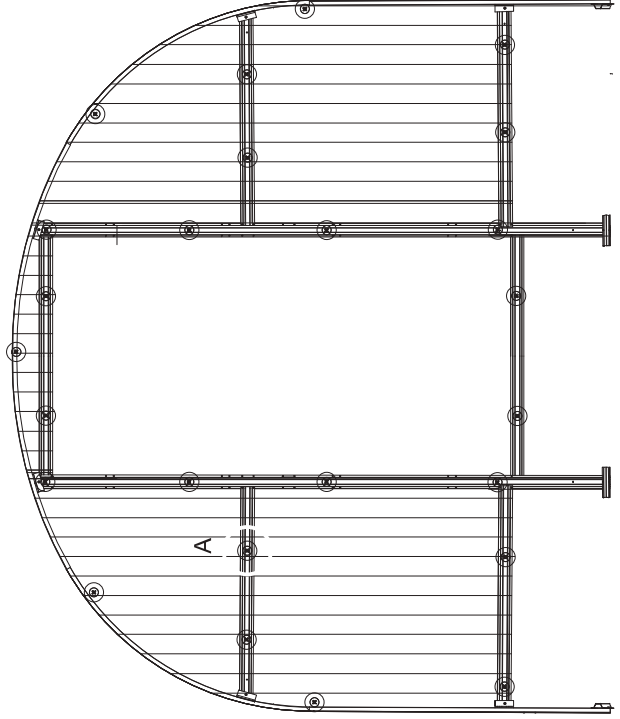
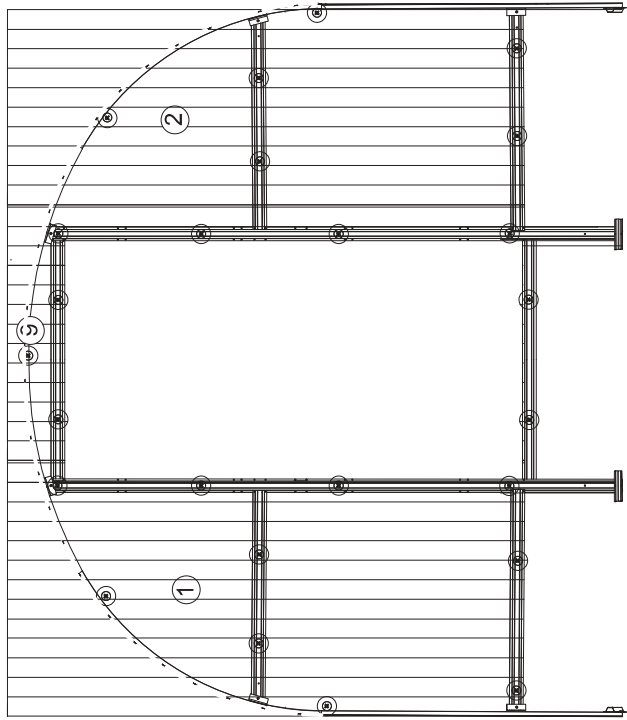
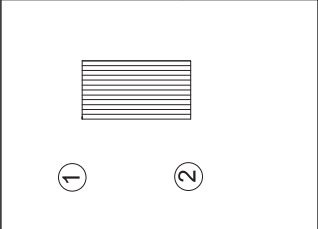
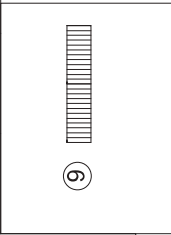
B







13

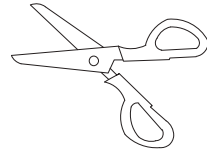
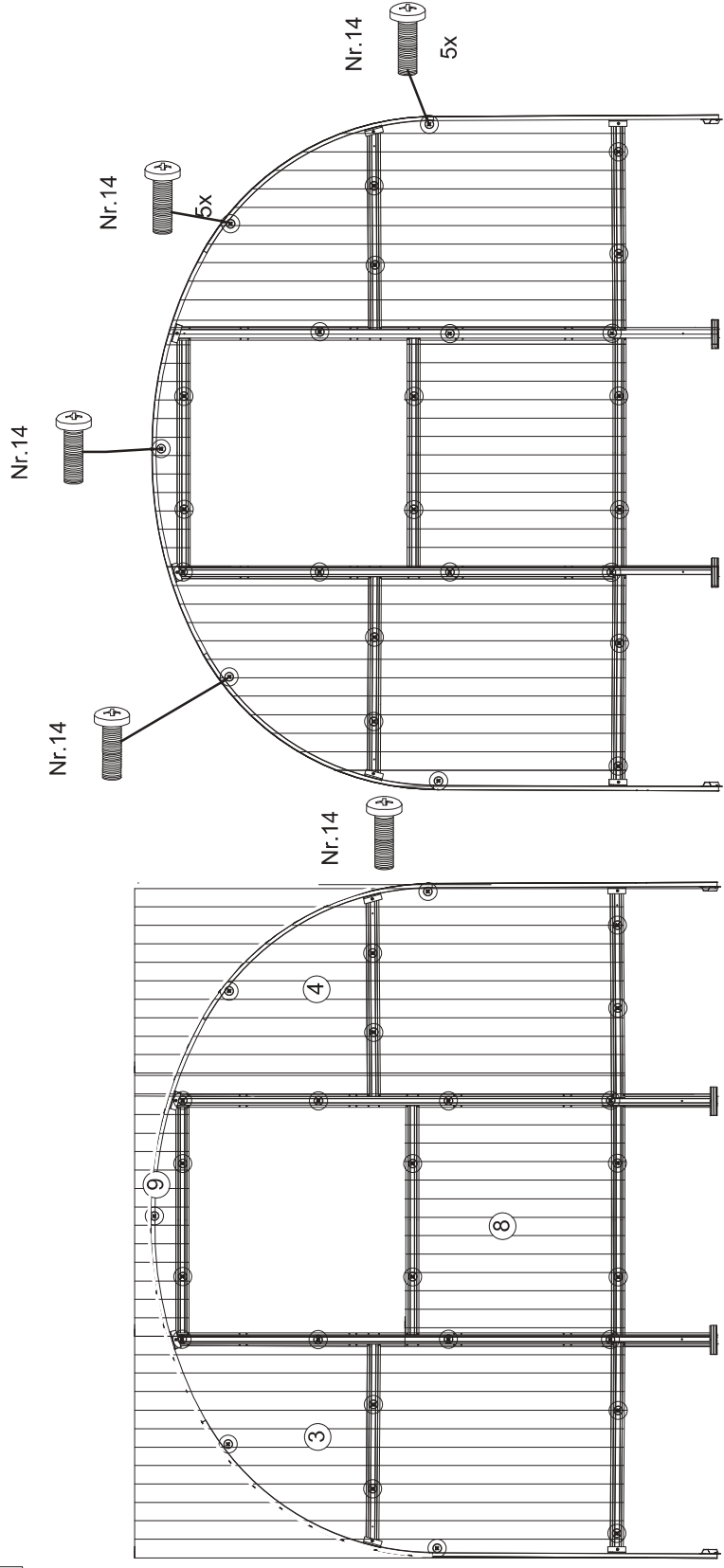
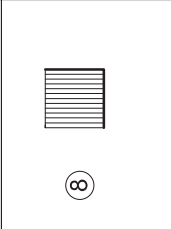
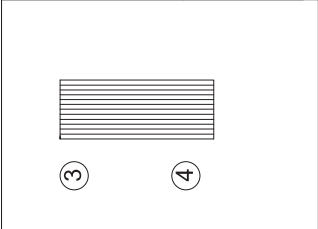
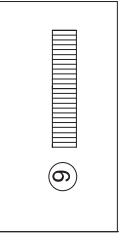


Nr. 15	Nr. 13	Nr. 16	Nr. 14
			
23x	18x	23x	5x



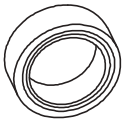
Polycarbonate fixation in rear

Nr. 15  27x	Nr. 14  5x	Nr. 16  27x	Nr. 13  22x
--	---	--	--

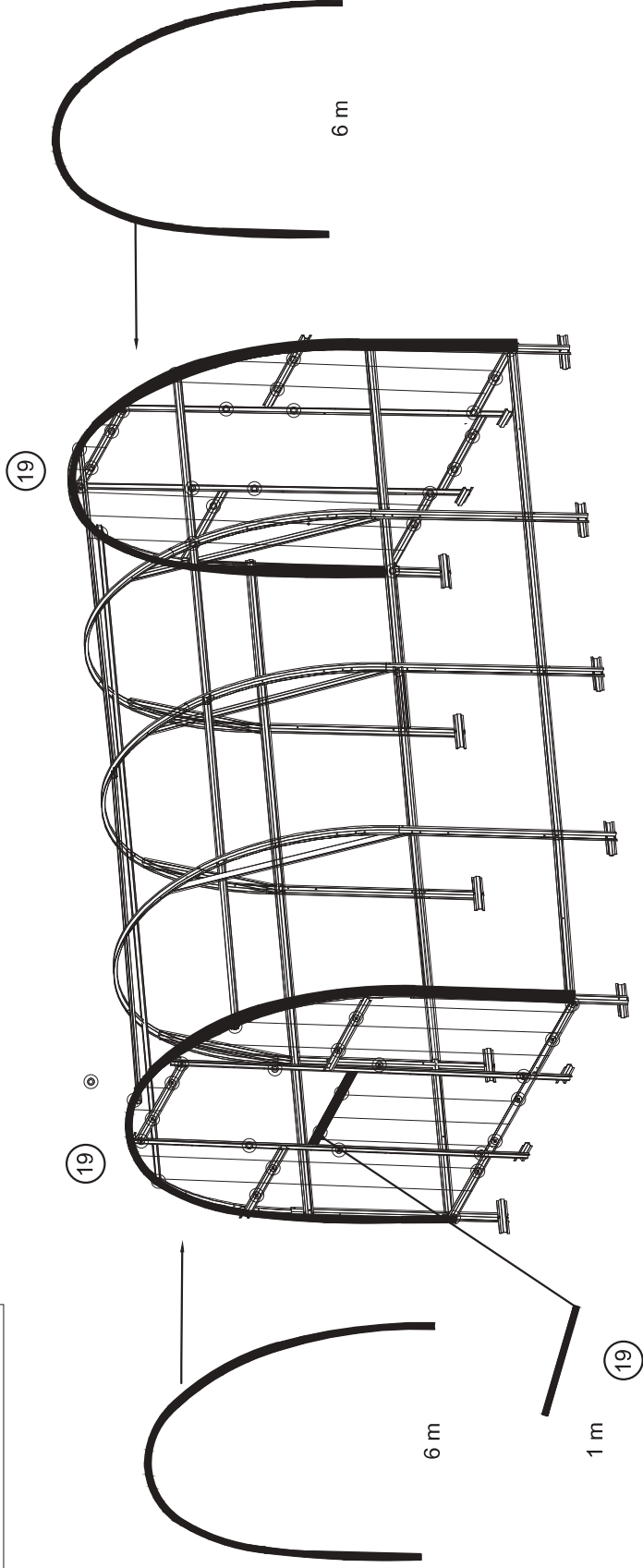


Protective sealing tape in front and rear

19



13 m



6 m

19

19




6 m

1 m

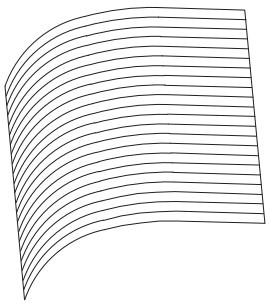
19

16

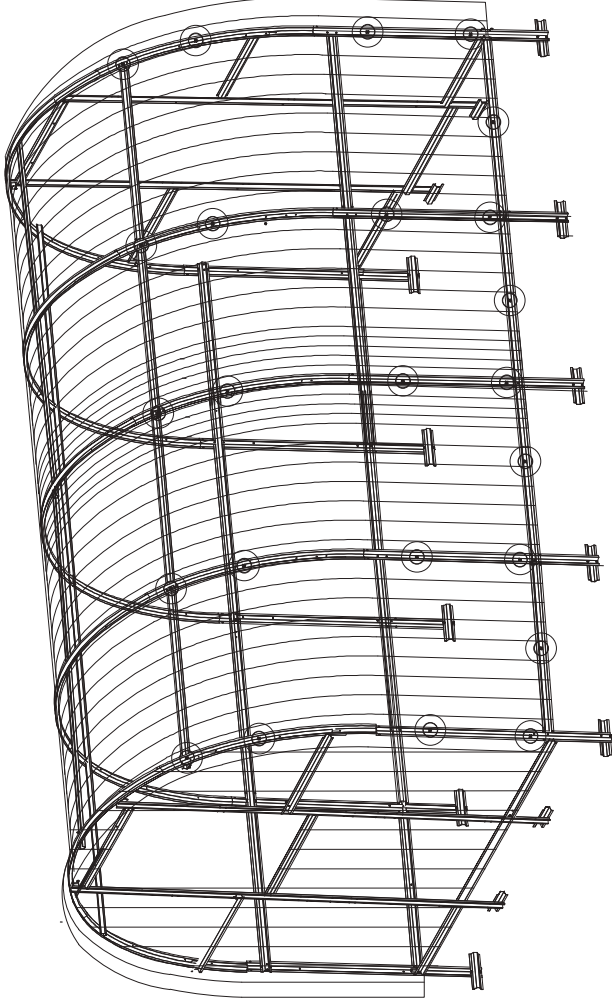
Polycarbonate fixation on the top

Nr.15		48x
Nr.13		48x
Nr.16		48x



2100x6000 mm





2 x




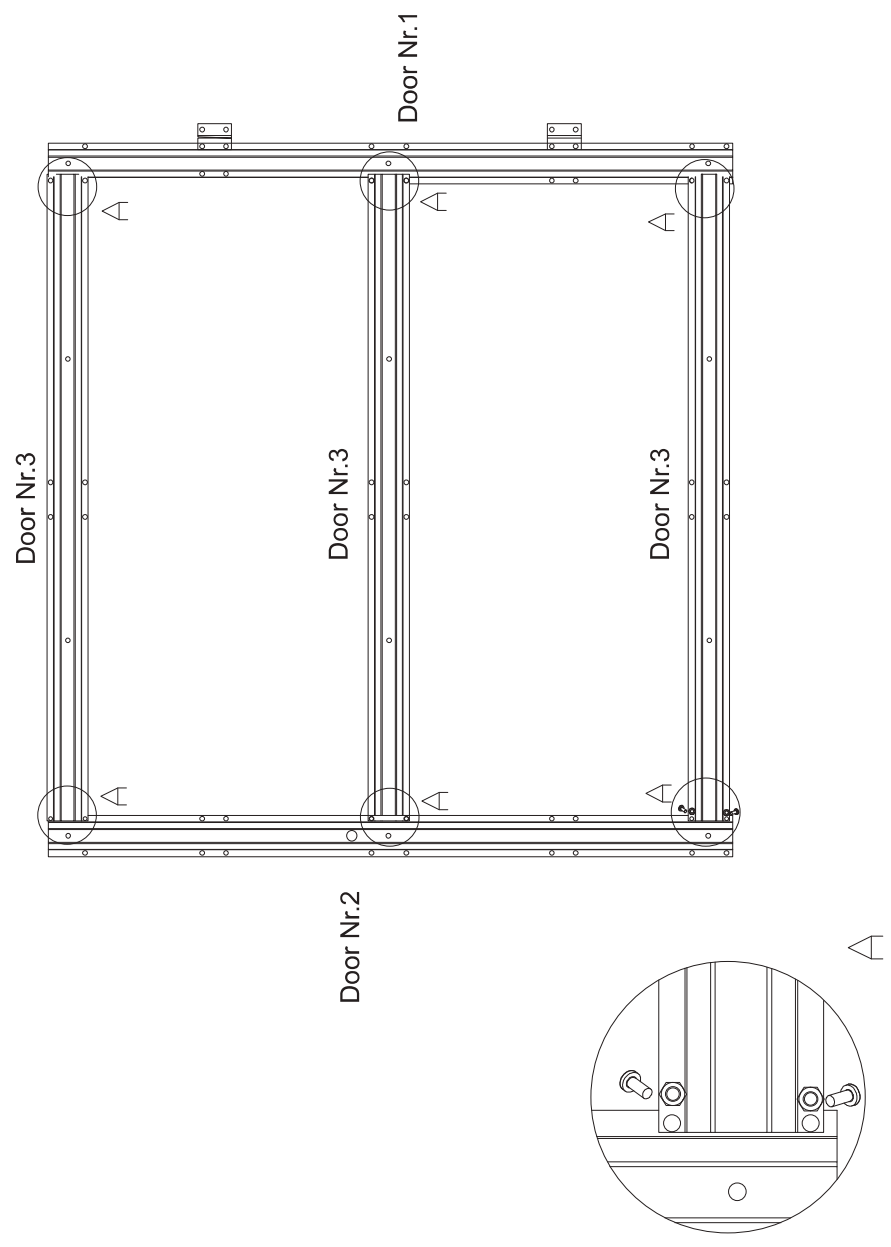
Doors assembly 3X

Nr.15		12x
Nr.12		12x

Door Nr.1 930 mm		1x
------------------	---	----

Door Nr.2 930 mm		1x
------------------	---	----

Door Nr.3 885 mm		3x
------------------	--	----



Nr.15



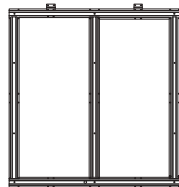
12x

Nr.12



12x

Doors

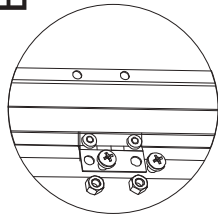


3 x

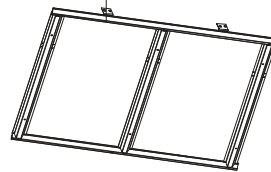
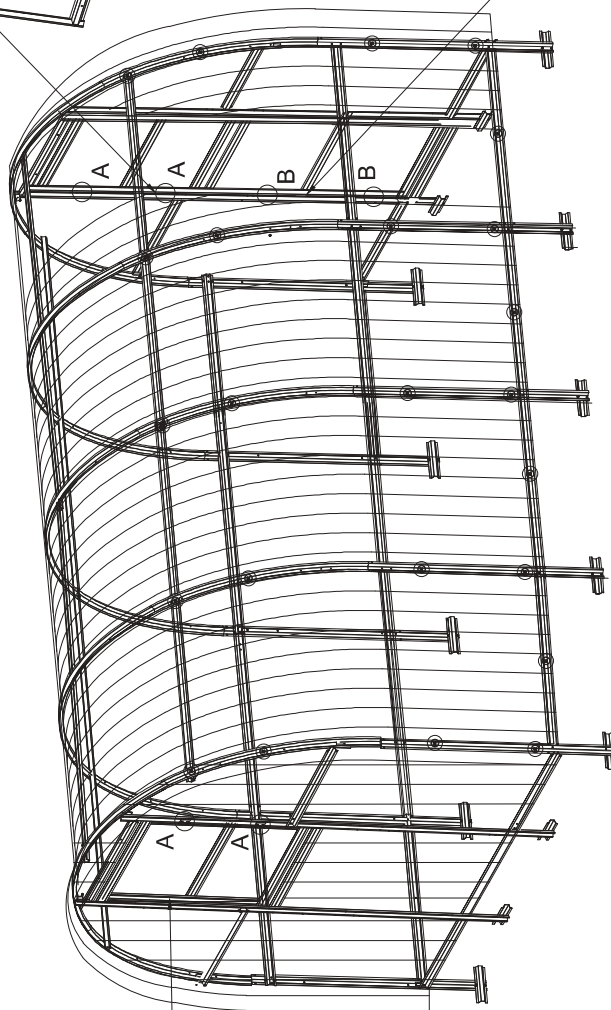
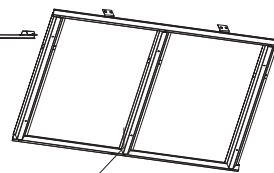
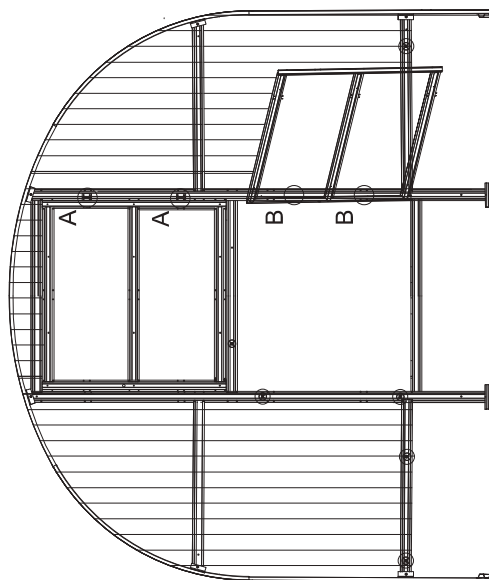
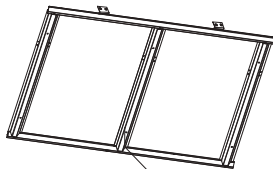
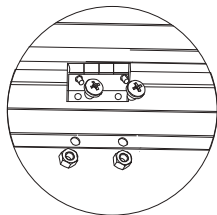
Doors assembly 3X


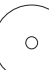

18

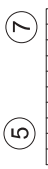



B


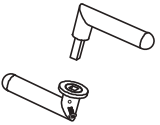


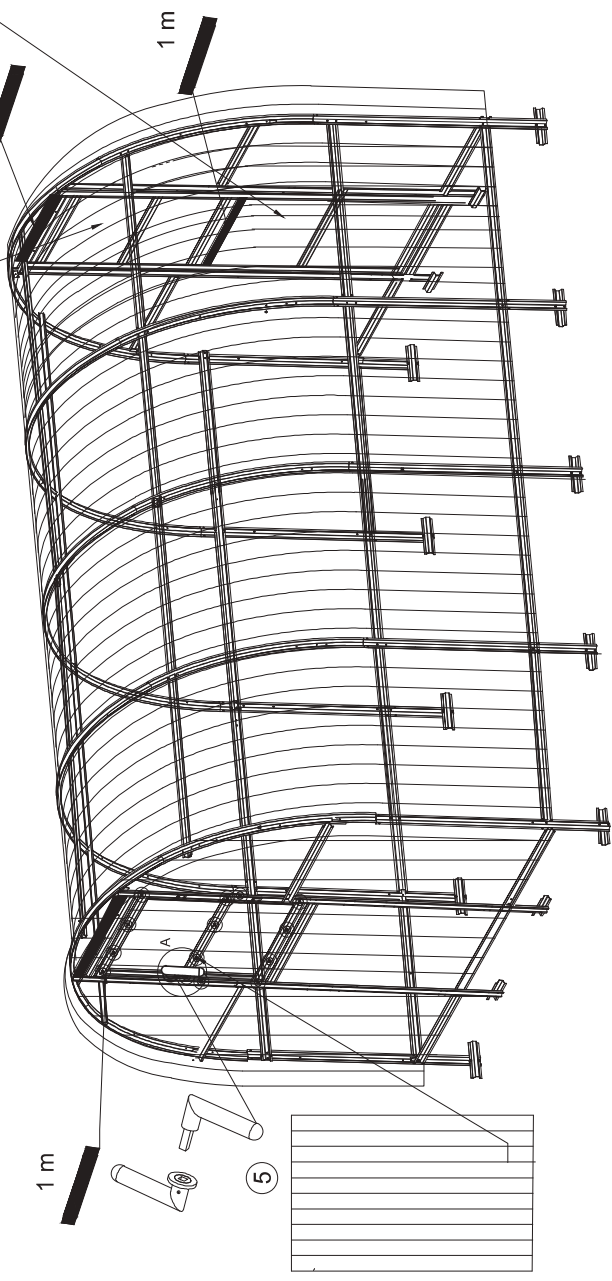
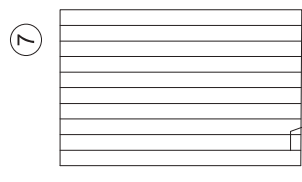
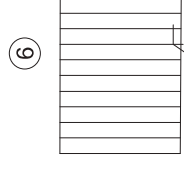
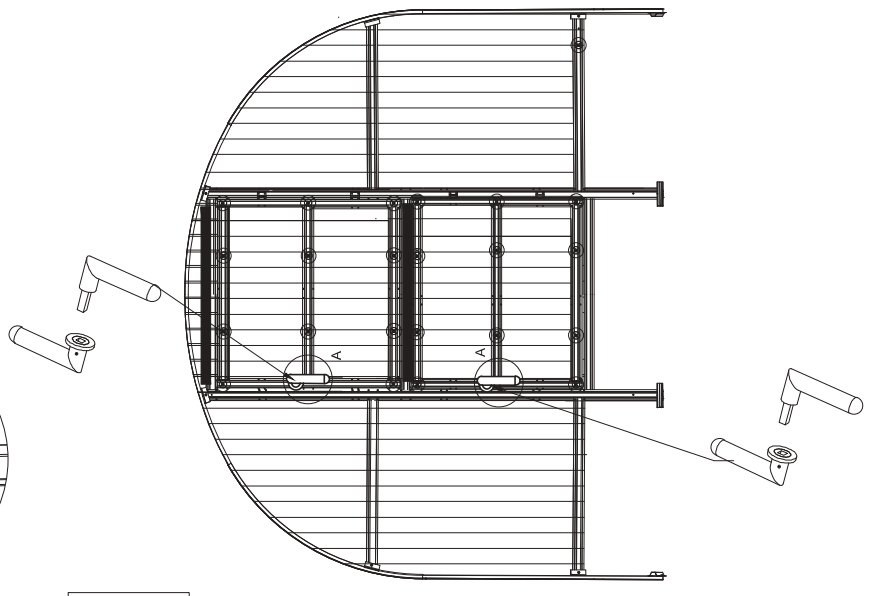
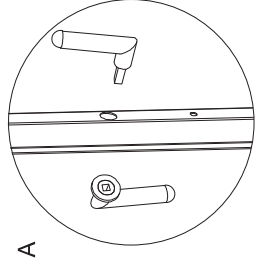
A




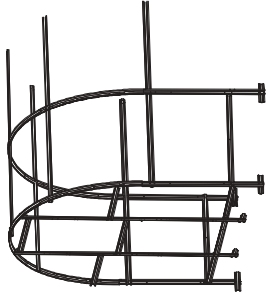

Nr.14		36x
Nr.16		36x
Nr.15		36x



		2 x
		1 x

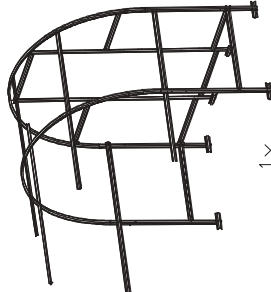
Protective sealing tape 	3 x 1m
Handle 	3x

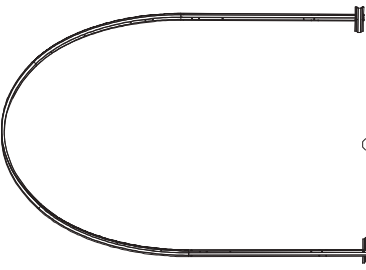


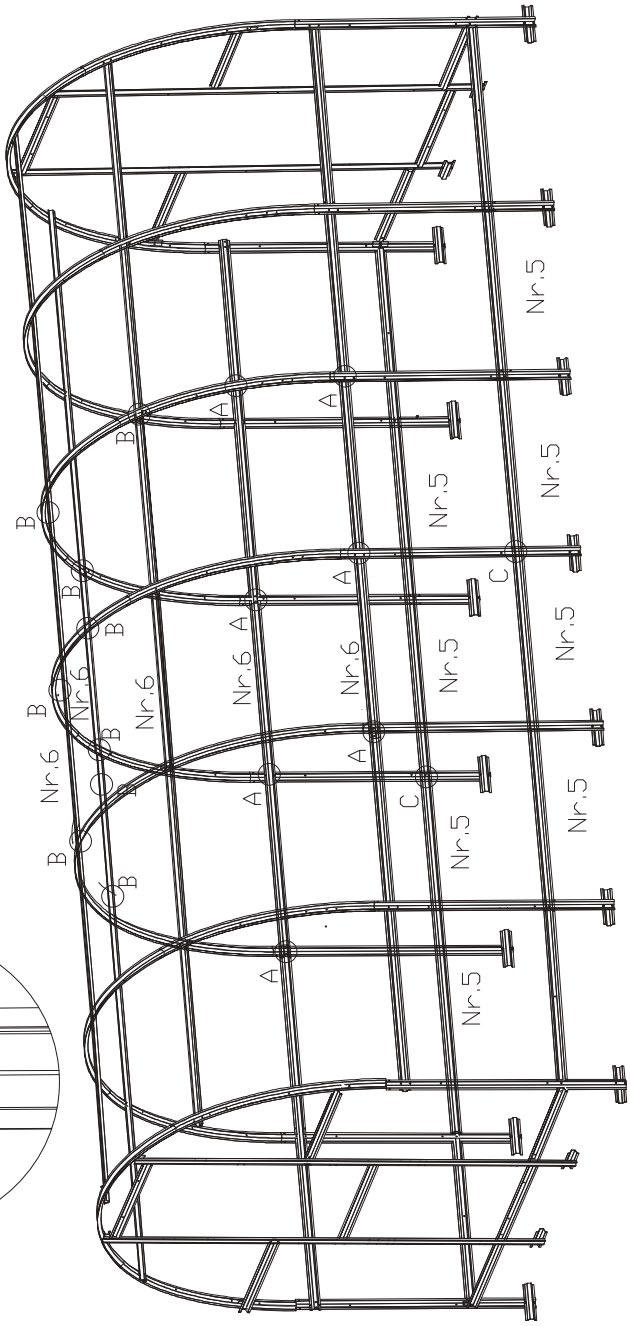
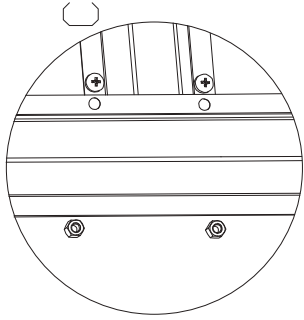
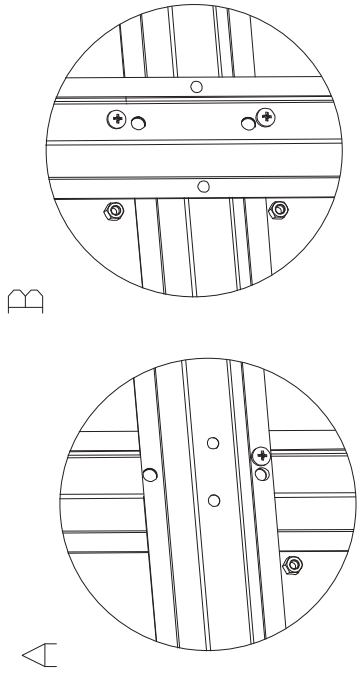
Extension 2 m

<p>Nr.6</p>  <p>5x</p>	<p>Rear</p>  <p>1x</p>	<p>Nr.5</p>  <p>8x</p>
---	---	---

<p>Nr.15</p>  <p>48x</p>	<p>Nr.12</p>  <p>48x</p>
---	---

<p>Front</p>  <p>1x</p>
--

<p>Arch</p>  <p>3x</p>
--



Contact information

Austria



Belgium



Croatia



Denmark



Estonia



Finland



France



Germany



Ireland



Italy



Latvia



Lithuania



Nederland



Norway



Poland



Portugal



Spain



Sweden



Switzerland



UK

