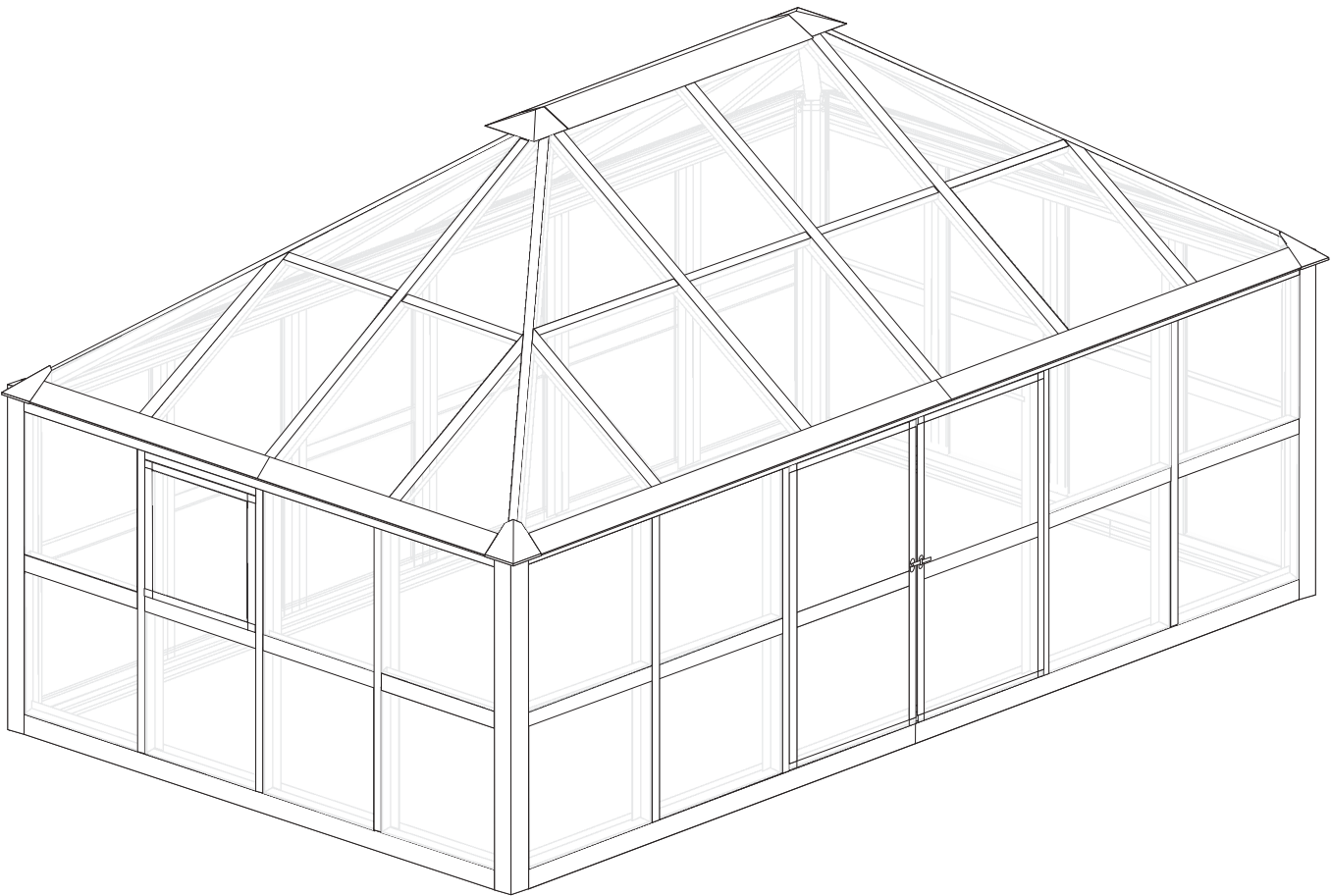
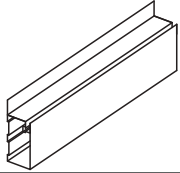
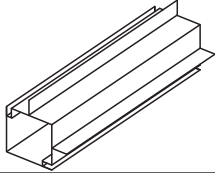
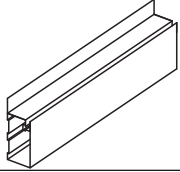
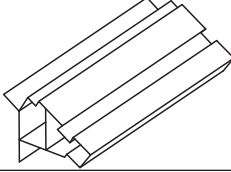
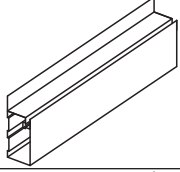
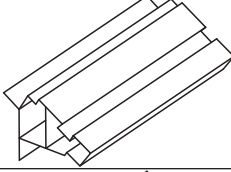
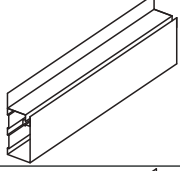
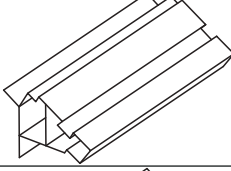
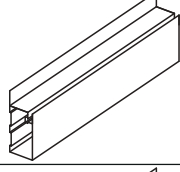
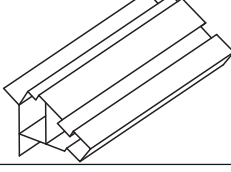
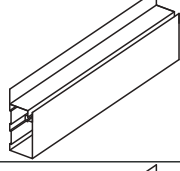
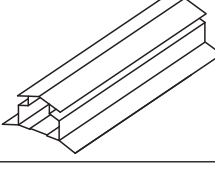
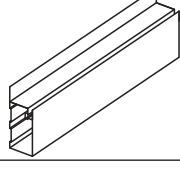
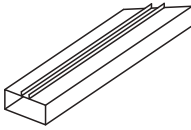
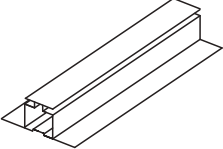
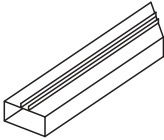
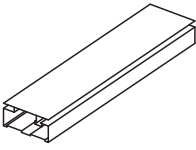
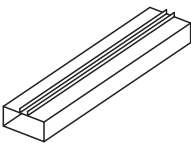
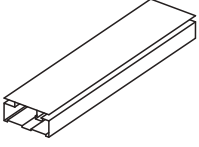
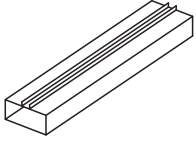


CosyLifeStyle[®]

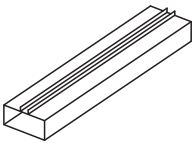
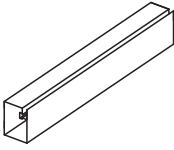
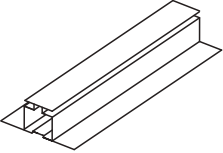
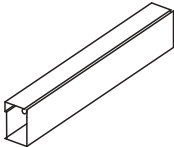
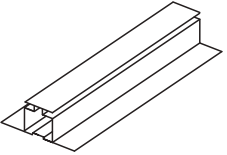
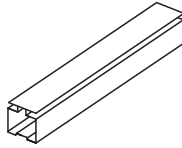
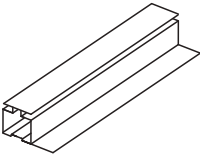
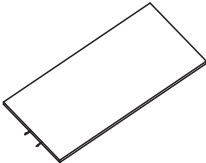
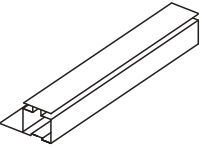
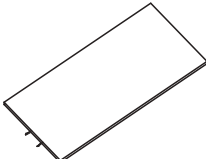
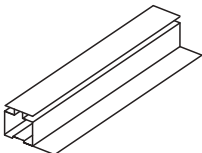
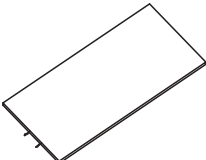
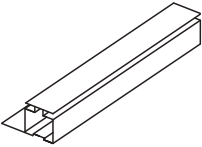
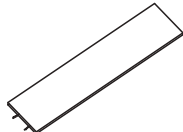
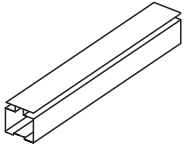
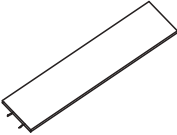
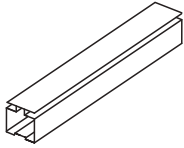
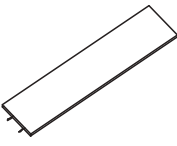
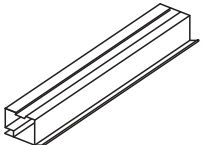
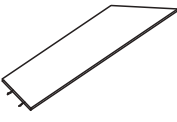
Manual
for
Orangery
4,27x2,88x2,75m



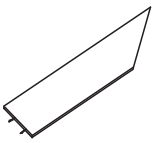
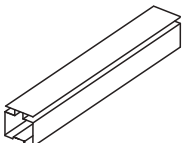
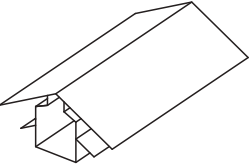
Aluminum Parts:

No.	Picture	Qty.	Size	No.	Picture	Qty.	Size
1		2	171.7	5		4	185
1B		2	171.7	6		2	171.7
2		4	102.3	6A		2	206.2
2A		2	206.2	6B		2	206.2
2B		2	206.2	7		2	102.3
2C		2	206.2	8		4	205
2D		2	206.2	8A		4	79.9
3		13	173	8B		4	79.9
4		14	65.8	9		2	154.2
4A		4	65.8	9A		4	153

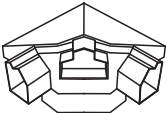
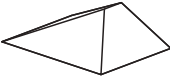
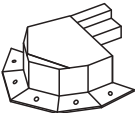
Aluminum Parts :

No.	Picture	Qty.	Size	No.	Picture	Qty.	Size
9B		2	157.4	16B		4	58.5
10		1	173	16C		4	65.5
11		1	173	17		8	73
12A		1	165	18		4	206.2
12B		1	165	19		2	171.7
13A		1	165	19A		2	102.3
13B		1	165	20		2	154.2
14		4	59.5	20A		4	153
15		2	59.5	20B		2	157.4
16A		4	58.5	21A		4	81.4

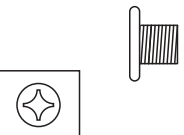
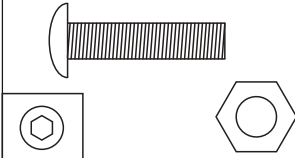
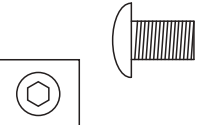
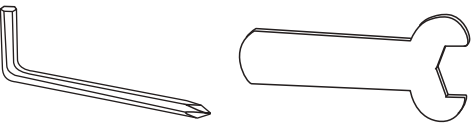
Aluminum Parts:

No.	Picture	Qty.	Size	No.	Picture	Qty.	Size
21B		4	81.4	23		12	66
22		1	131				

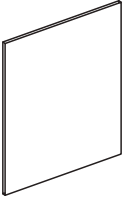
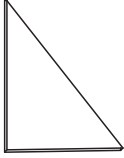
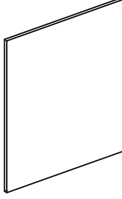
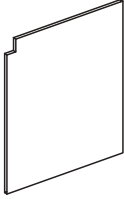
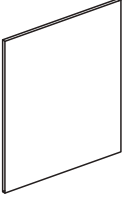
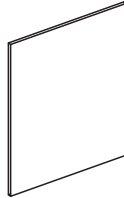
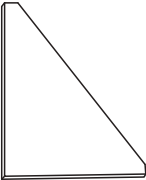
Plastic Parts:

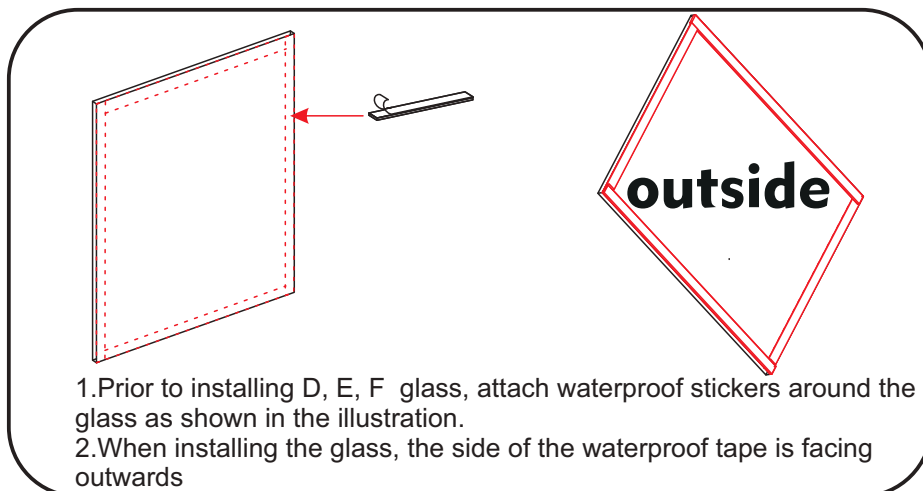
No.	Picture	Qty.	Size	No.	Picture	Qty.	Size
32		4		34		2	
33		2					

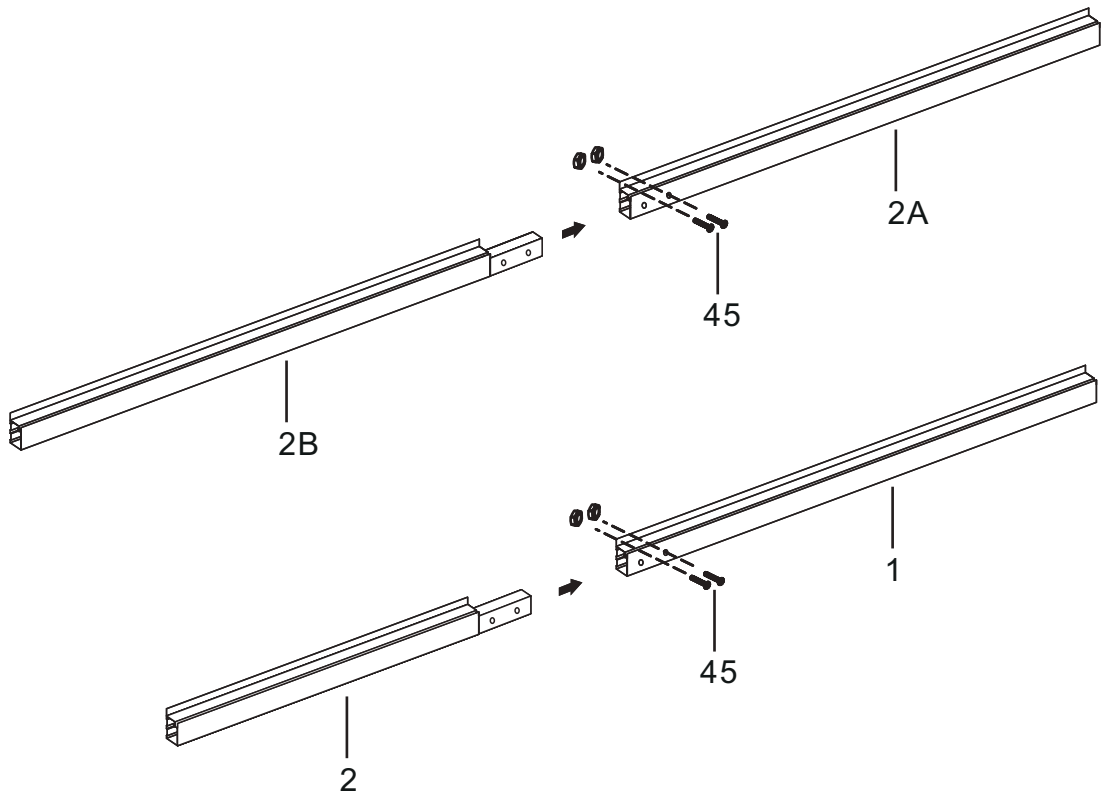
Hardware:

No.	Picture	Qty.	Size	No.	Picture	Qty.	Size
37		24	M6*7	45		16	M6*35
42		234	M6*12				

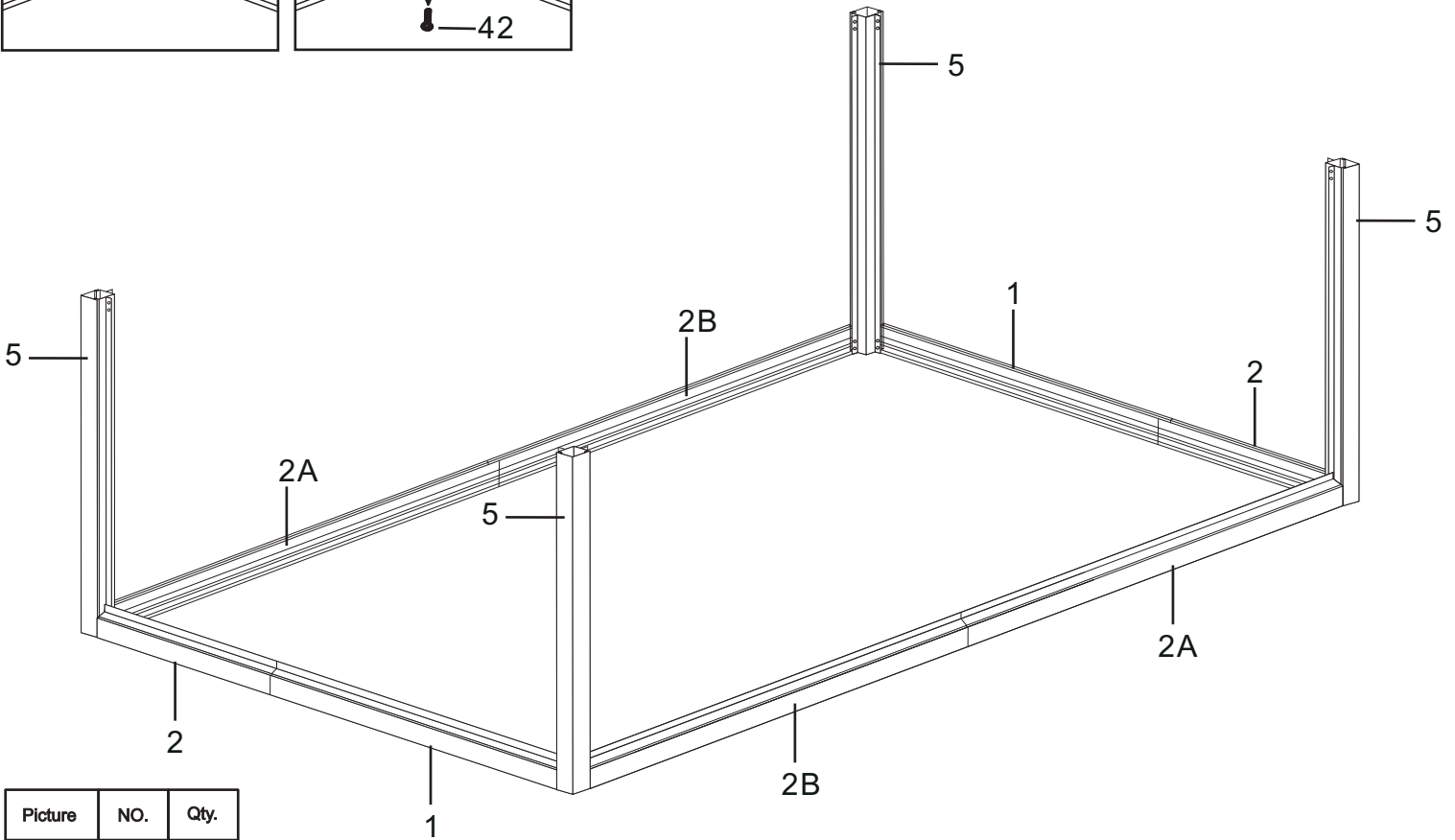
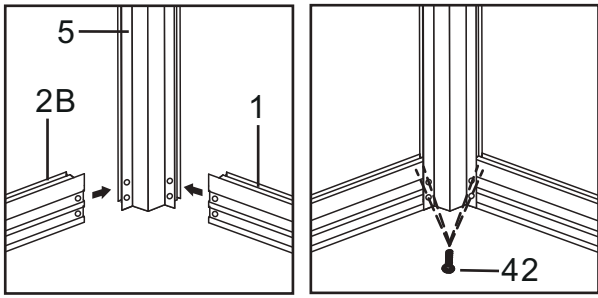
Twin PC Board:

No.	Picture	Qty.	Size	No.	Picture	Qty.	Size
A		32	85.5*67.8	E		8	83*70.8
B		4	81.8*61.5	F		4	81.1*67.8* 62.6*(1.9*5 .2)
C		4	75.1*60.3	G		12	80*67.8
D		8	76*67.8*3. 7*3.3				

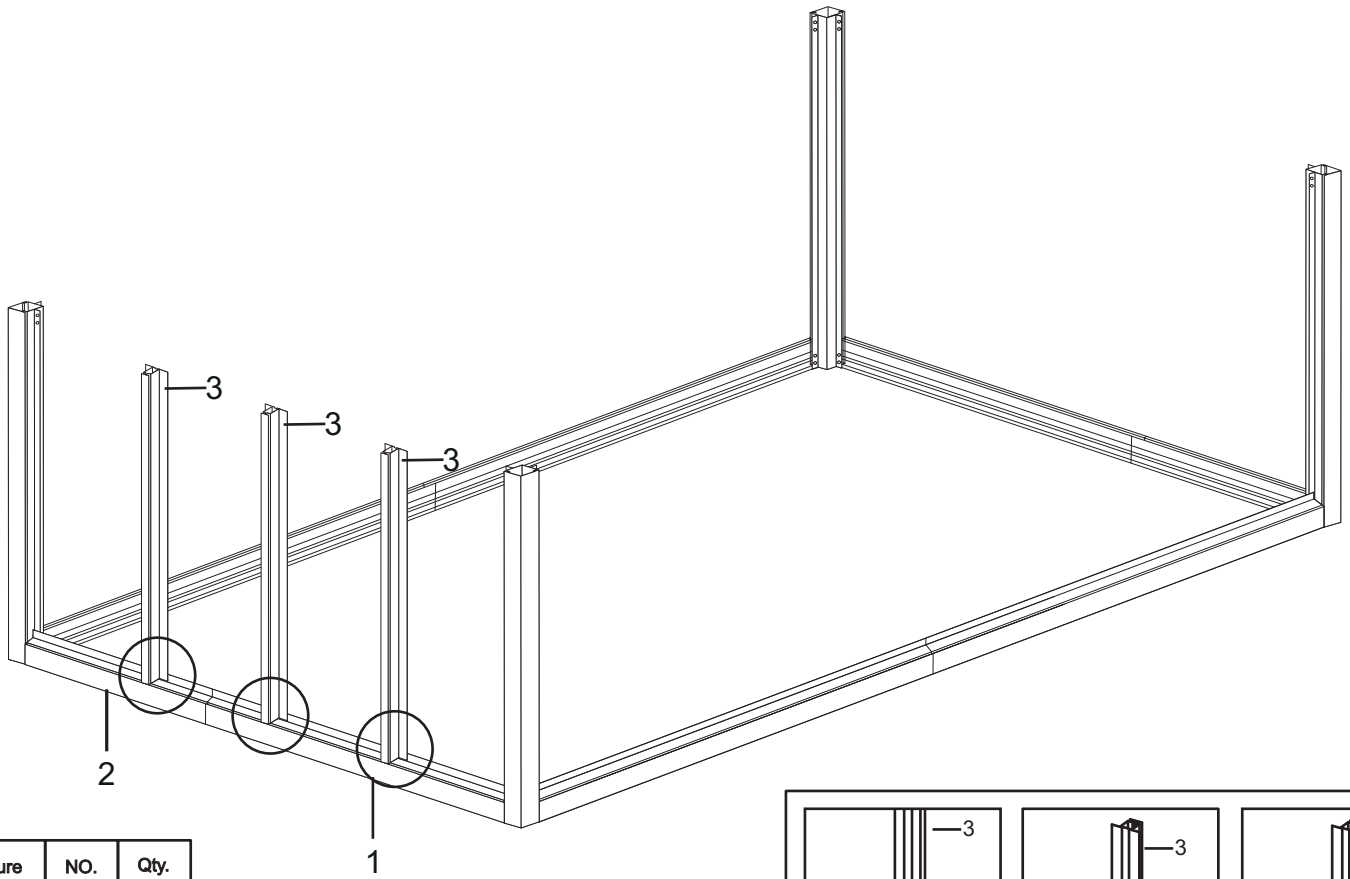




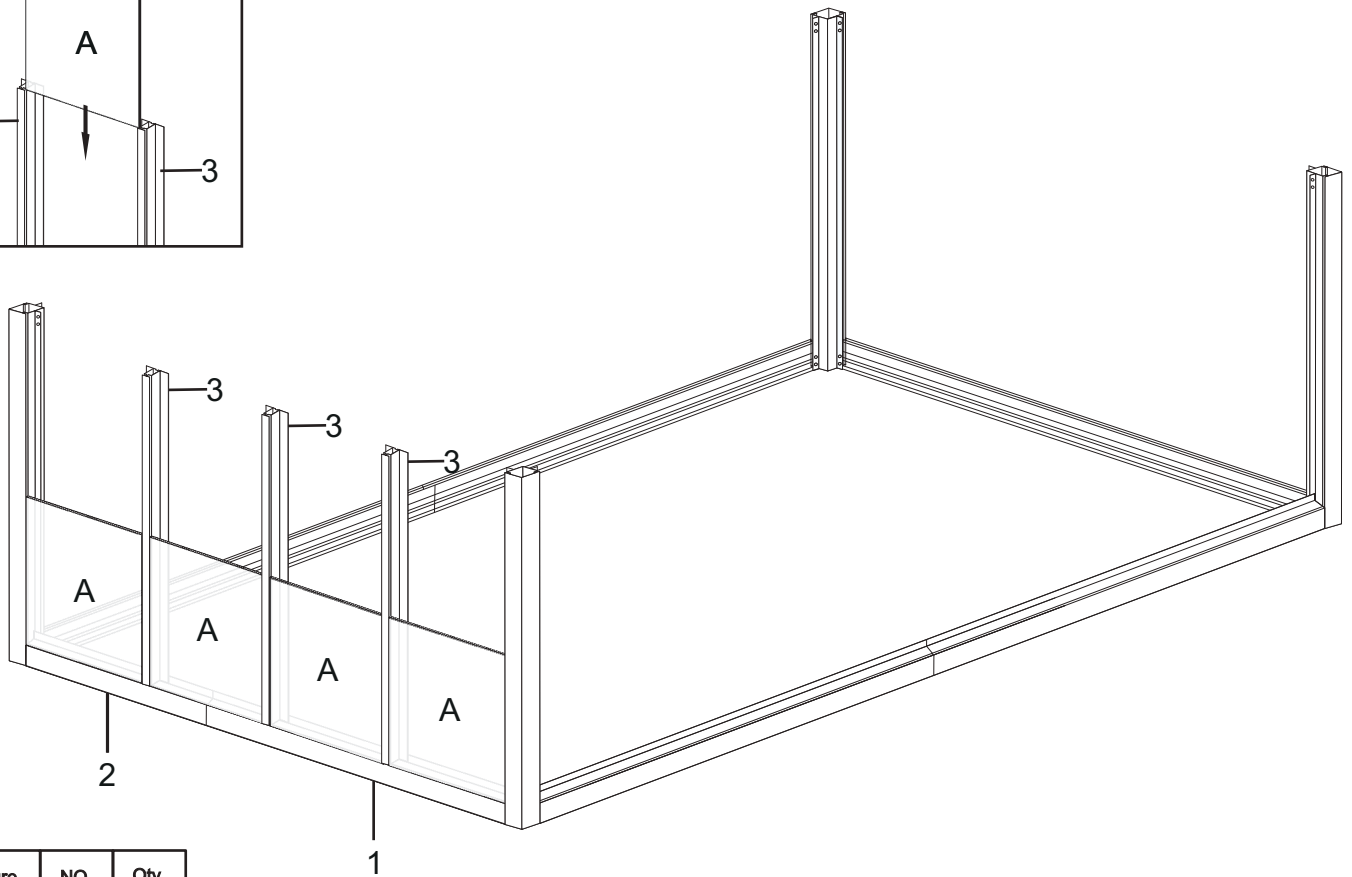
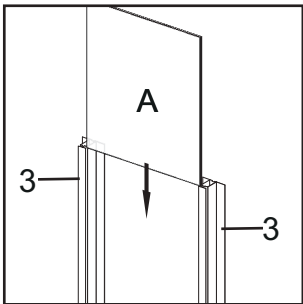
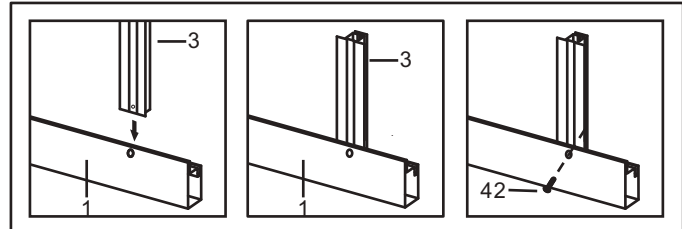
Picture	NO.	Qty.
	1	2
	2	2
	2A	2
	2B	2
	45	8



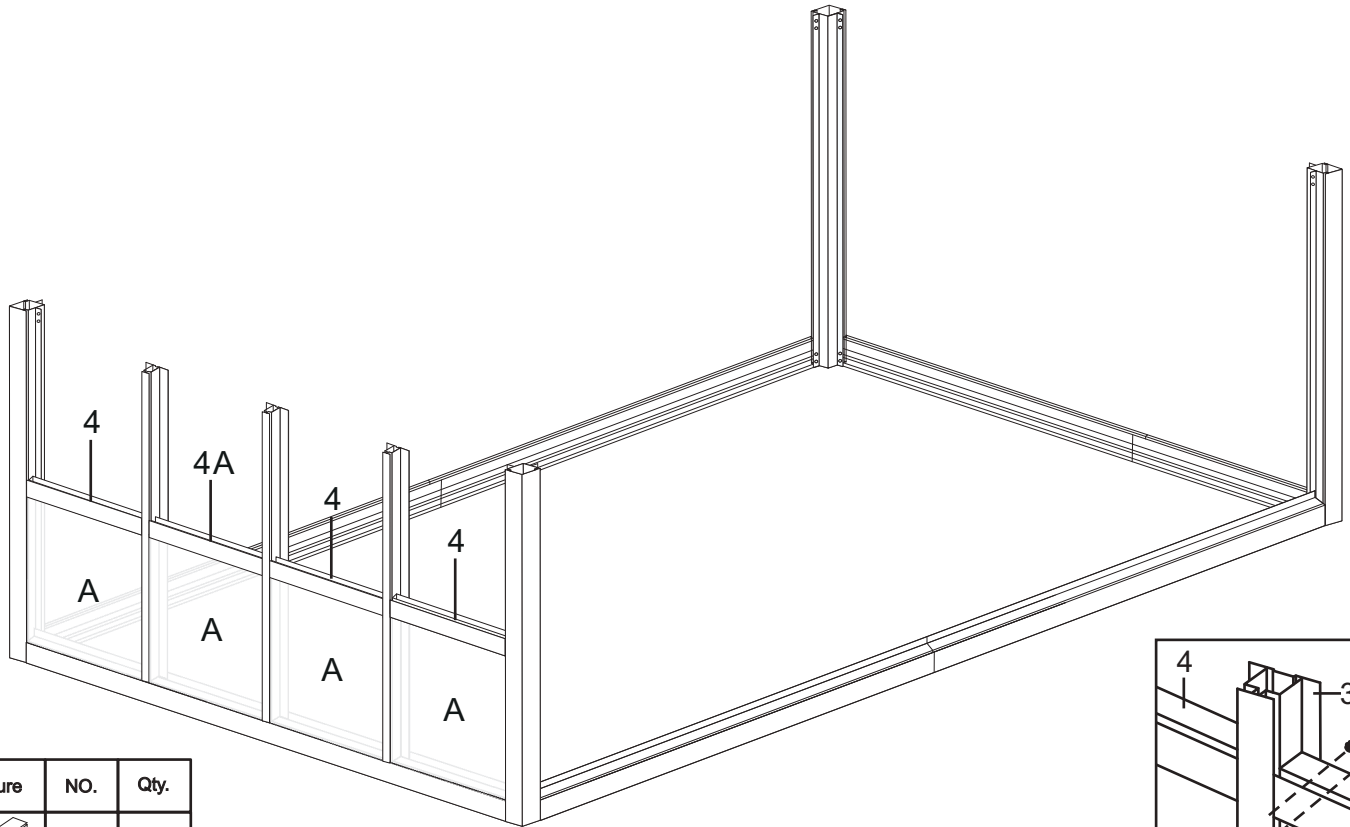
Picture	NO.	Qty.
	5	4
	42	16






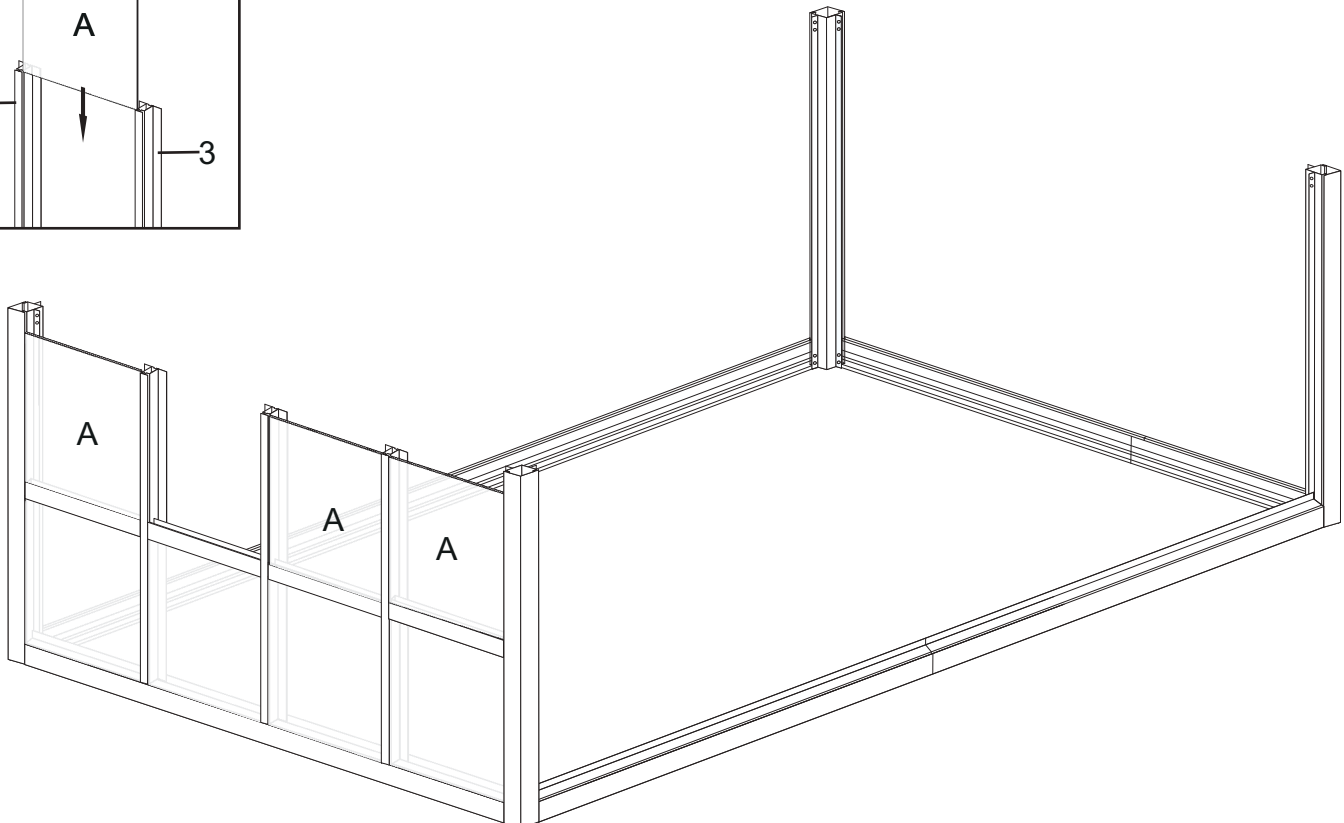
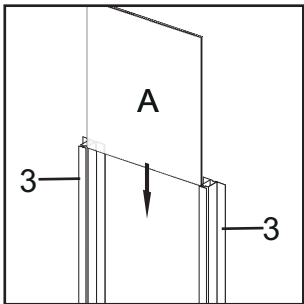
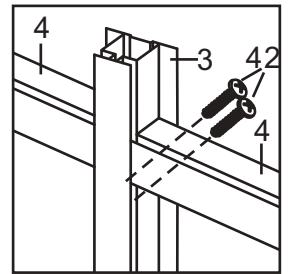
Picture	NO.	Qty.
	3	3
	42	3




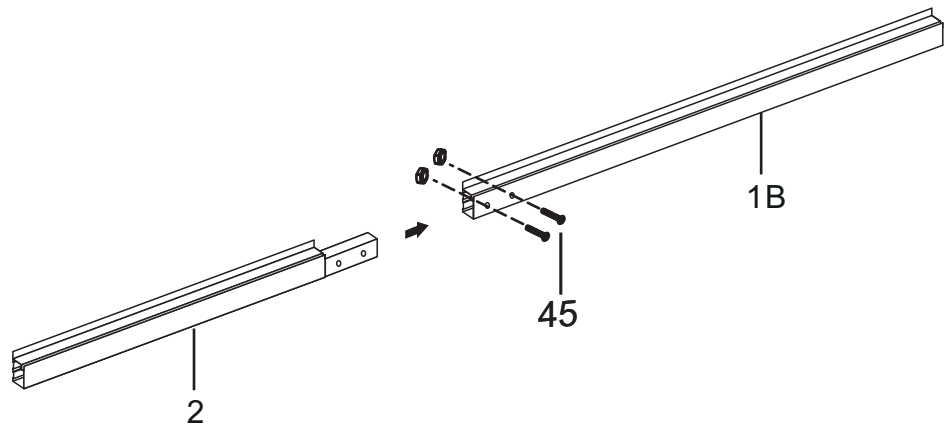
Picture	NO.	Qty.
	A	4



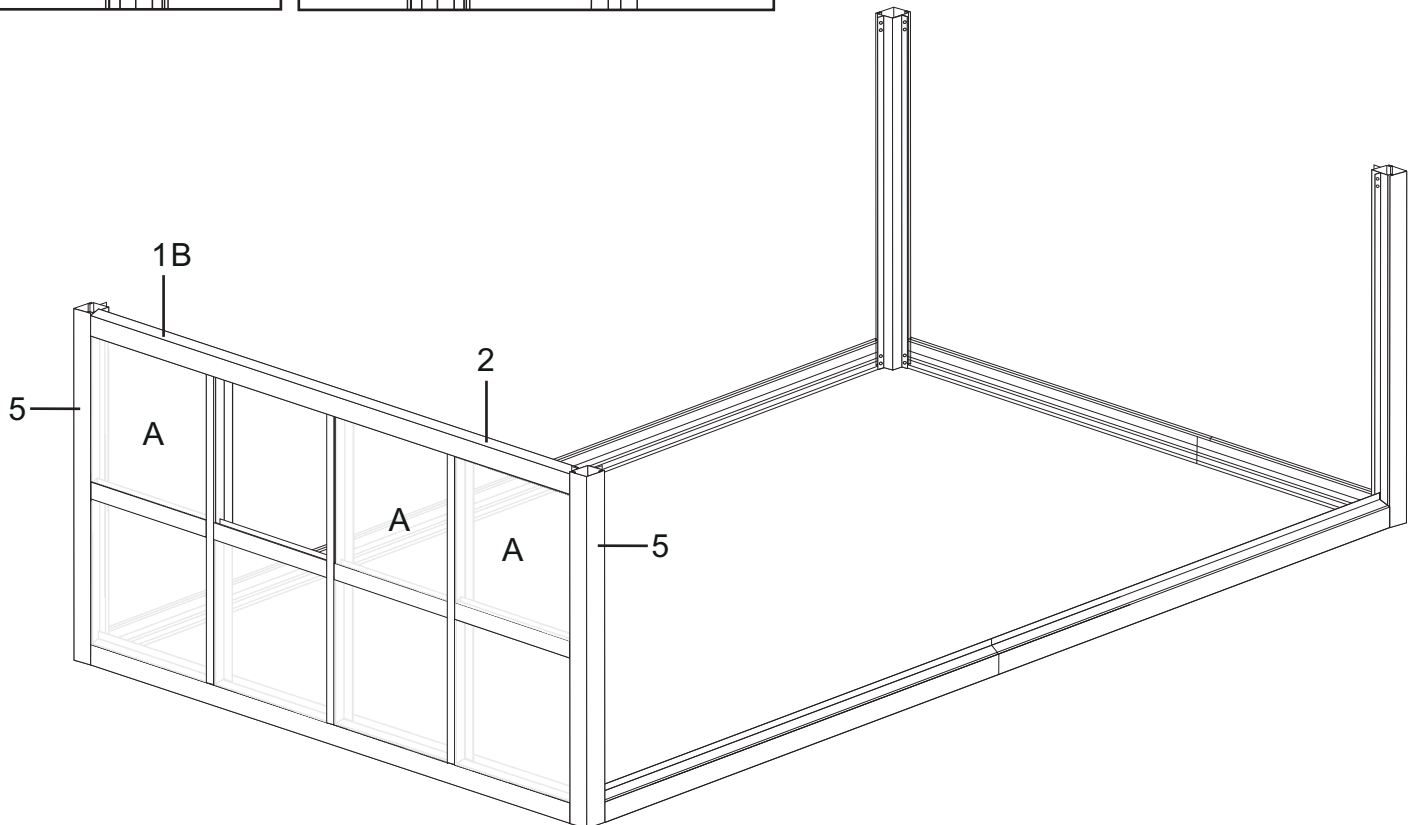
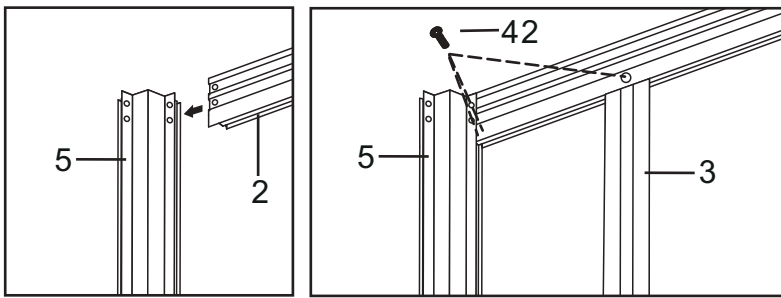
Picture	NO.	Qty.
	4	3
	4A	1
	42	16



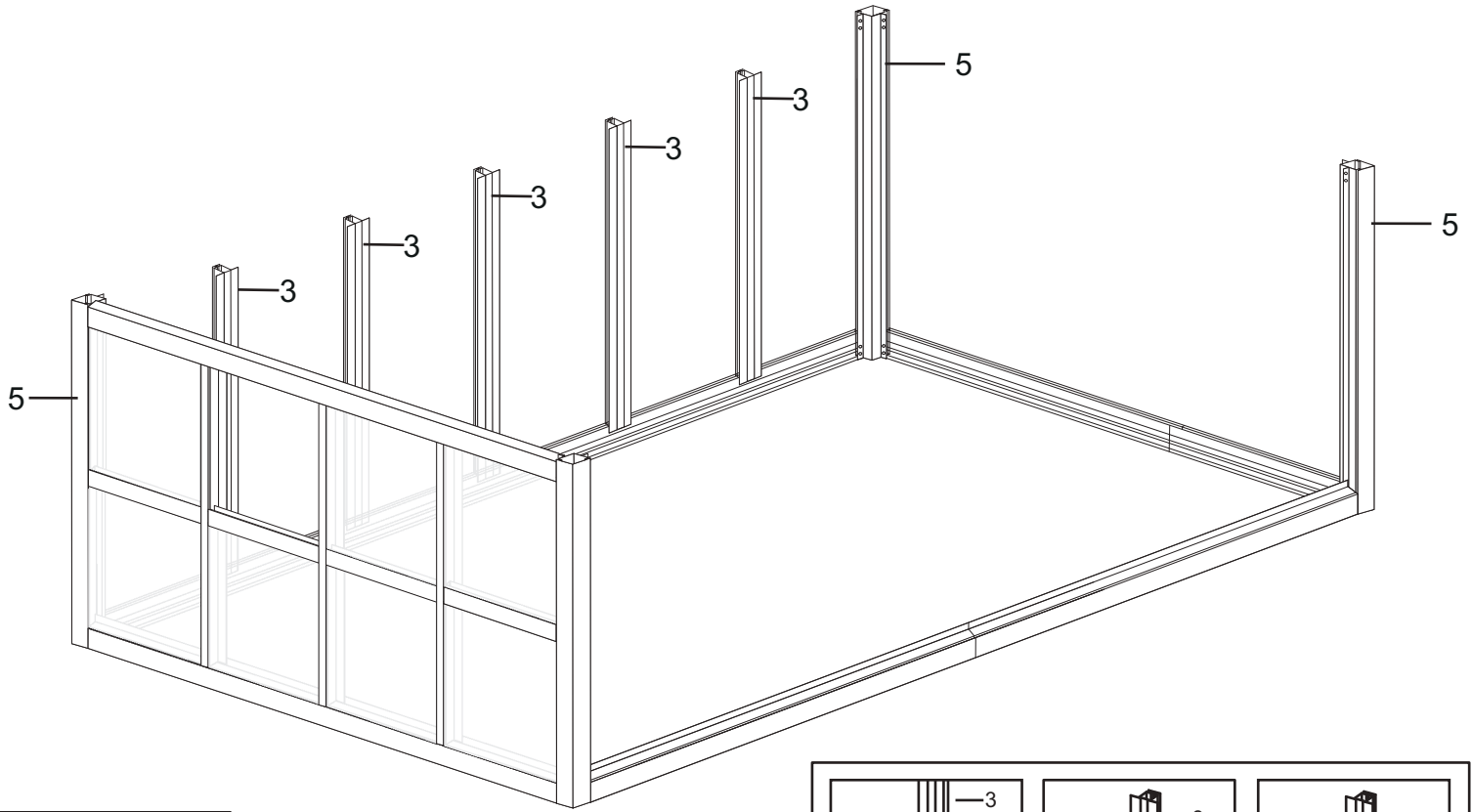
Picture	NO.	Qty.
	A	3





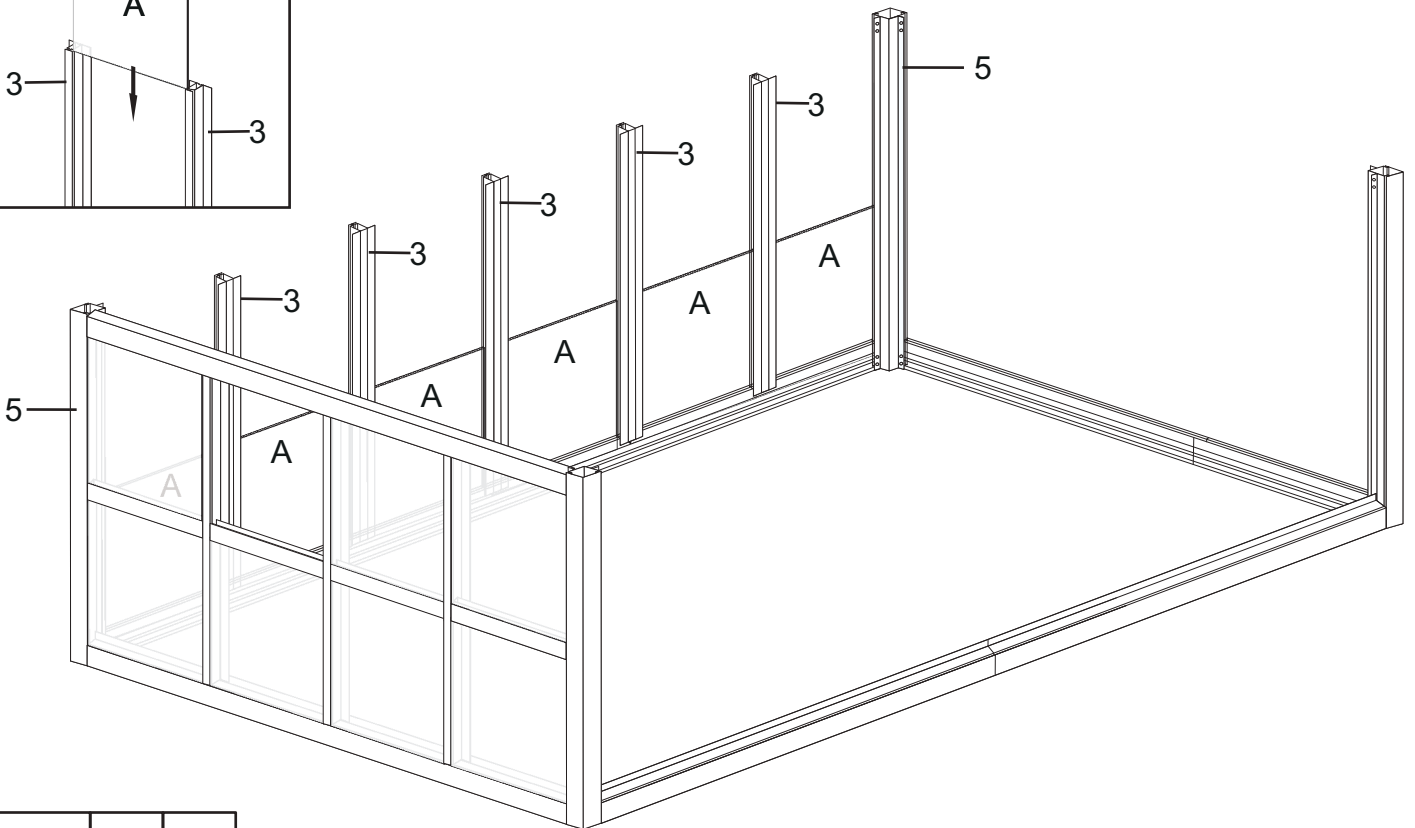
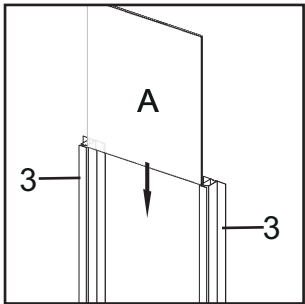
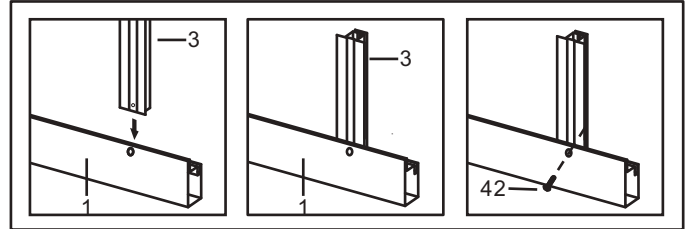
Picture	NO.	Qty.
	1B	1
	2	1
	45	2




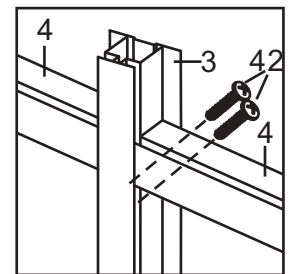
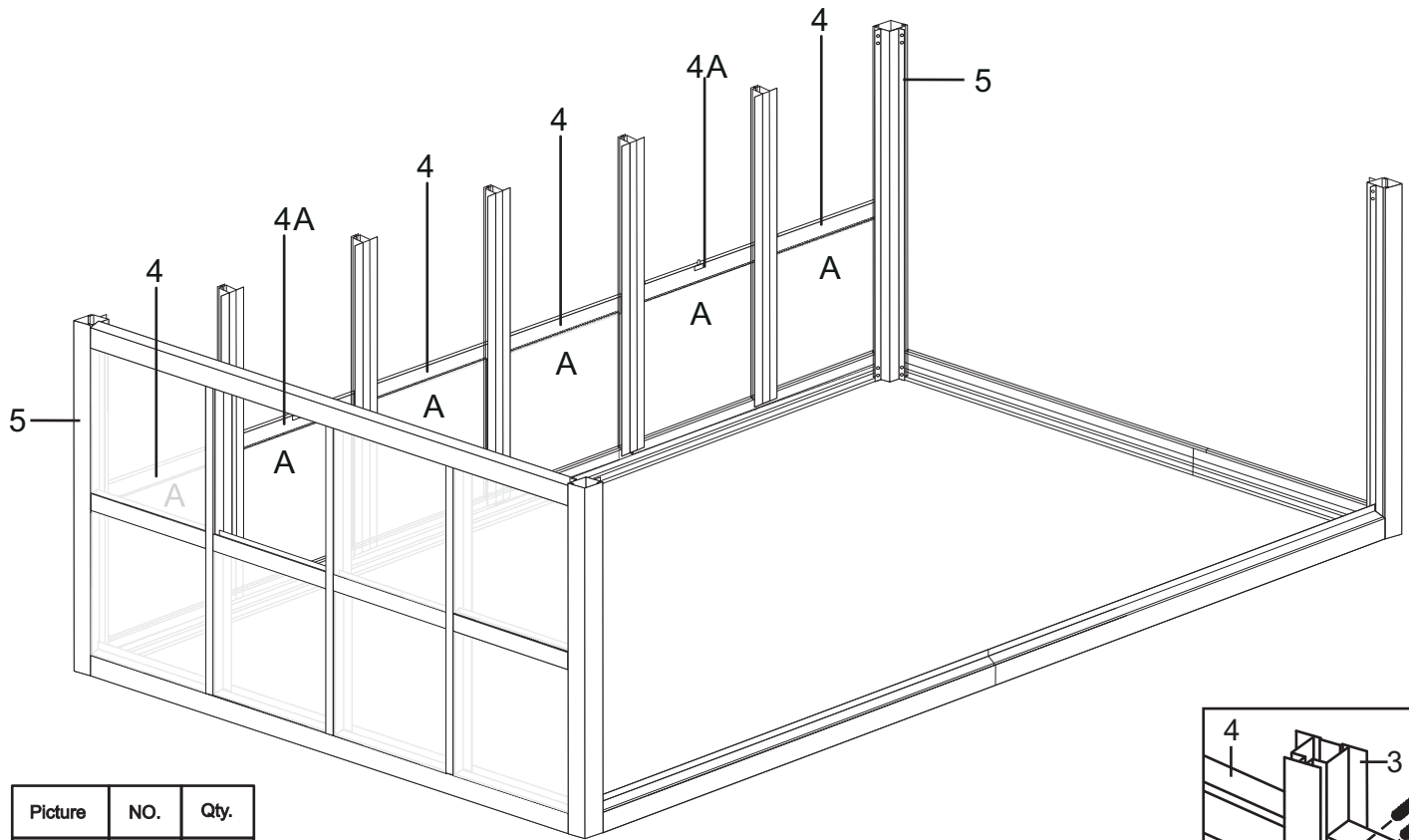
Picture	NO.	Qty.
	42	7


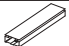



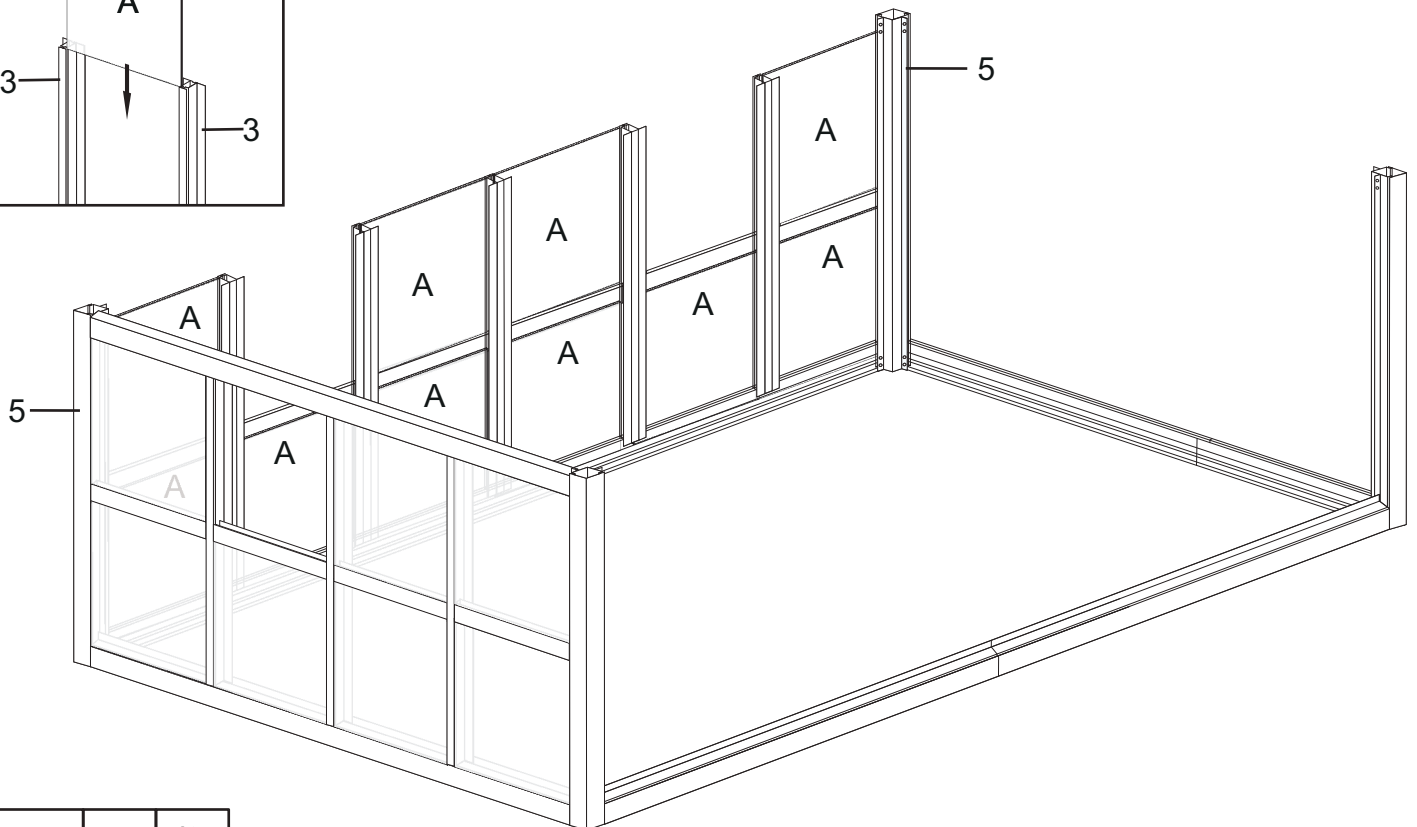
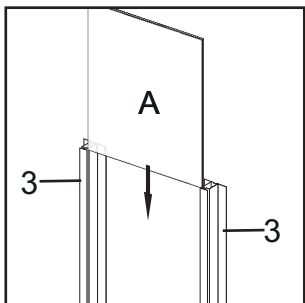
Picture	NO.	Qty.
	3	5
	42	5




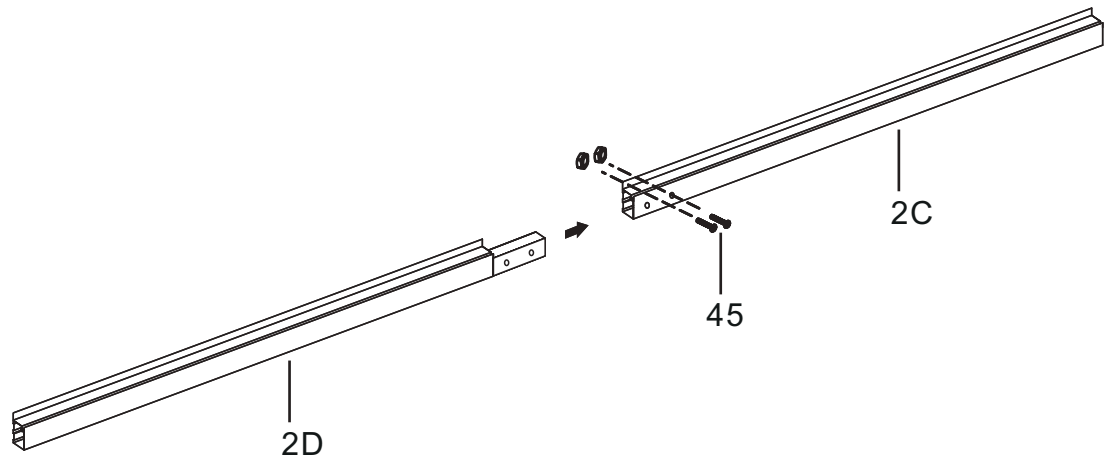
Picture	NO.	Qty.
	A	6


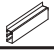



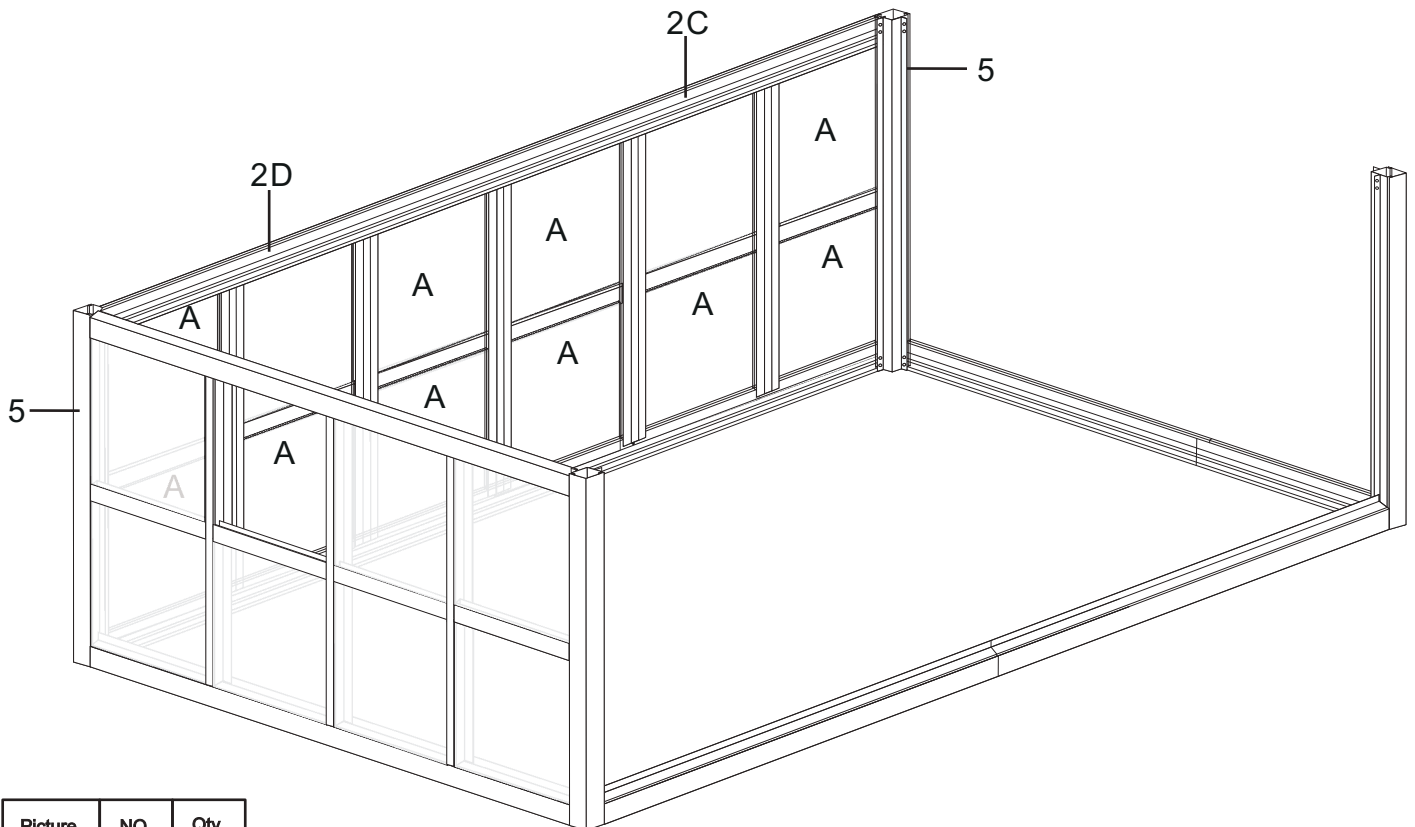
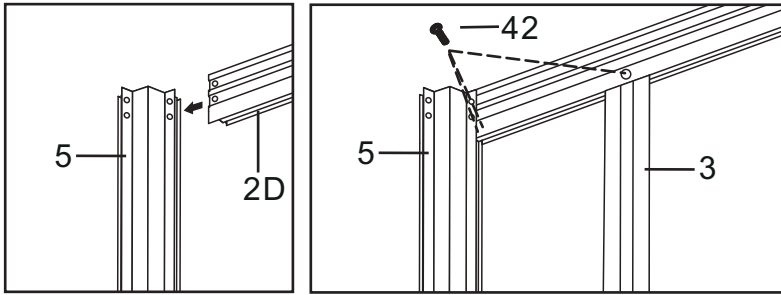
Picture	NO.	Qty.
	4	4
	4A	2
	42	24




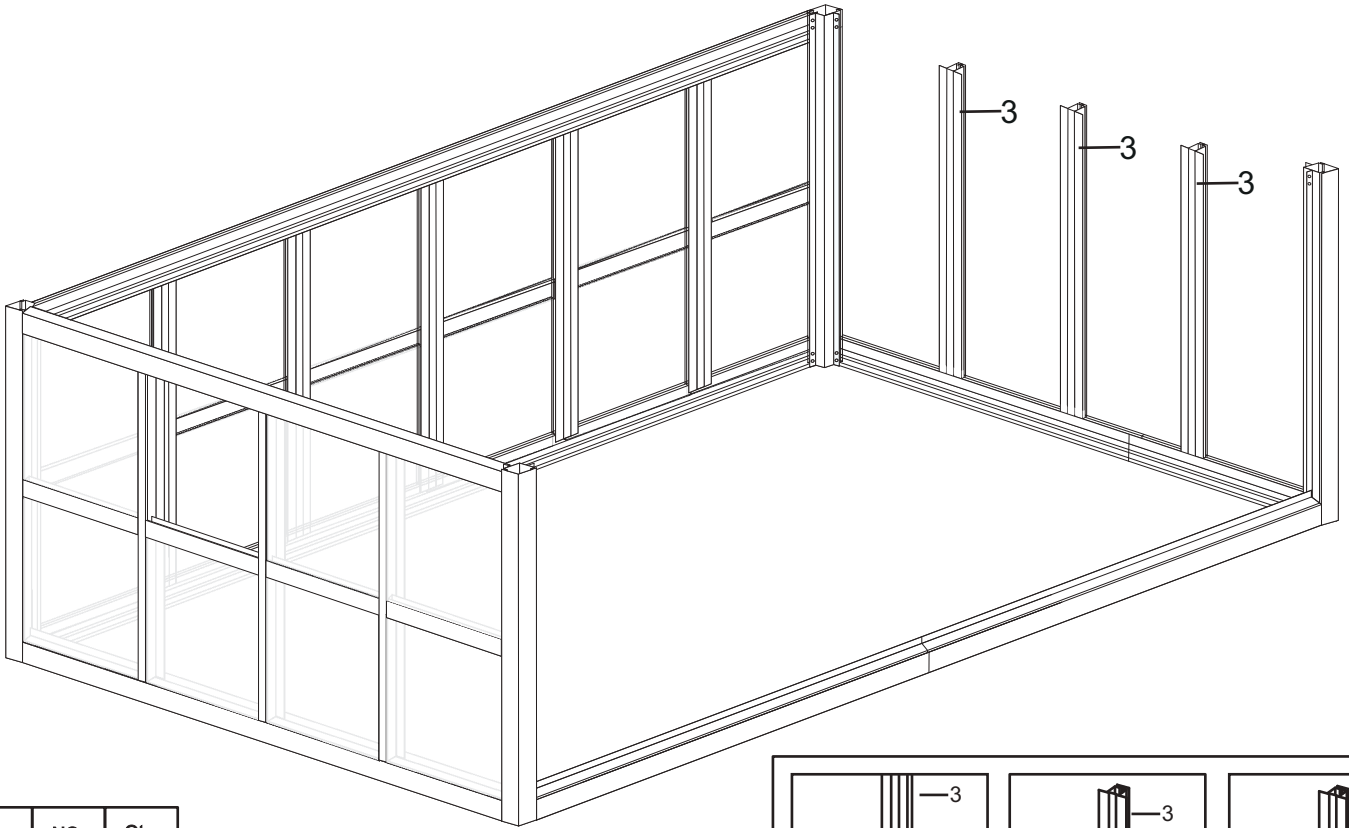
Picture	NO.	Qty.
	A	4





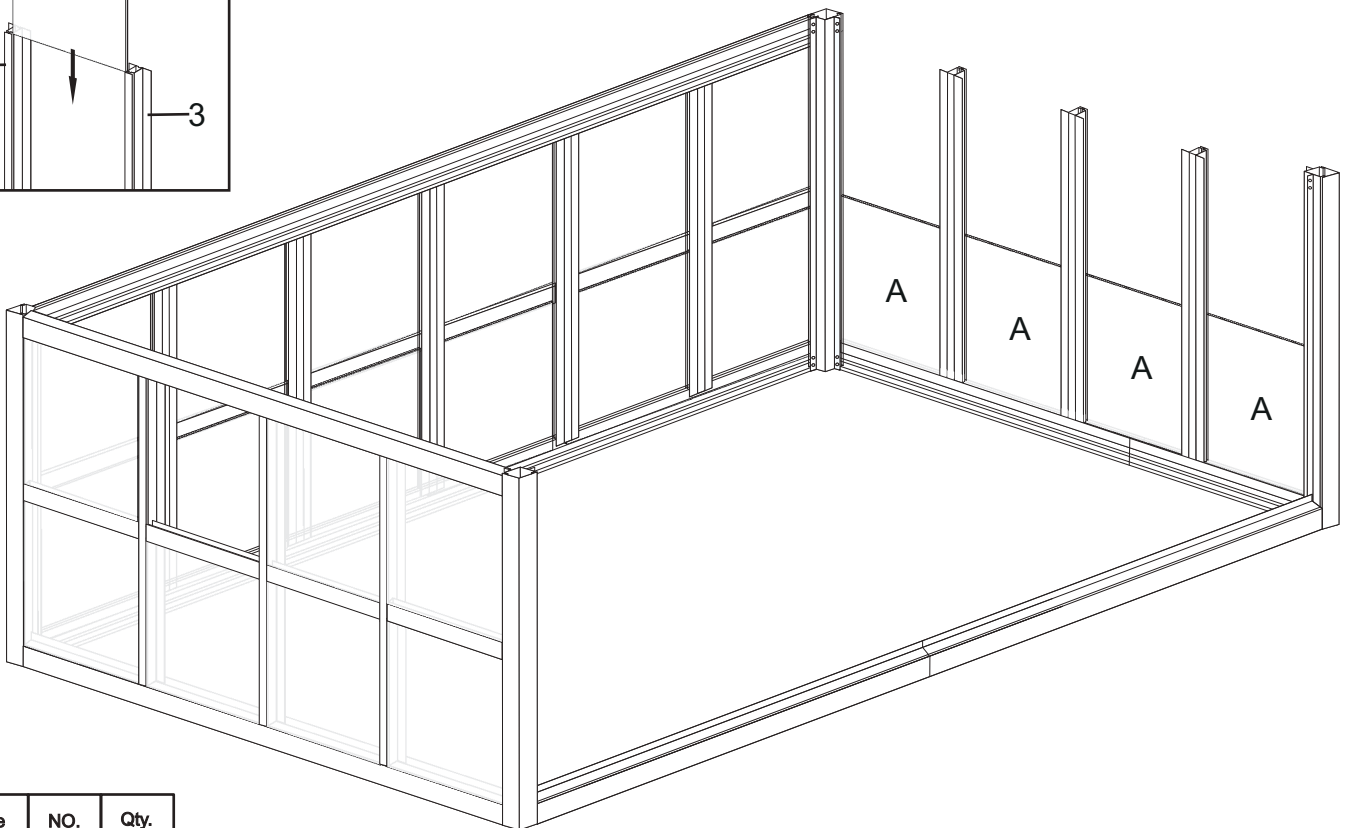
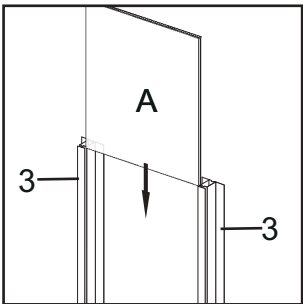
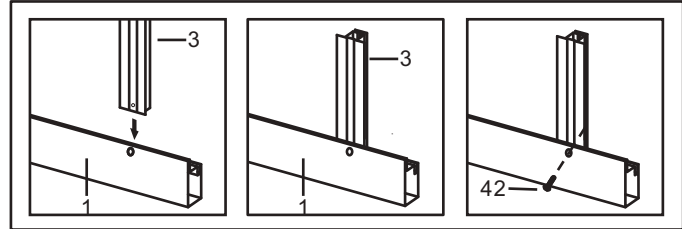
Picture	NO.	Qty.
	2C	1
	2D	1
	45	2




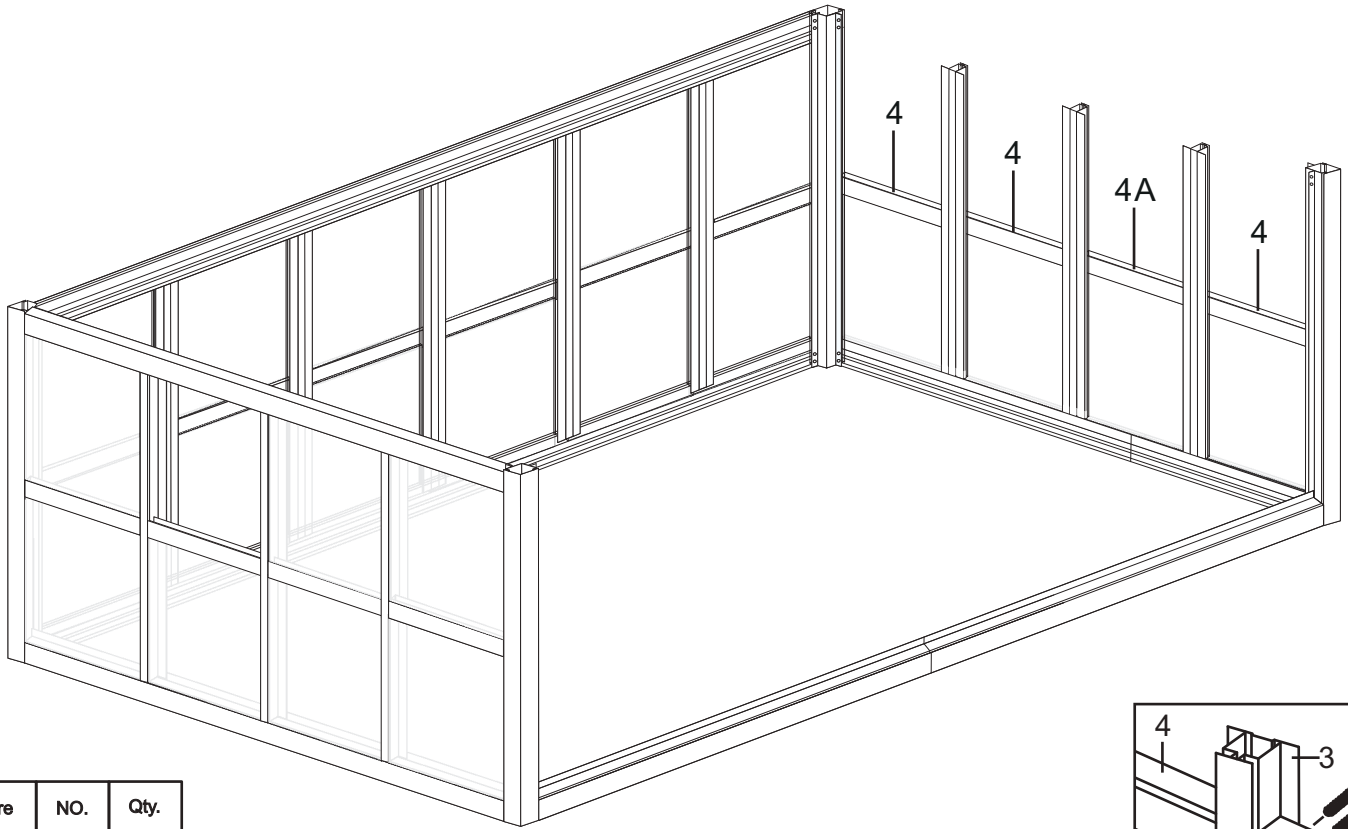
Picture	NO.	Qty.
	42	9






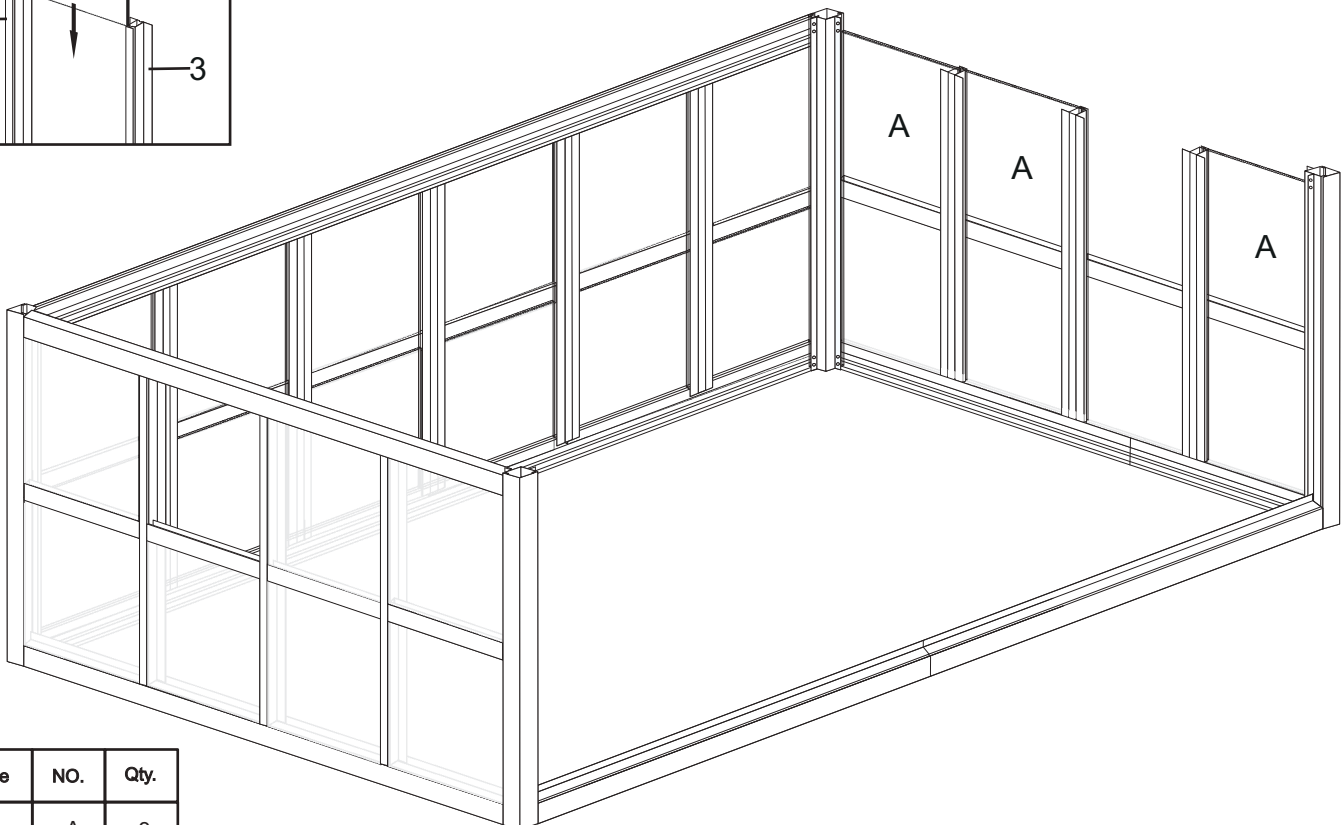
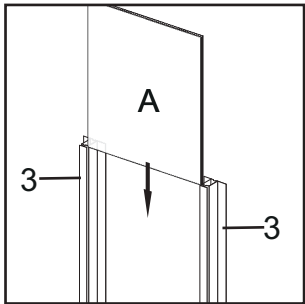
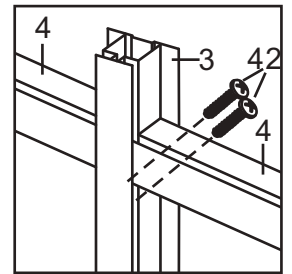
Picture	NO.	Qty.
	3	3
	42	3




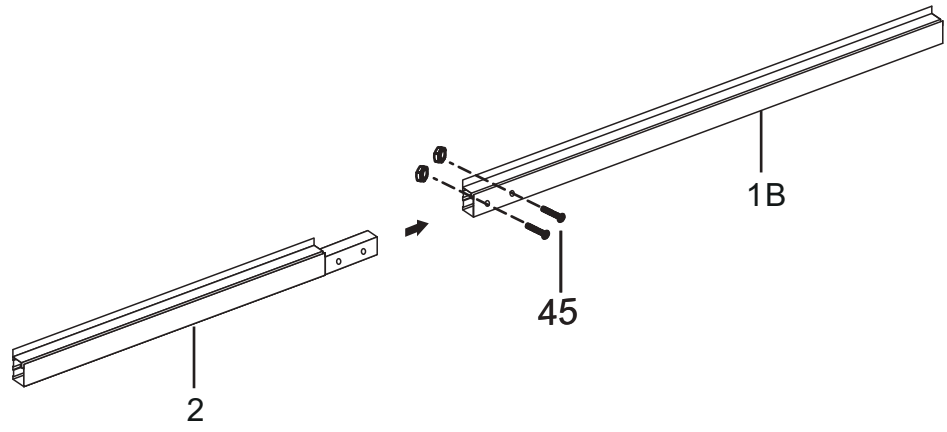
Picture	NO.	Qty.
	A	4



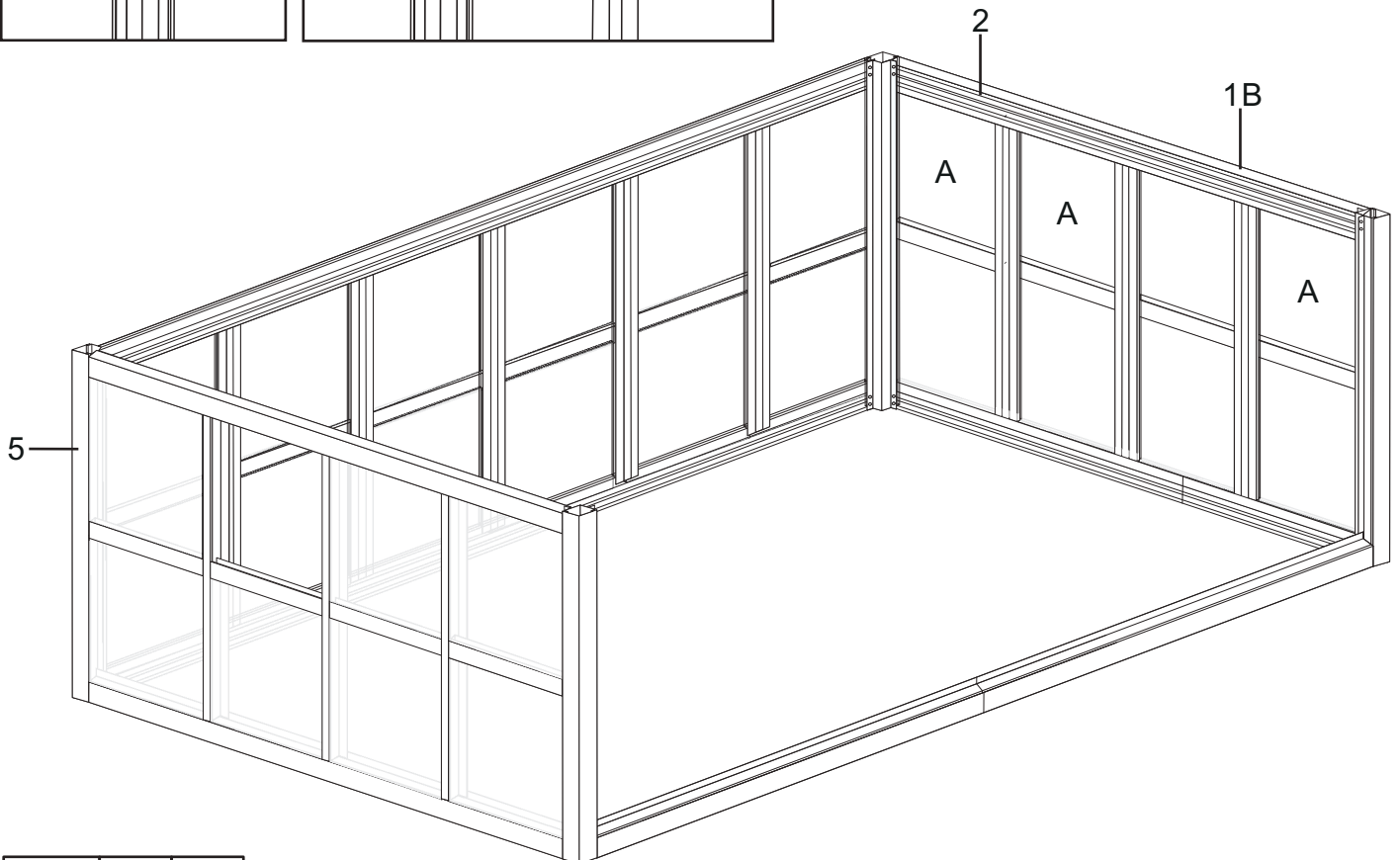
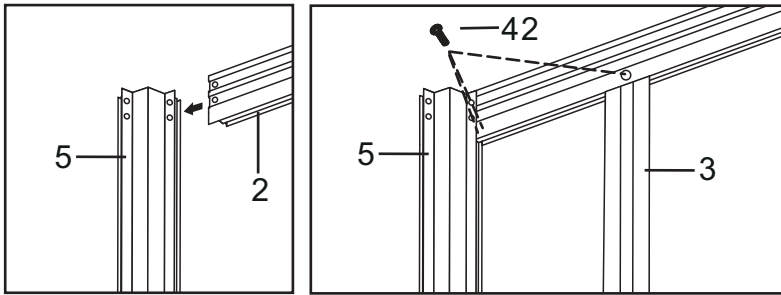
Picture	NO.	Qty.
	4	3
	4A	1
	42	16



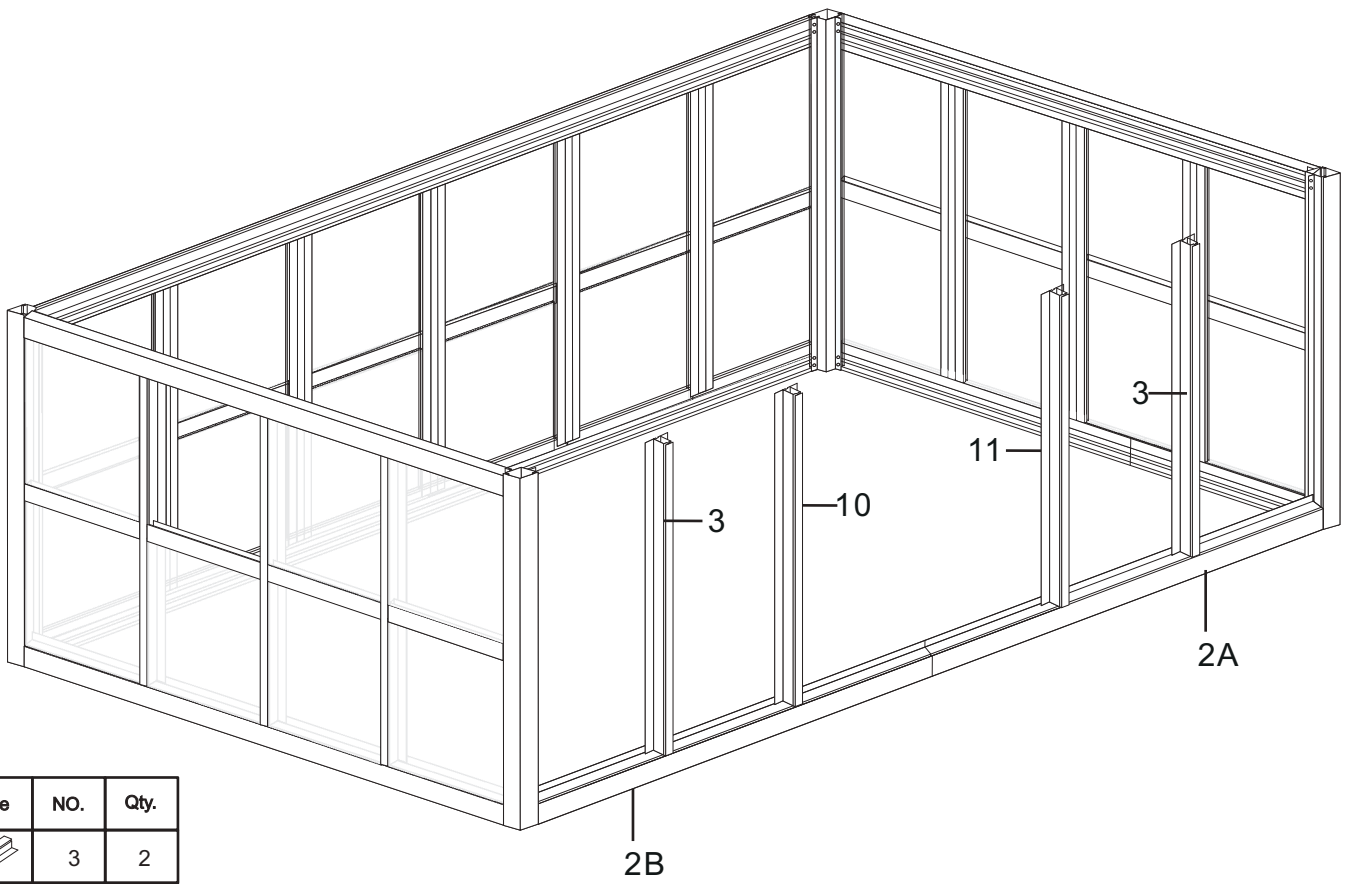
Picture	NO.	Qty.
	A	3







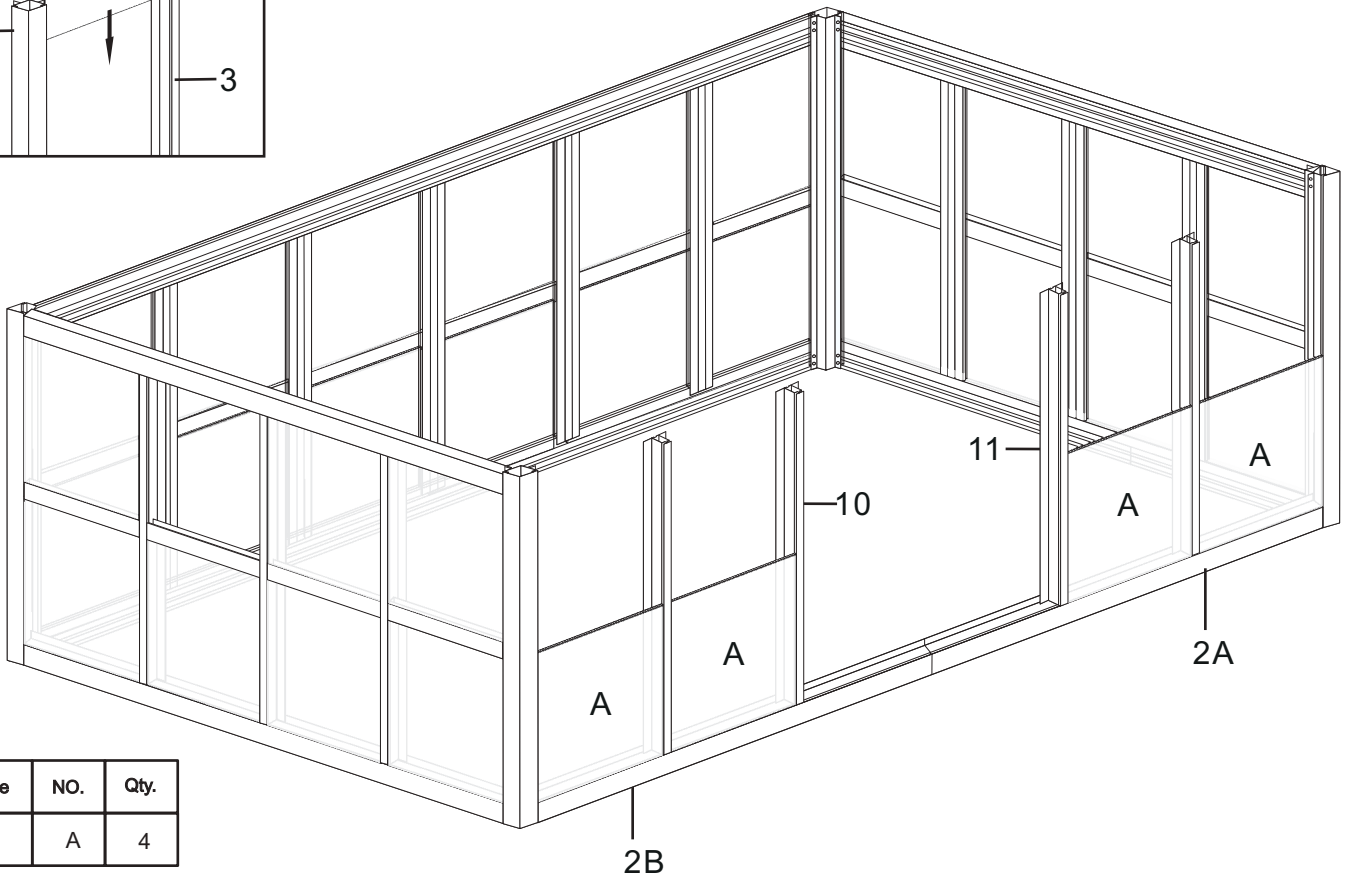
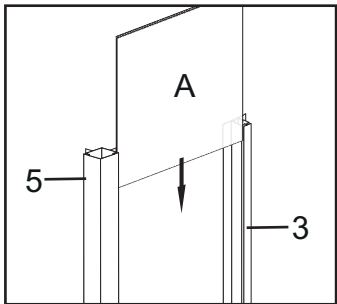
Picture	NO.	Qty.
	1B	1
	2	1
	45	2




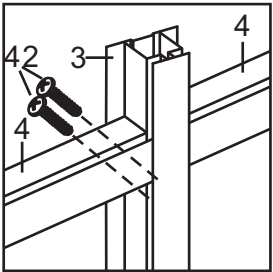
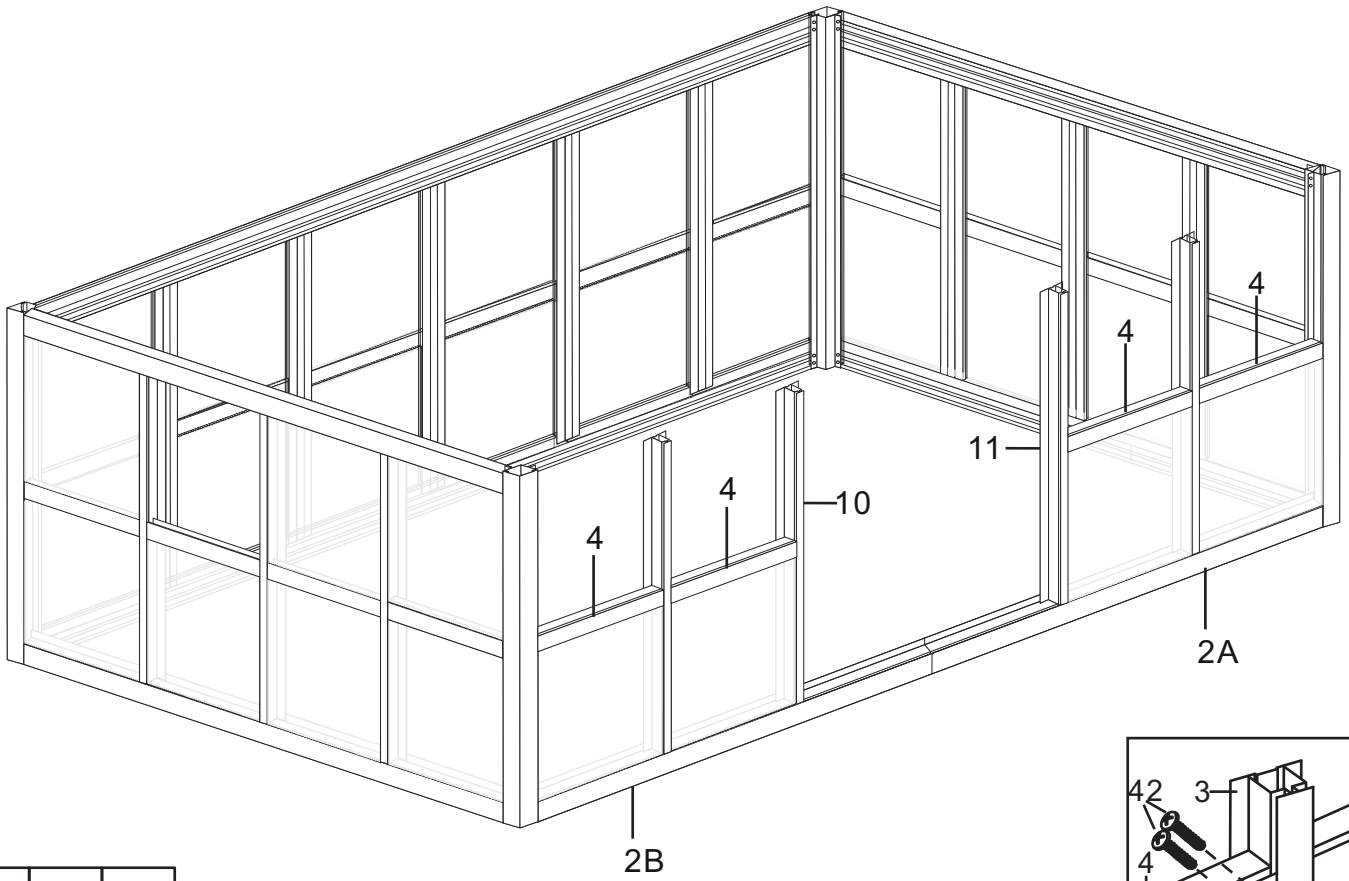
Picture	NO.	Qty.
	42	7



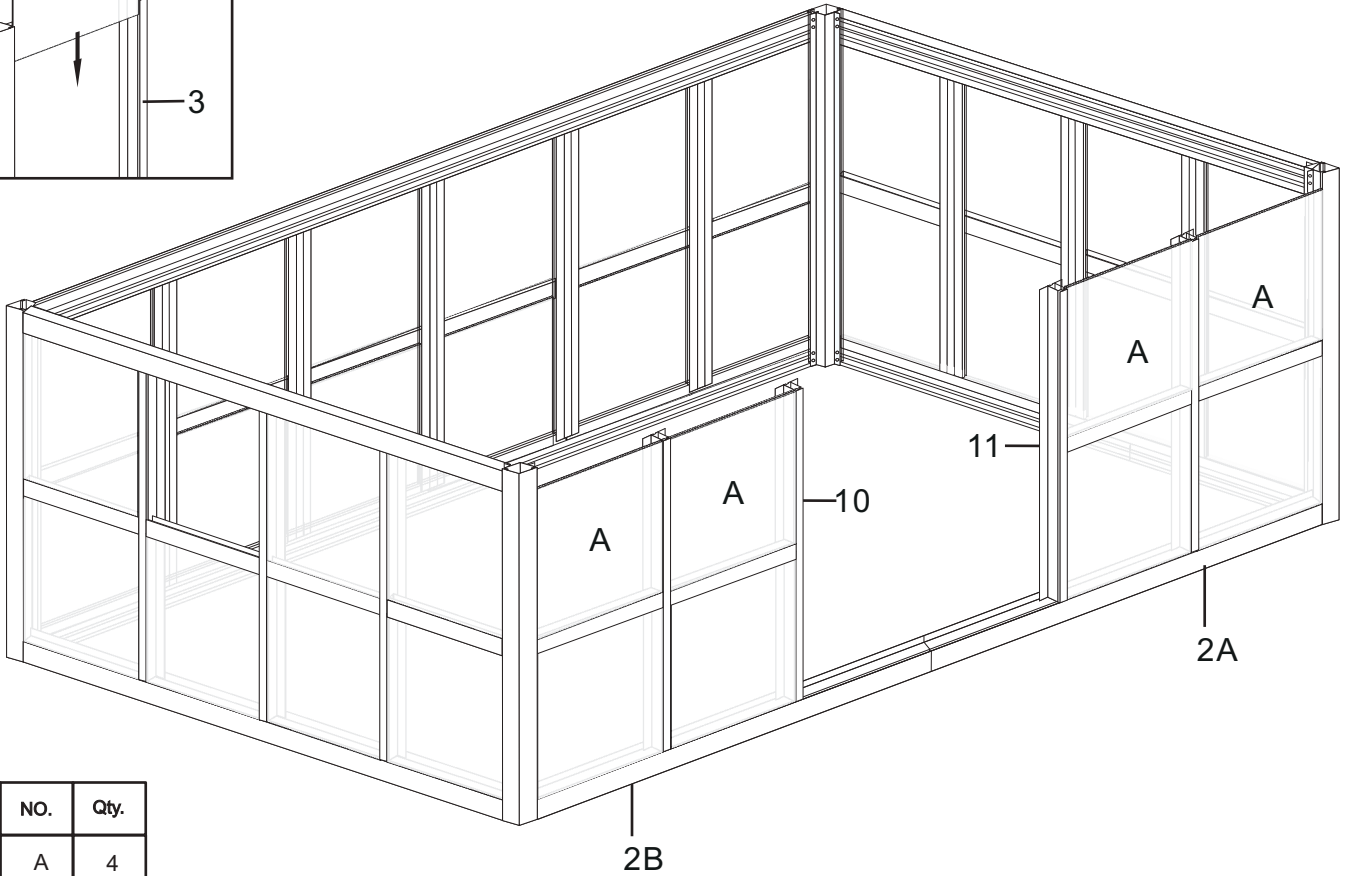
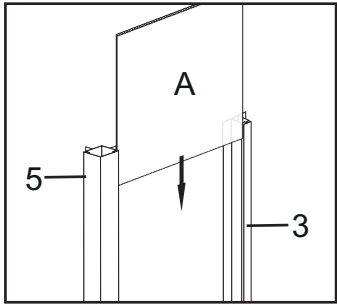
Picture	NO.	Qty.
	3	2
	10	1
	11	1
	42	4



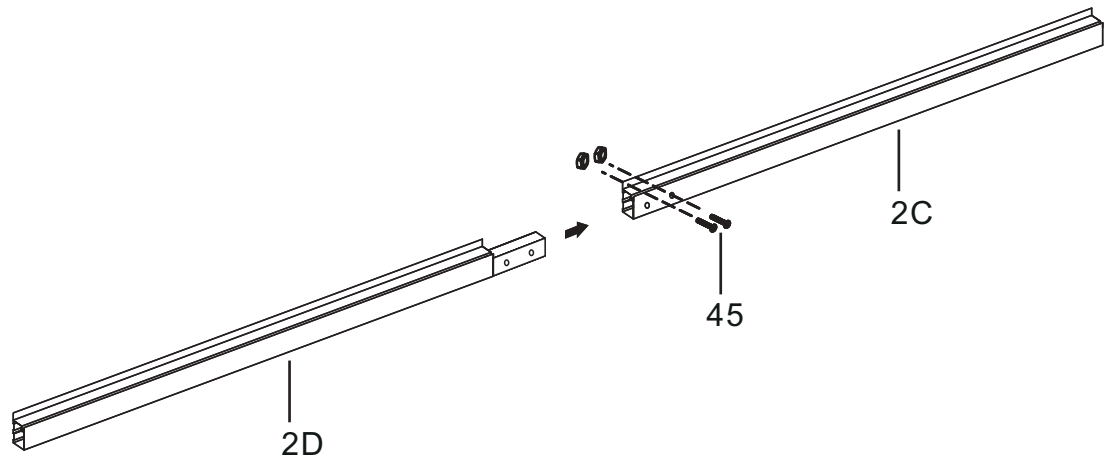
Picture	NO.	Qty.
	A	4

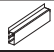
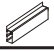



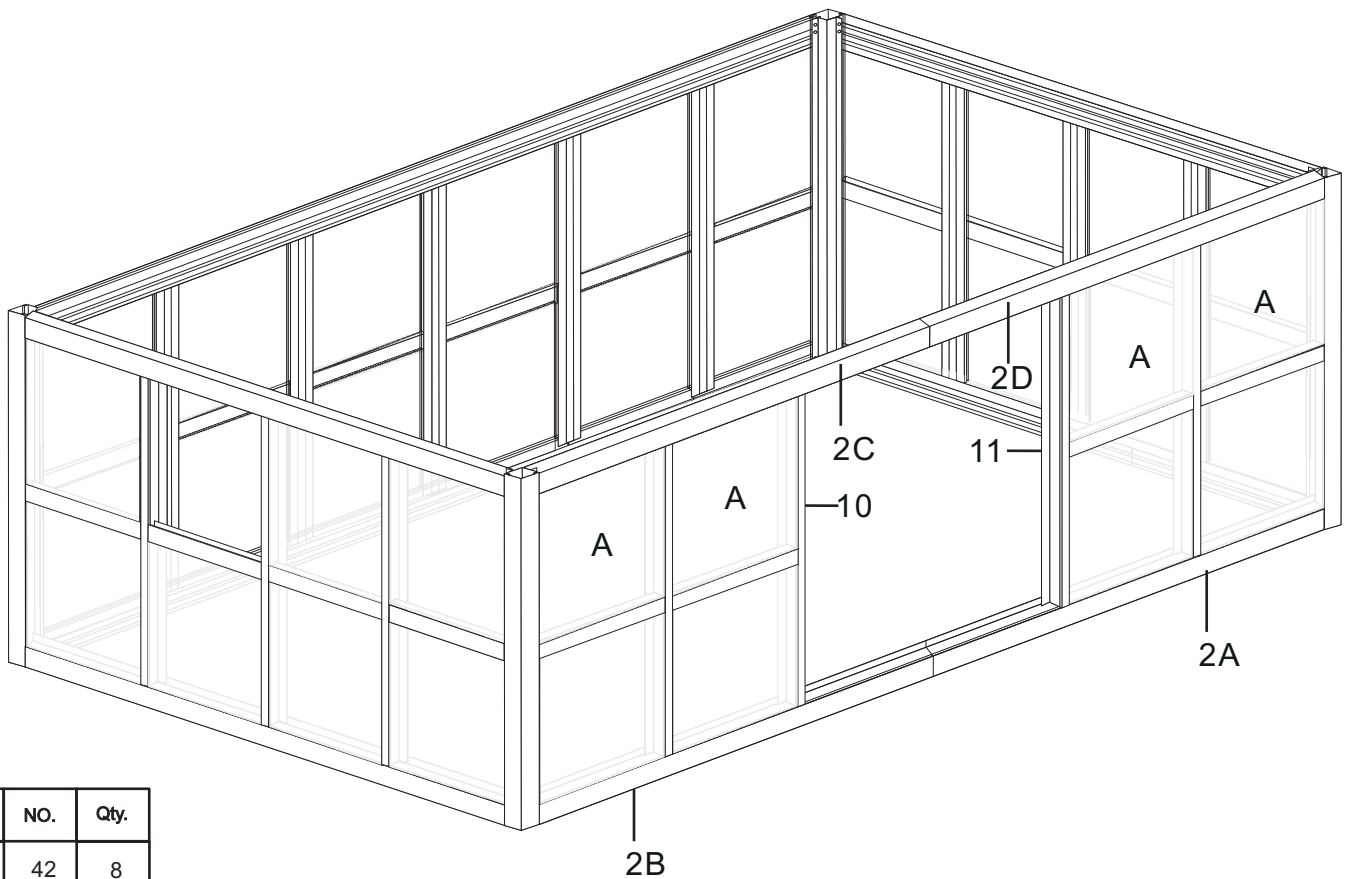
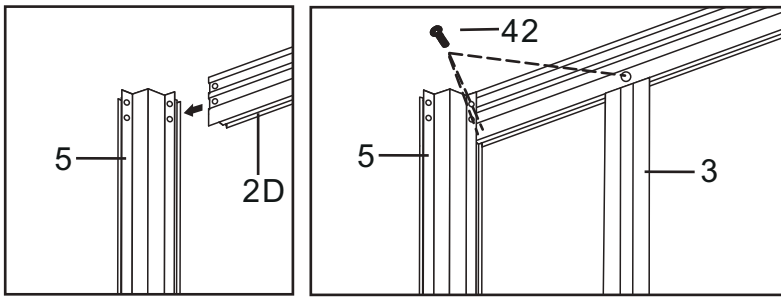
Picture	NO.	Qty.
	4	4
	42	16




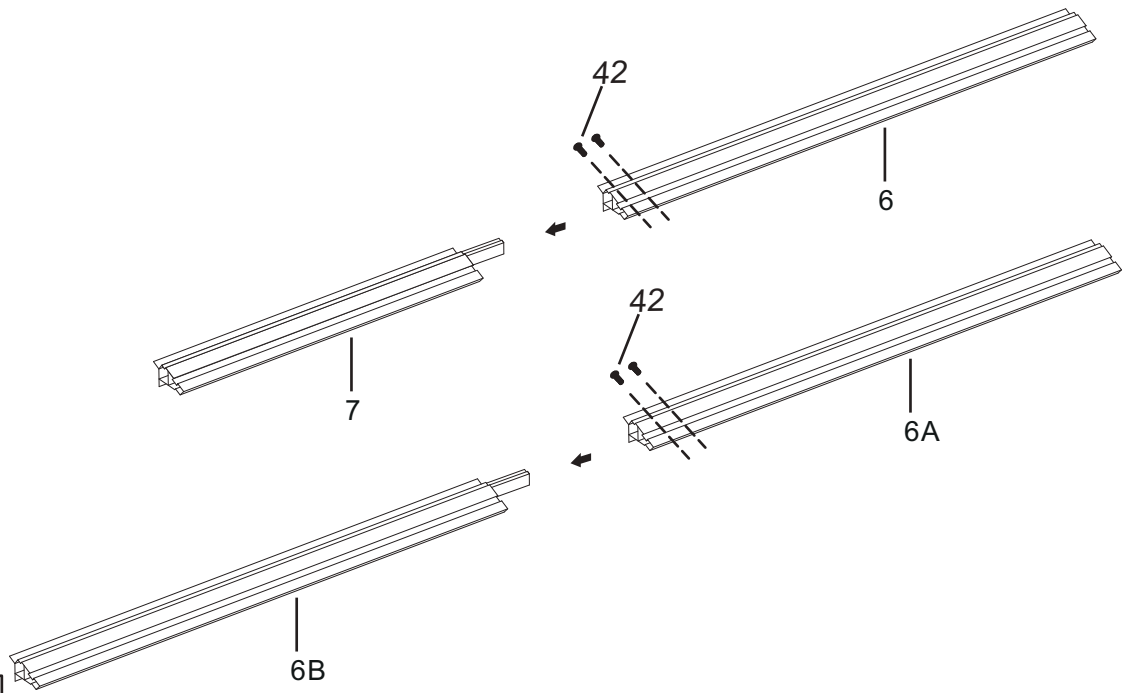
Picture	NO.	Qty.
	A	4



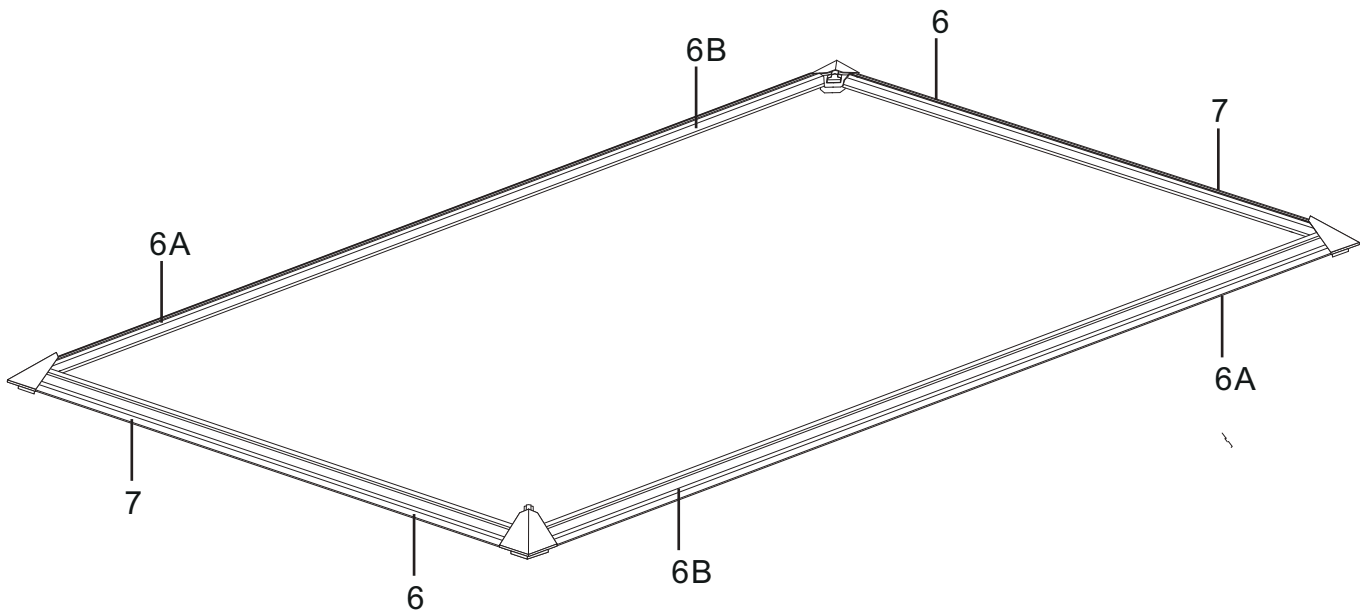
Picture	NO.	Qty.
	2C	1
	2D	1
	45	2



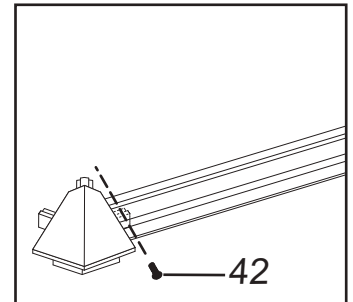
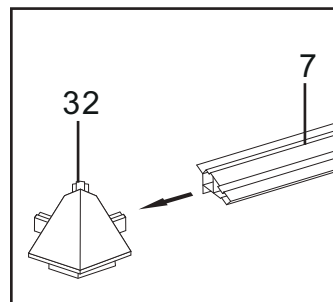
Picture	NO.	Qty.
	42	8

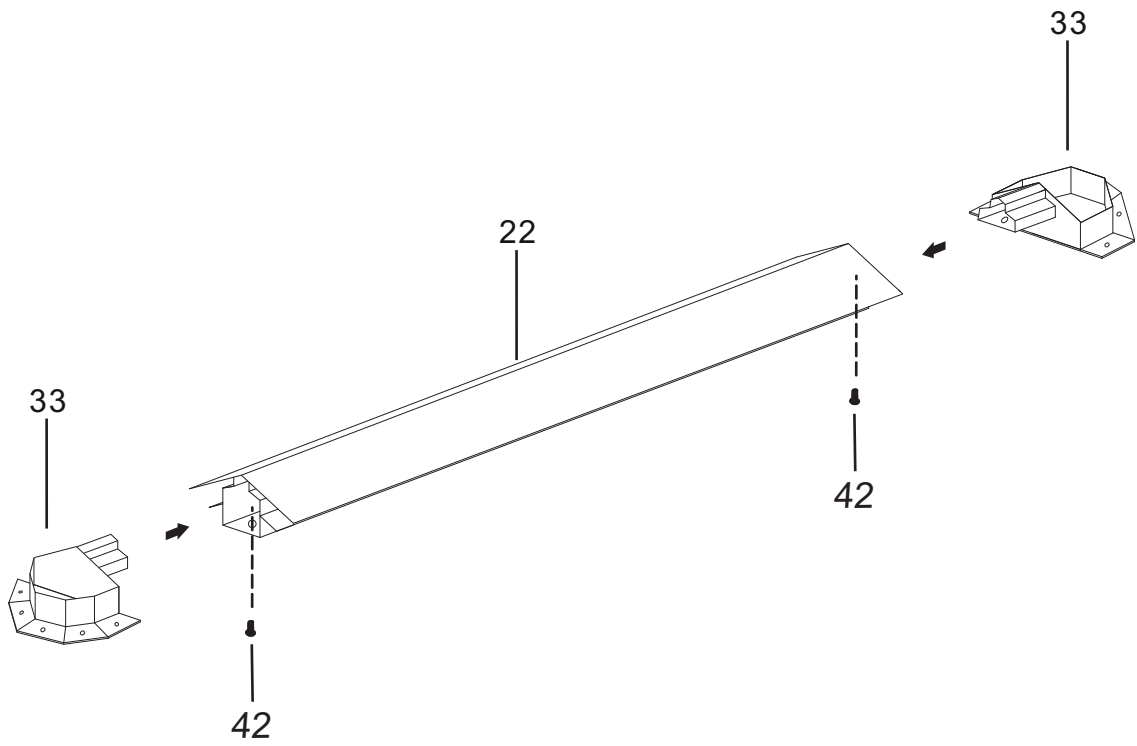


Picture	NO.	Qty.
	6	2
	6A	2
	6B	2
	7	2
	42	8

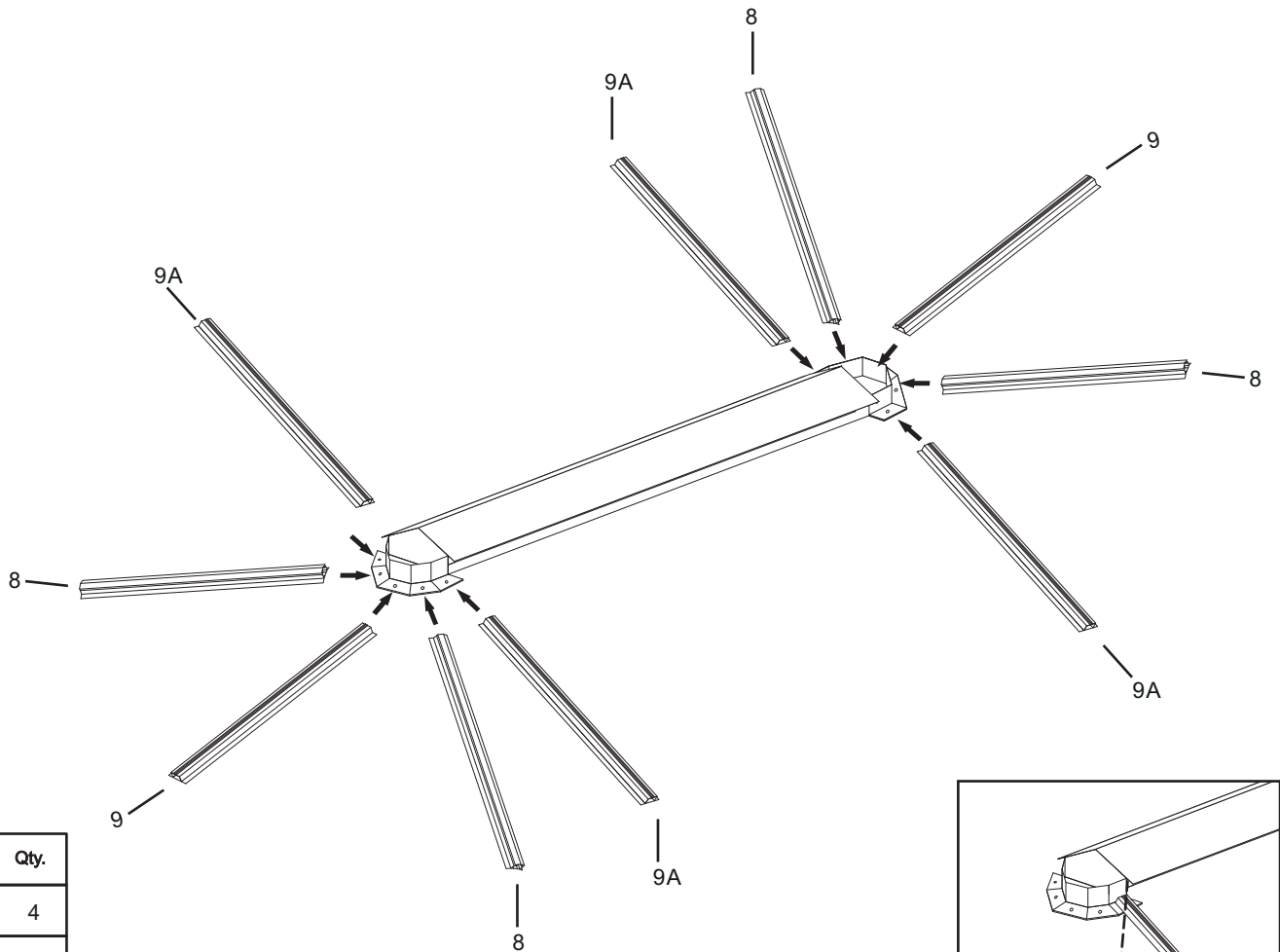


Picture	NO.	Qty.
	32	4
	42	8

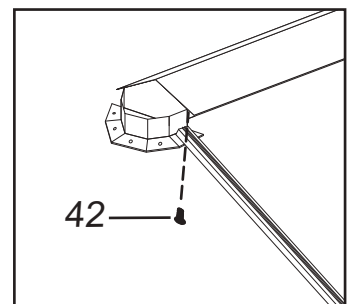


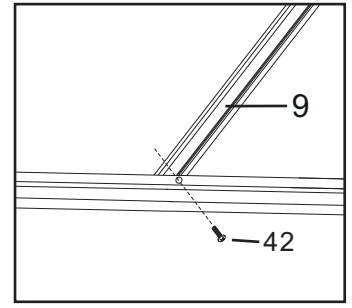
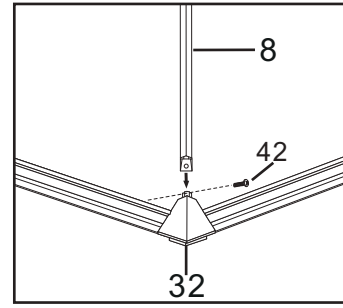
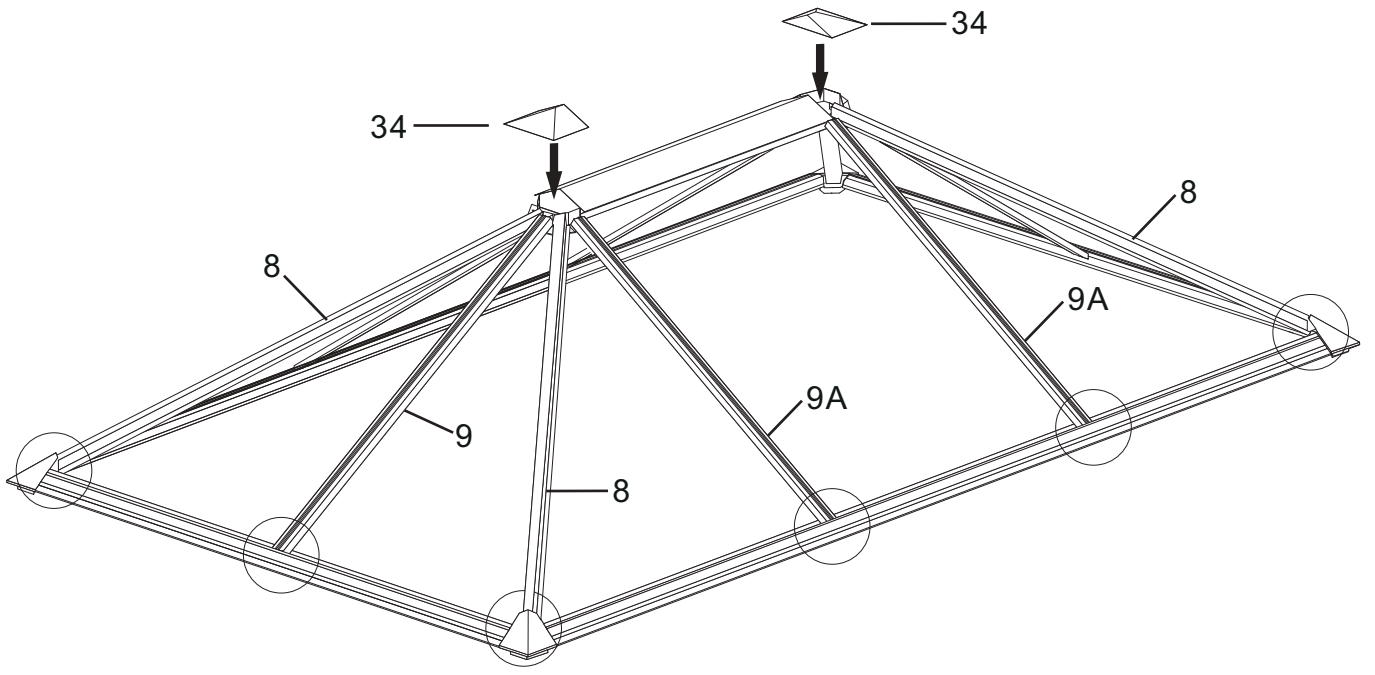


Picture	NO.	Qty.
	22	1
	33	2
	42	2

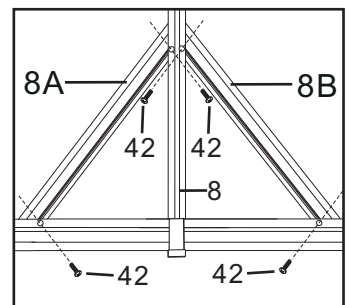
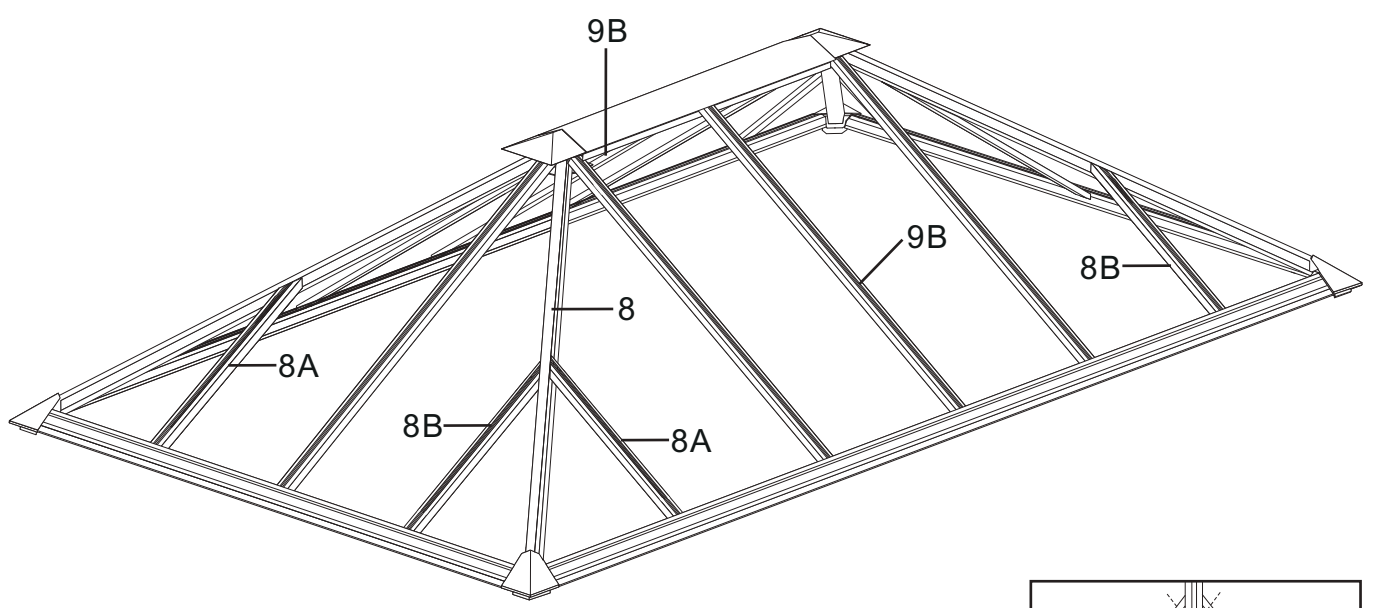


Picture	NO.	Qty.
	8	4
	9	2
	9A	4
	42	10

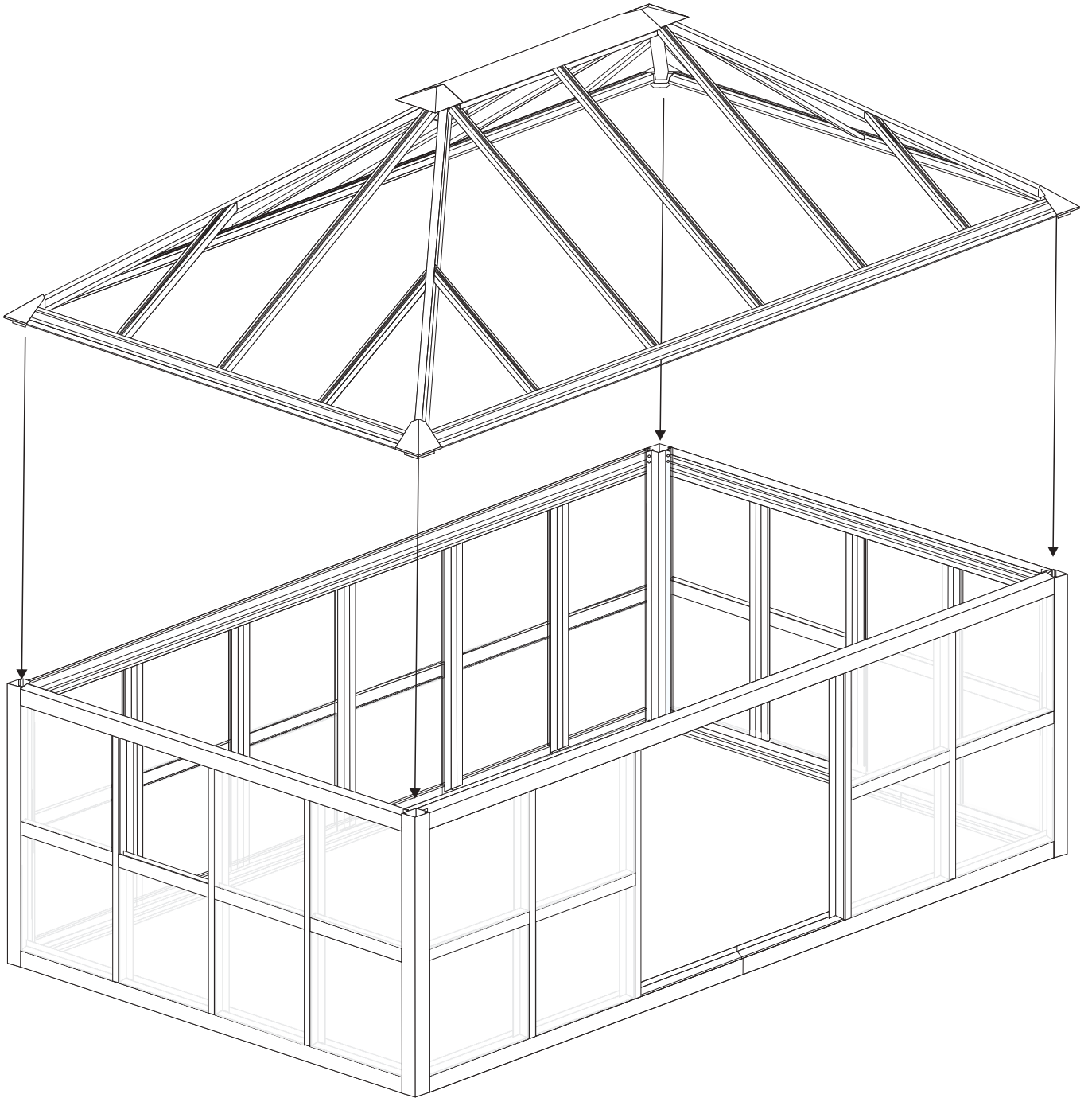


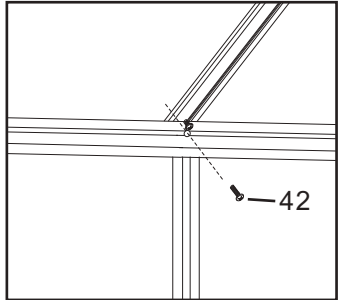
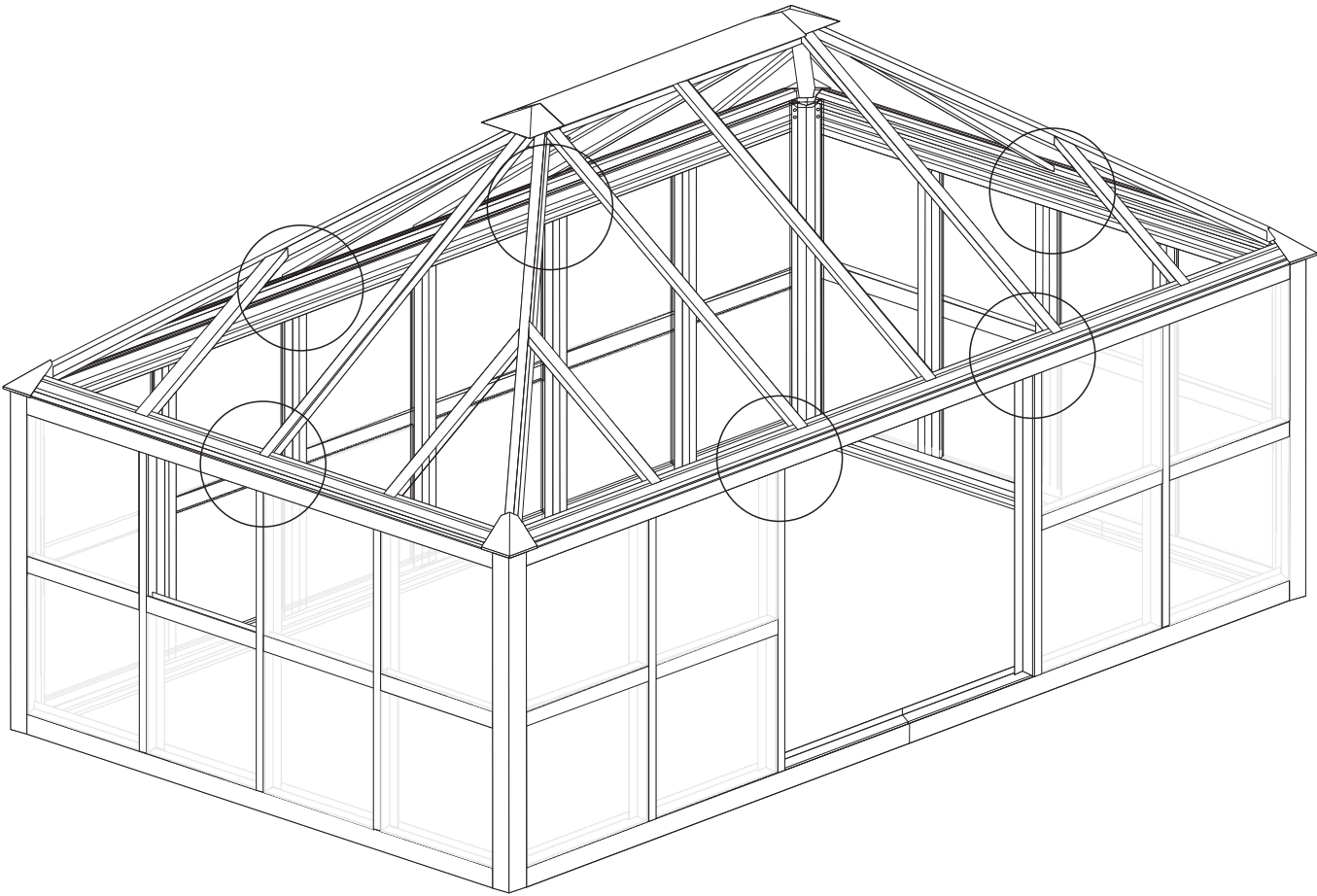



Picture	NO.	Qty.
	34	2
	42	10

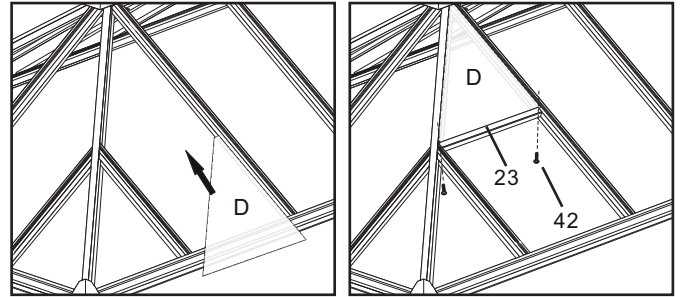
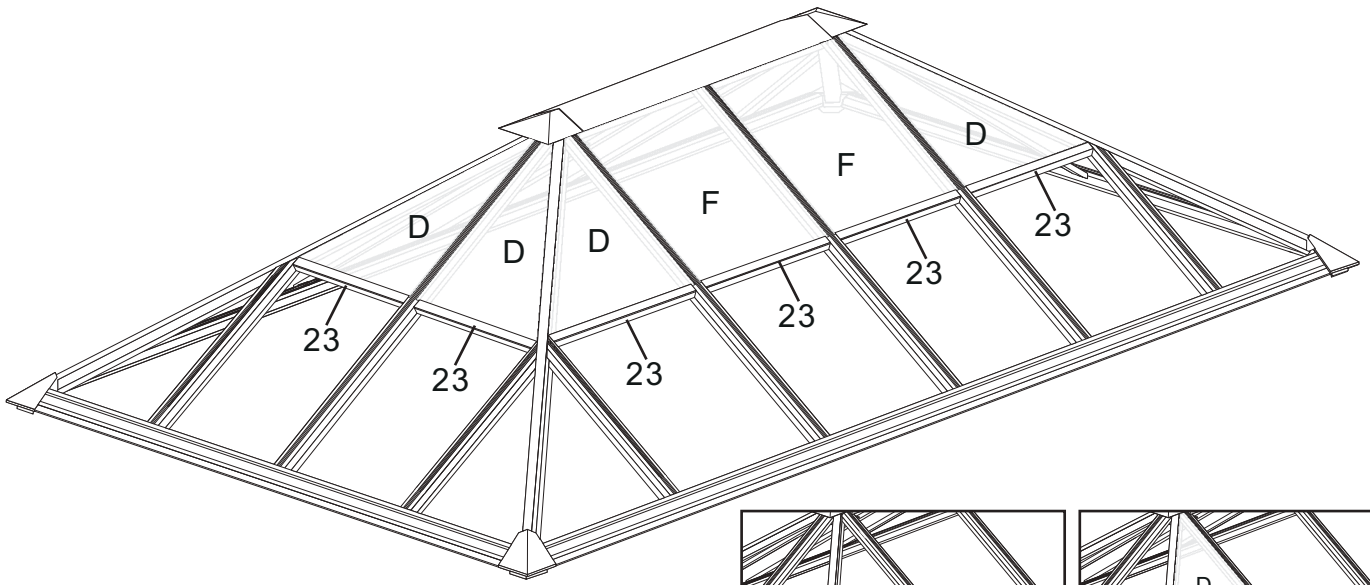


Picture	NO.	Qty.
	8A	4
	8B	4
	9B	2
	42	20



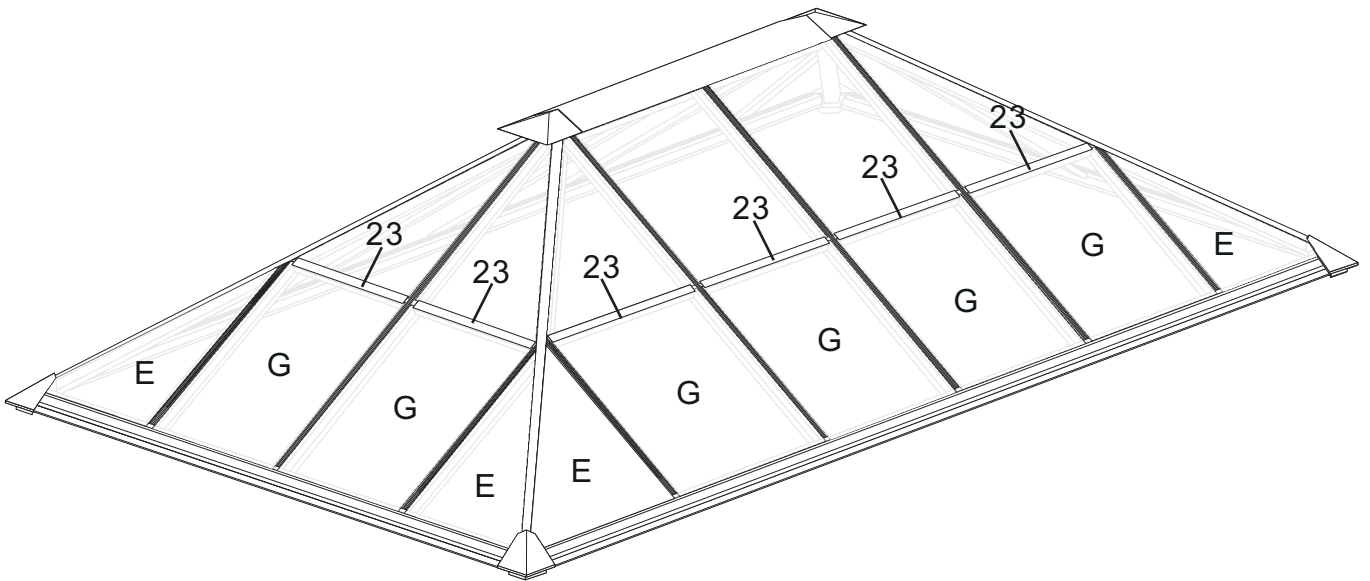
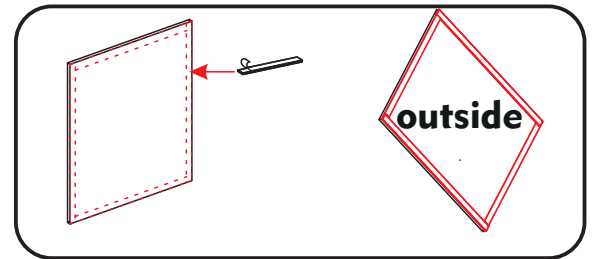


Picture	NO.	Qty.
	42	6

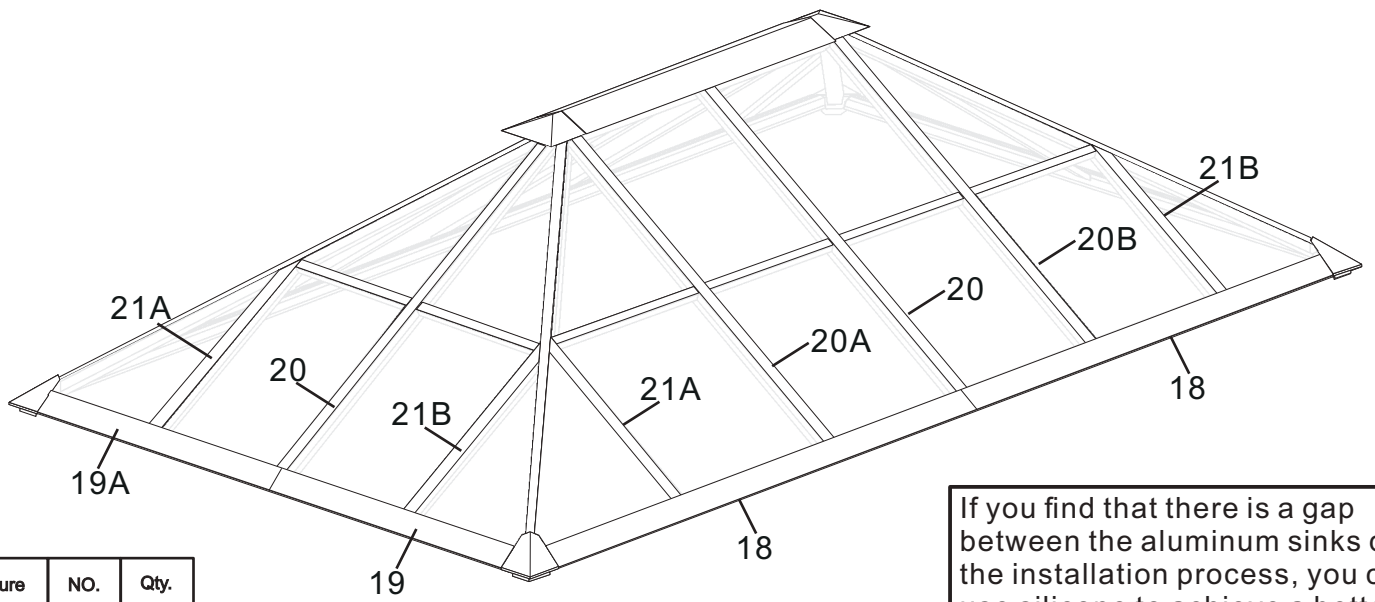


Picture	NO.	Qty.
	D	8
	F	4
	23	12
	42	24

1. Prior to installing D, E, F glass, attach waterproof stickers around the glass as shown in the illustration.
2. When installing the glass, the side of the waterproof tape is facing outwards

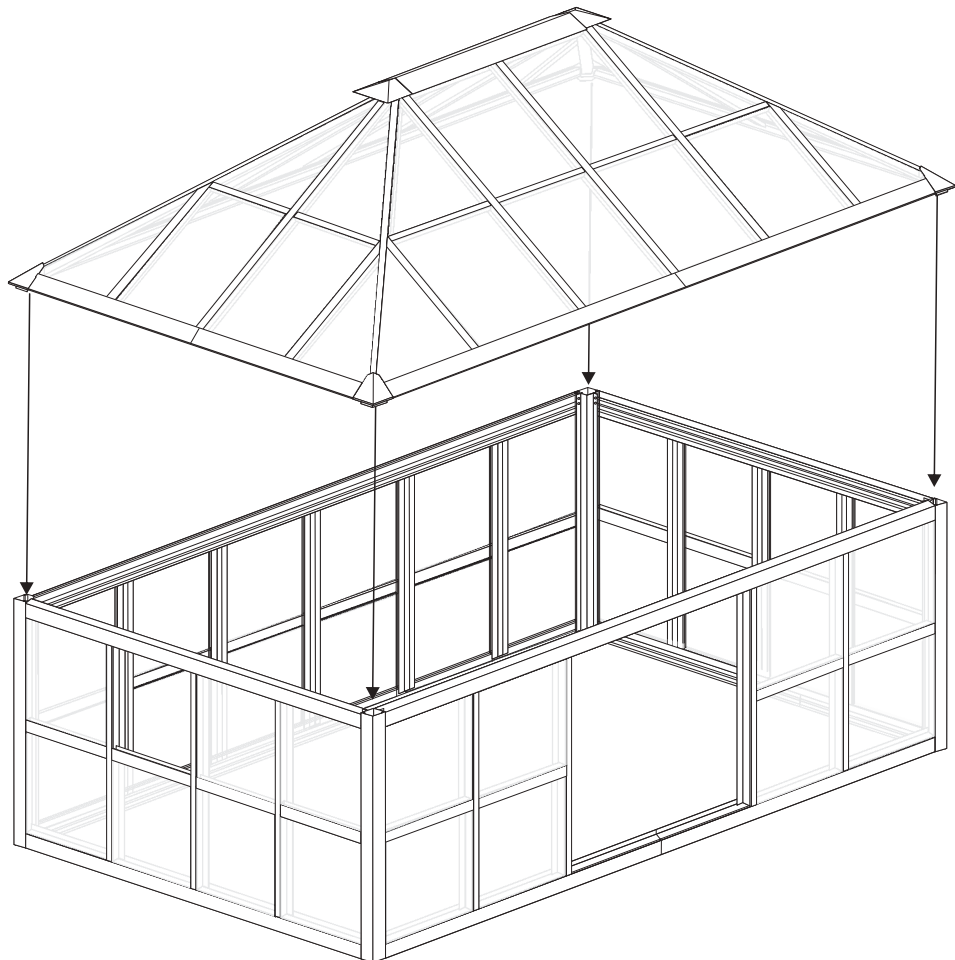
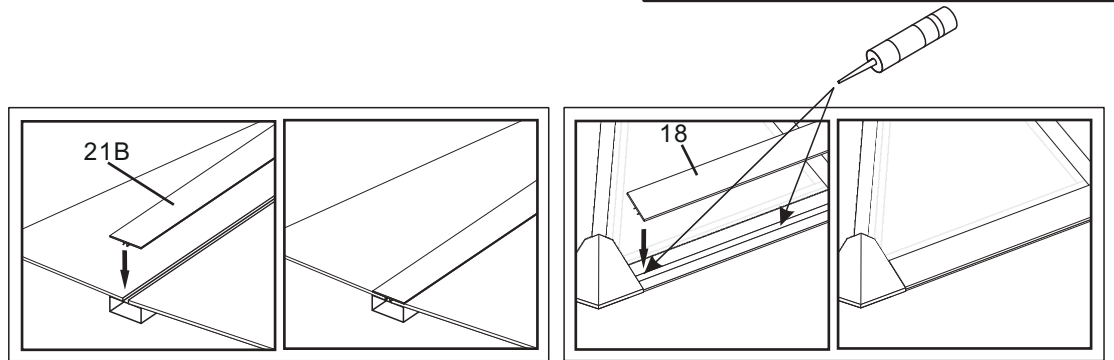


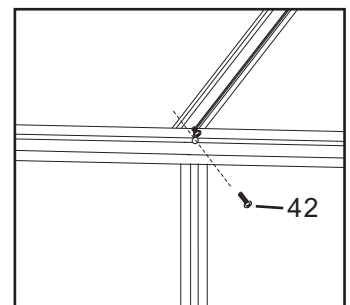
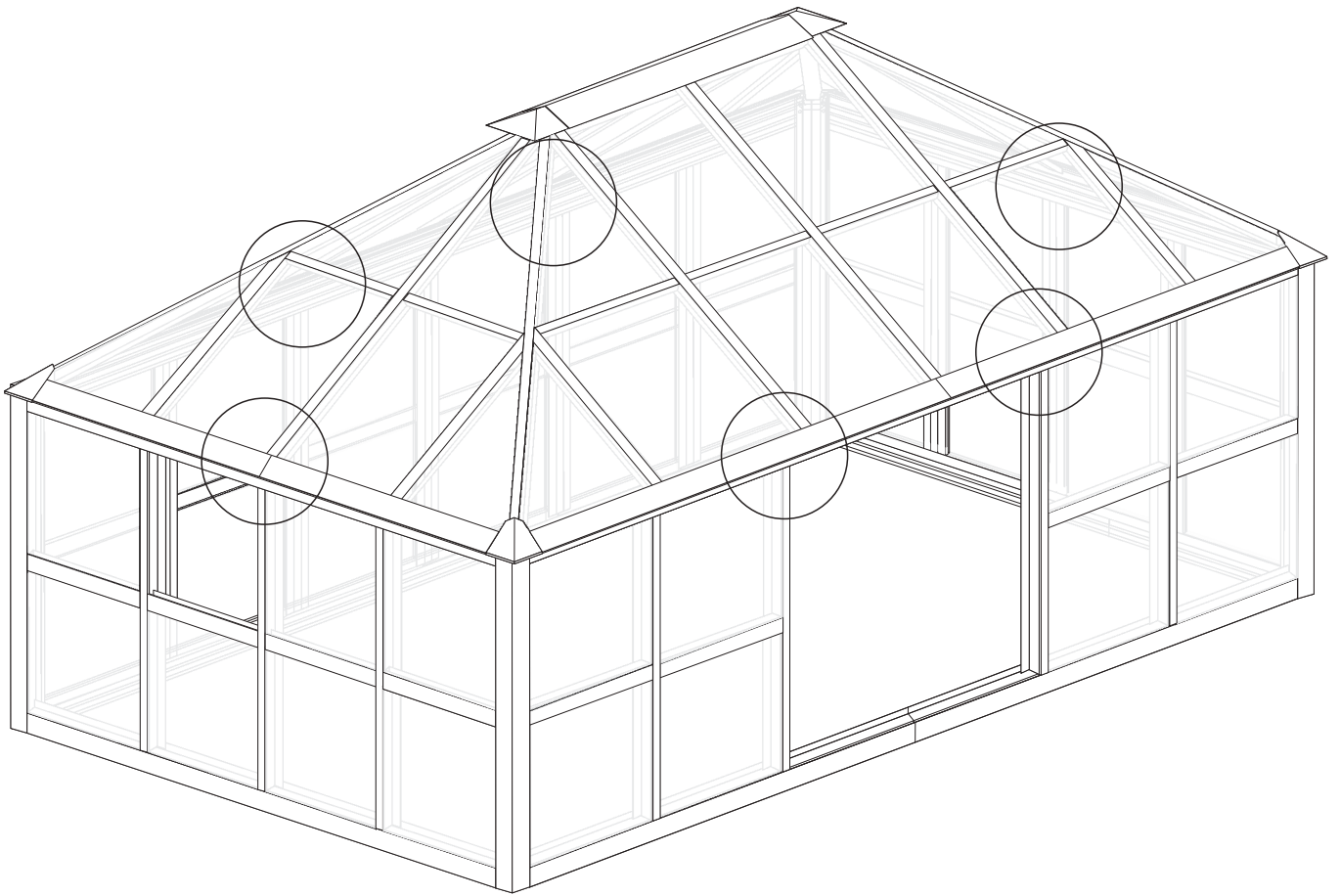
Picture	NO.	Qty.
	G	12
	E	8




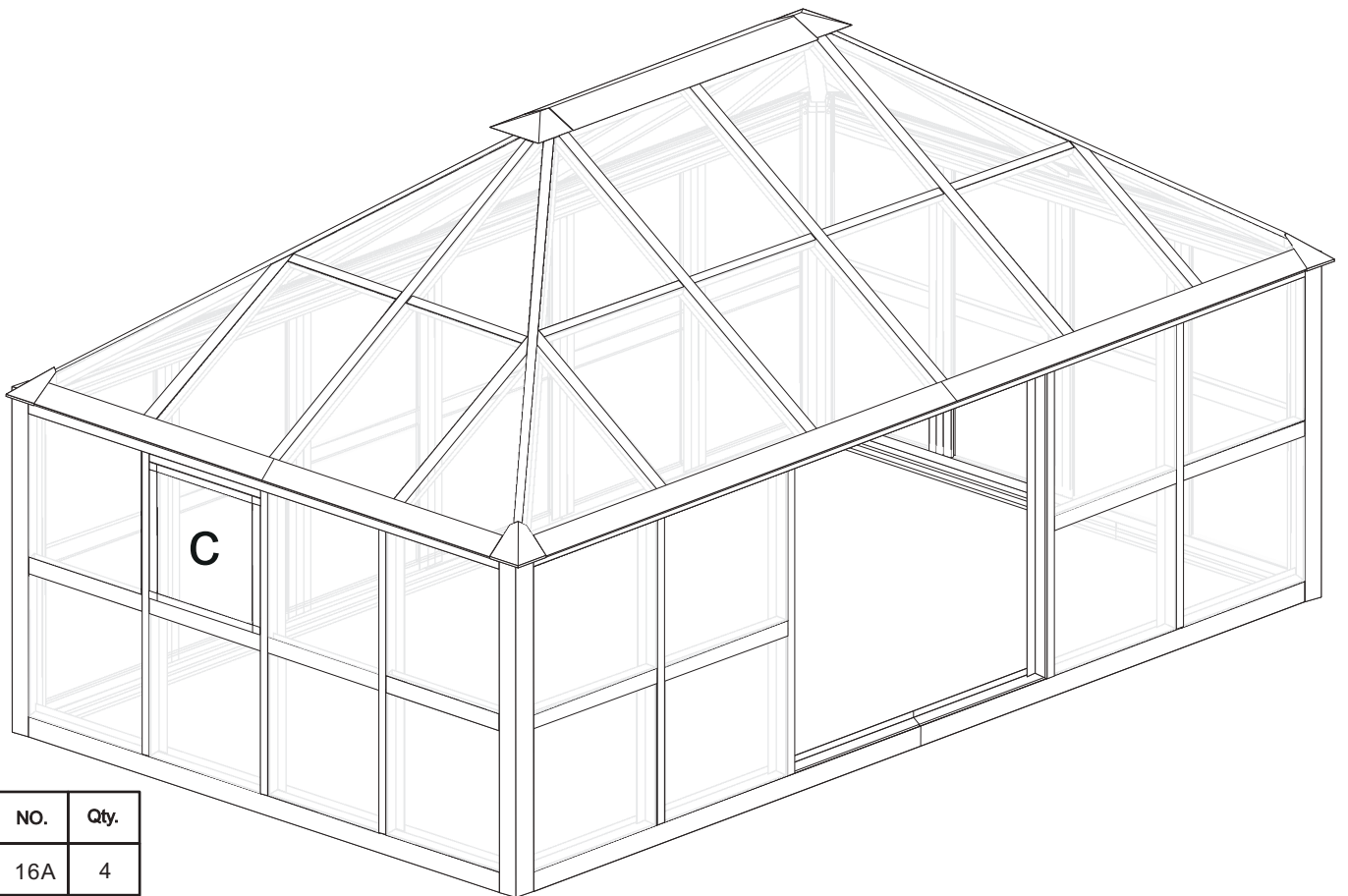
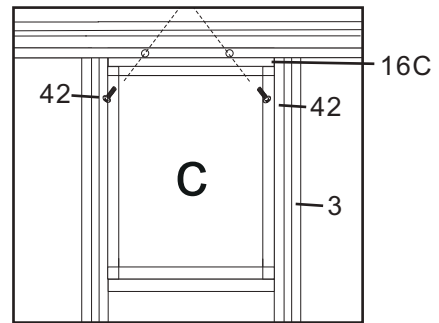
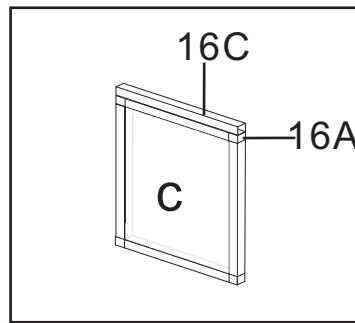
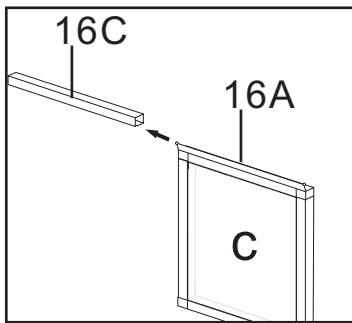
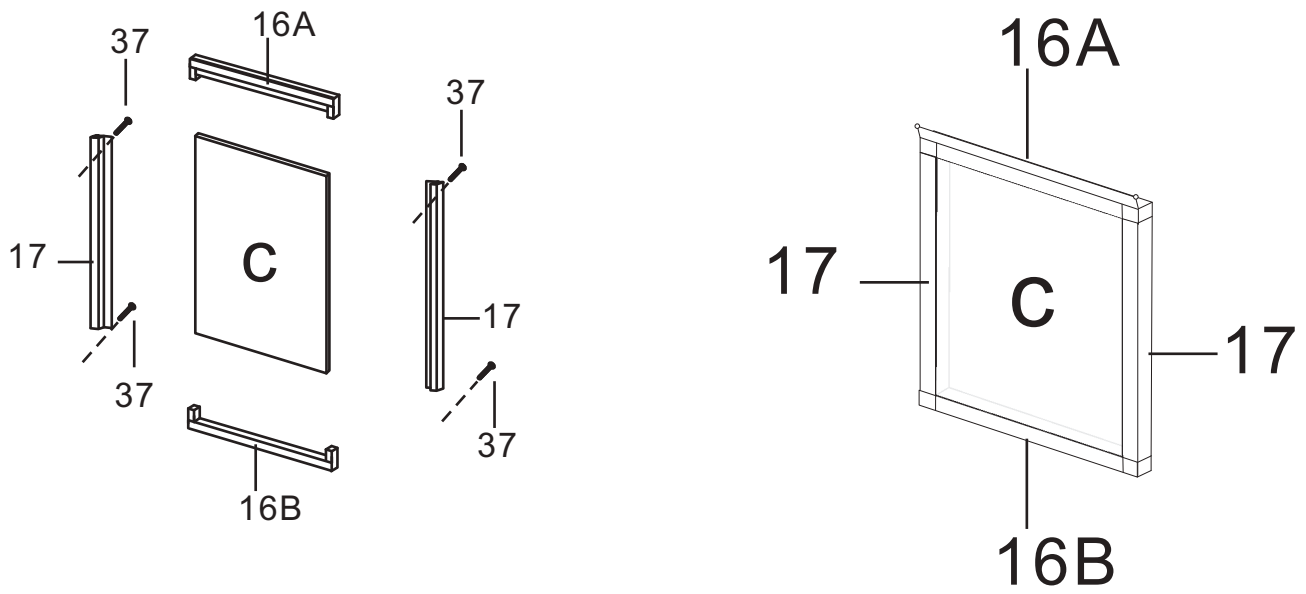
If you find that there is a gap between the aluminum sinks during the installation process, you can use silicone to achieve a better waterproof effect

Picture	NO.	Qty.
	18	4
	19	2
	19A	2
	20	2
	20A	2
	20B	2
	21A	4
	21B	4

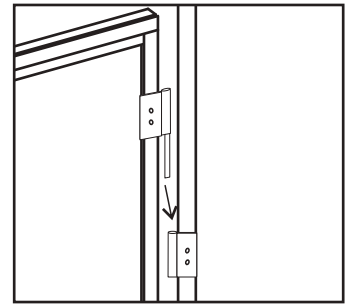
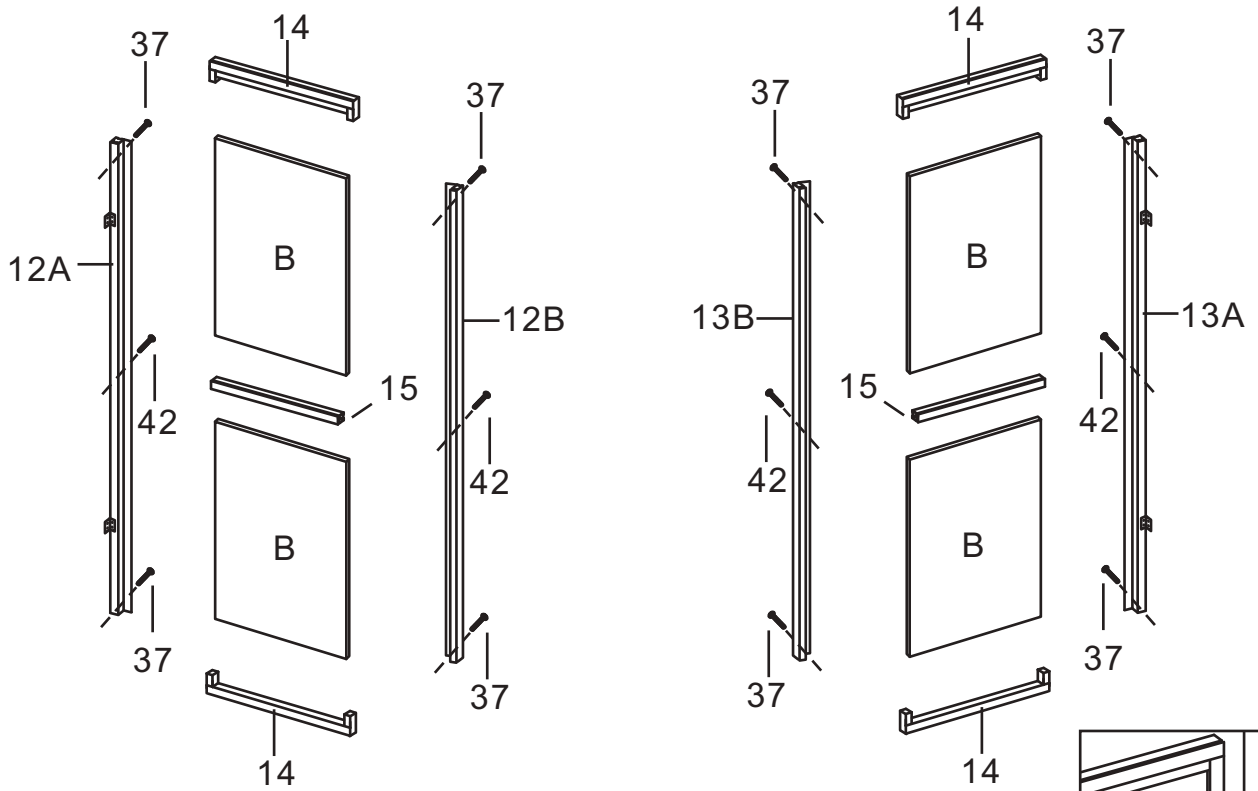




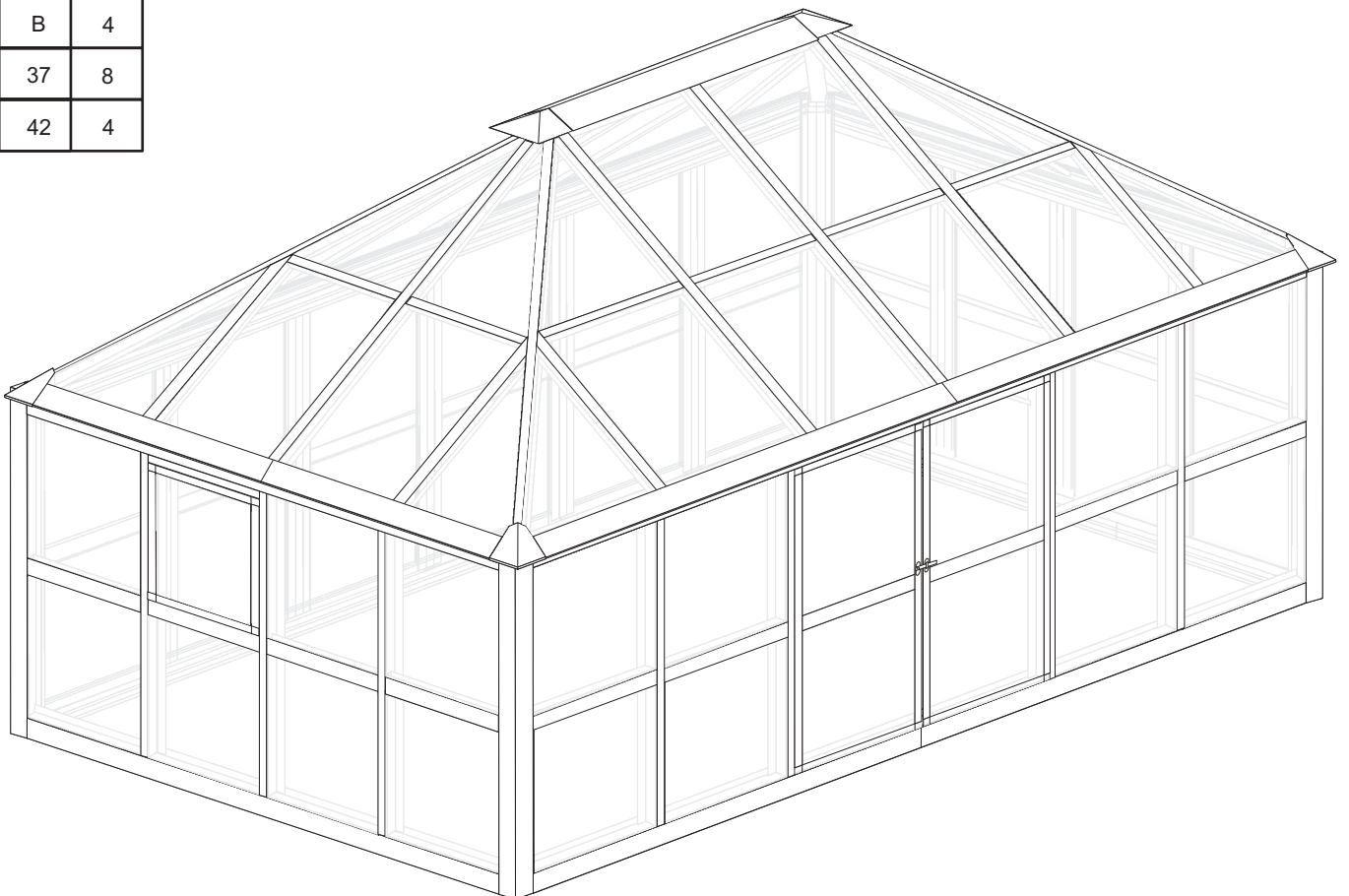
Picture	NO.	Qty.
	42	6



Picture	NO.	Qty.			
	16A	4			
	16B	4			
	16C	4			
	17	8			
	C	4			
	37	16		42	8



Picture	NO.	Qty.
	12A	1
	12B	1
	13A	1
	13B	1
	14	4
	15	2
	B	4
	37	8
	42	4



Contact information

Austria



Belgium



Croatia



Denmark



Estonia



Finland



France



Germany



Ireland



Italy



Latvia



Lithuania



Nederland



Norway



Poland



Portugal



Spain



Sweden



Switzerland



UK

