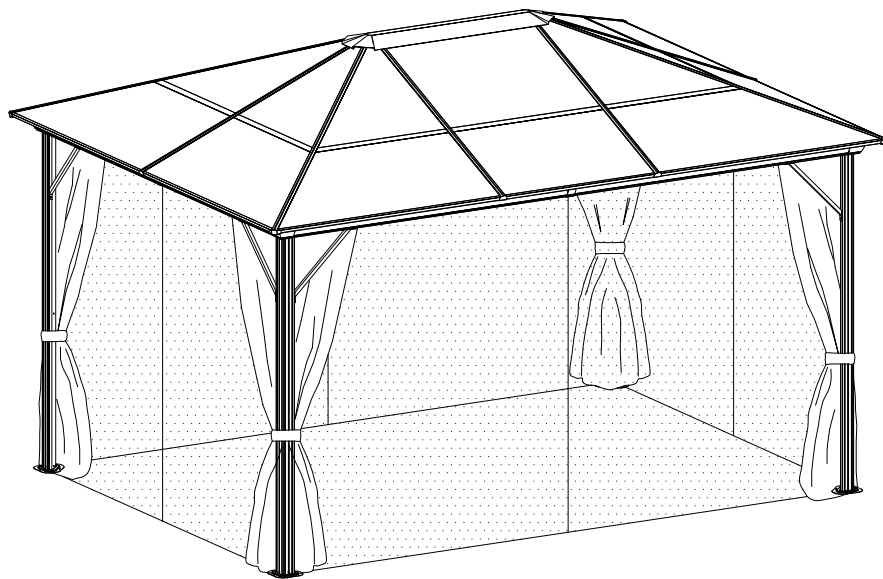
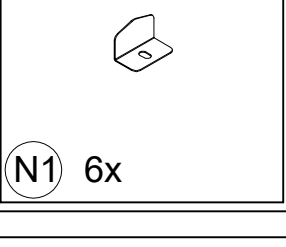
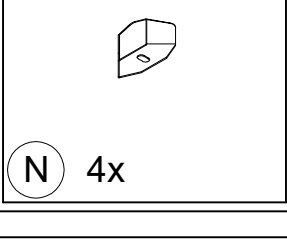
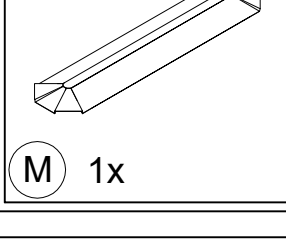
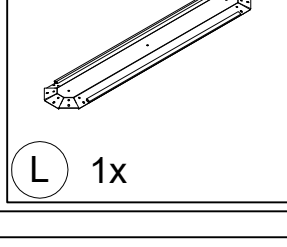
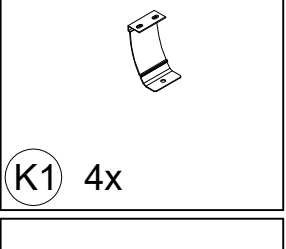
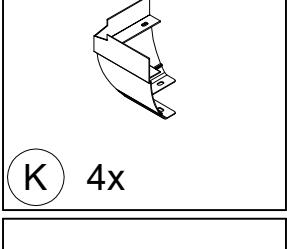
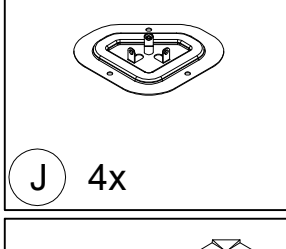
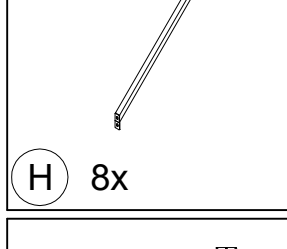
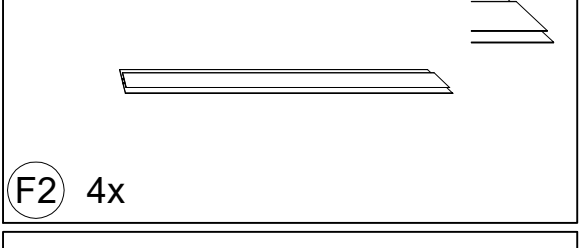
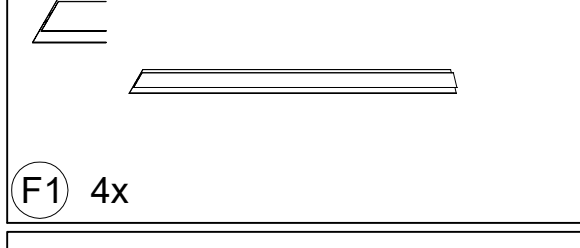
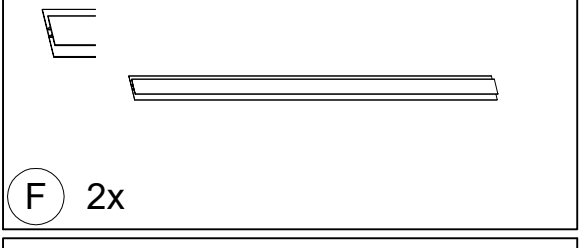
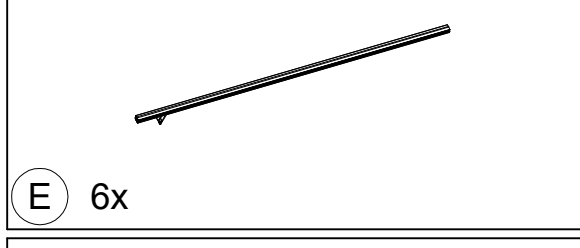
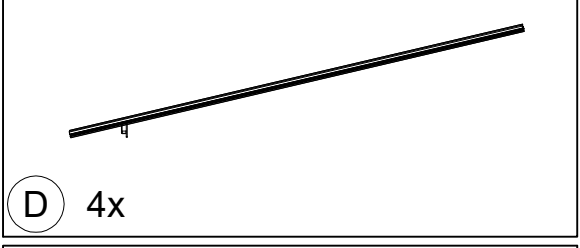
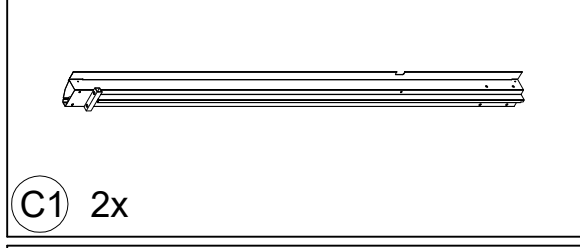
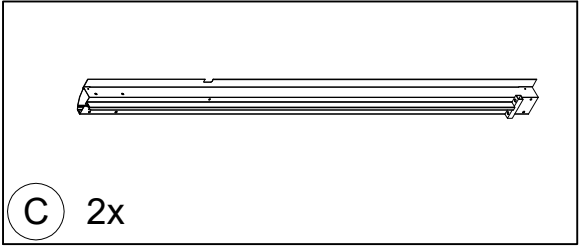
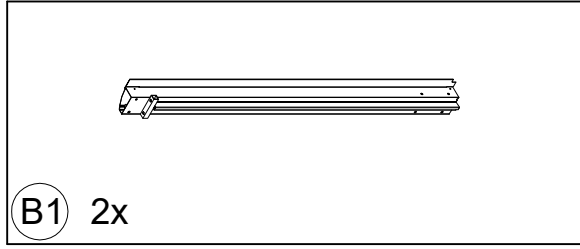
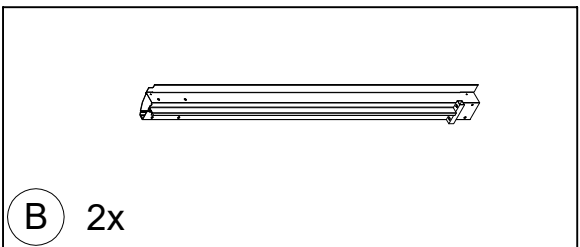


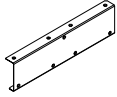
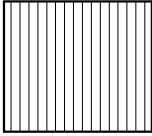
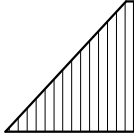
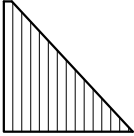
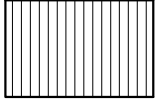
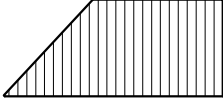
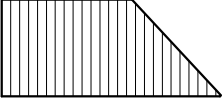
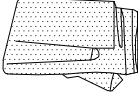
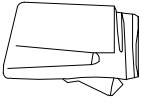








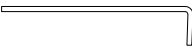
# CosyLifeStyle<sup>®</sup>

Manual  
for  
Gazebo Santa Barbara  
3x4m

**3 x 4 M**



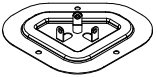


			
(P) 4x	(Q) 2x	(Q1) 4x	(Q2) 4x
			
(R) 2x	(R1) 4x	(R2) 4x	(S) 4x
			
(T) 4x	(U) 112x	(V) 4x	S4 1x
			
M6x15 (1) 107x	M6x35 (2) 16x	M5x12 (3) 16x	ST4.8x12 (4) 24x
			
(5) 2x	(8) 12x		

<1>



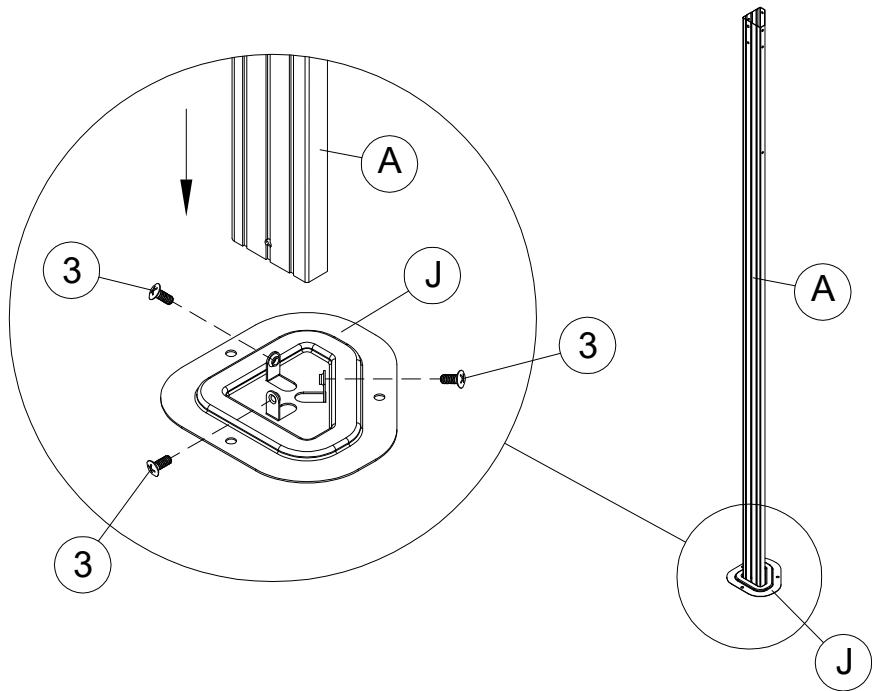
A 4x



J 4x

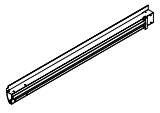


3 12x M5x12

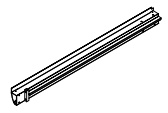


4

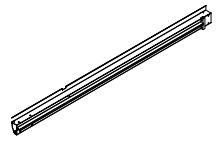
<2>



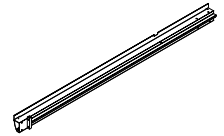
B 2x



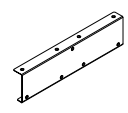
B1 2x



C 2x



C1 2x

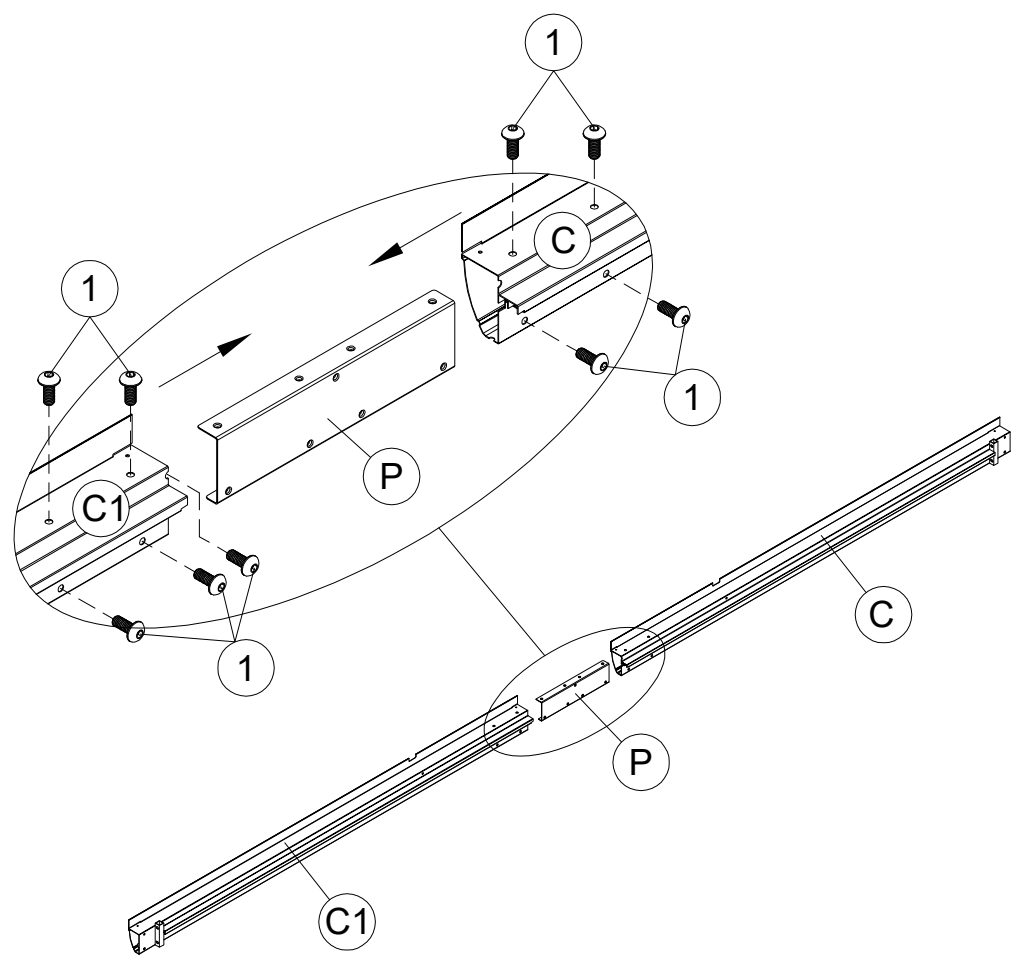
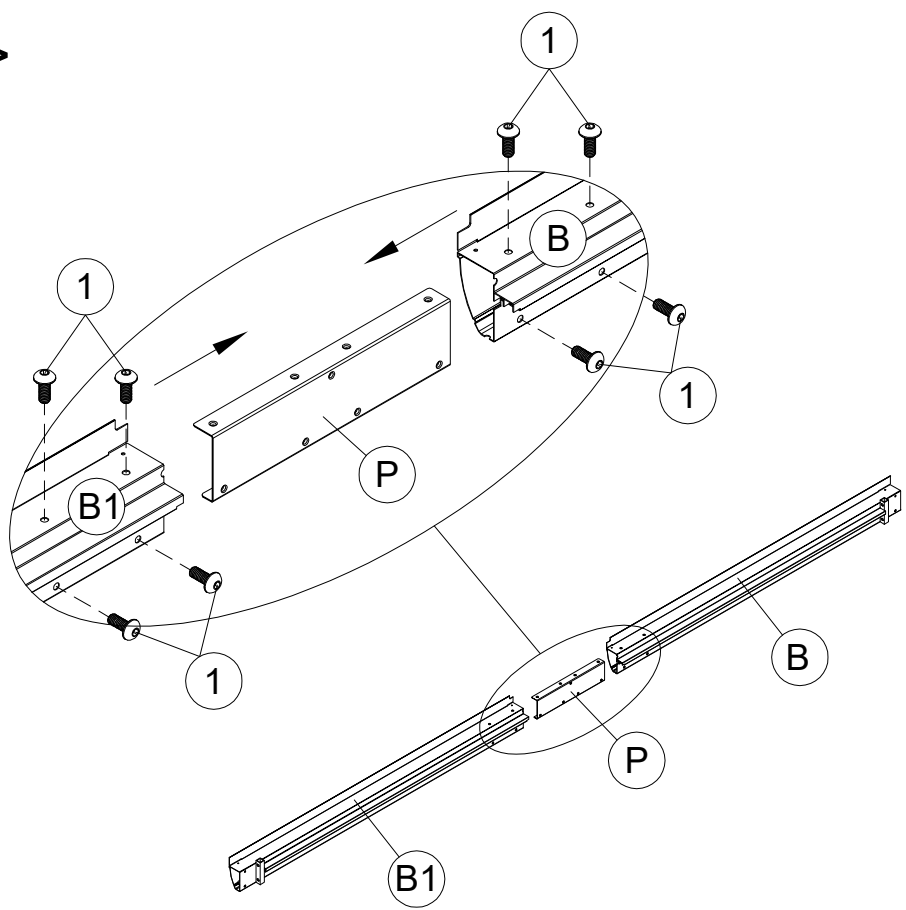


P 4x



1 34x M6x15

5





1 16x

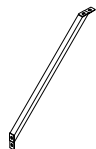
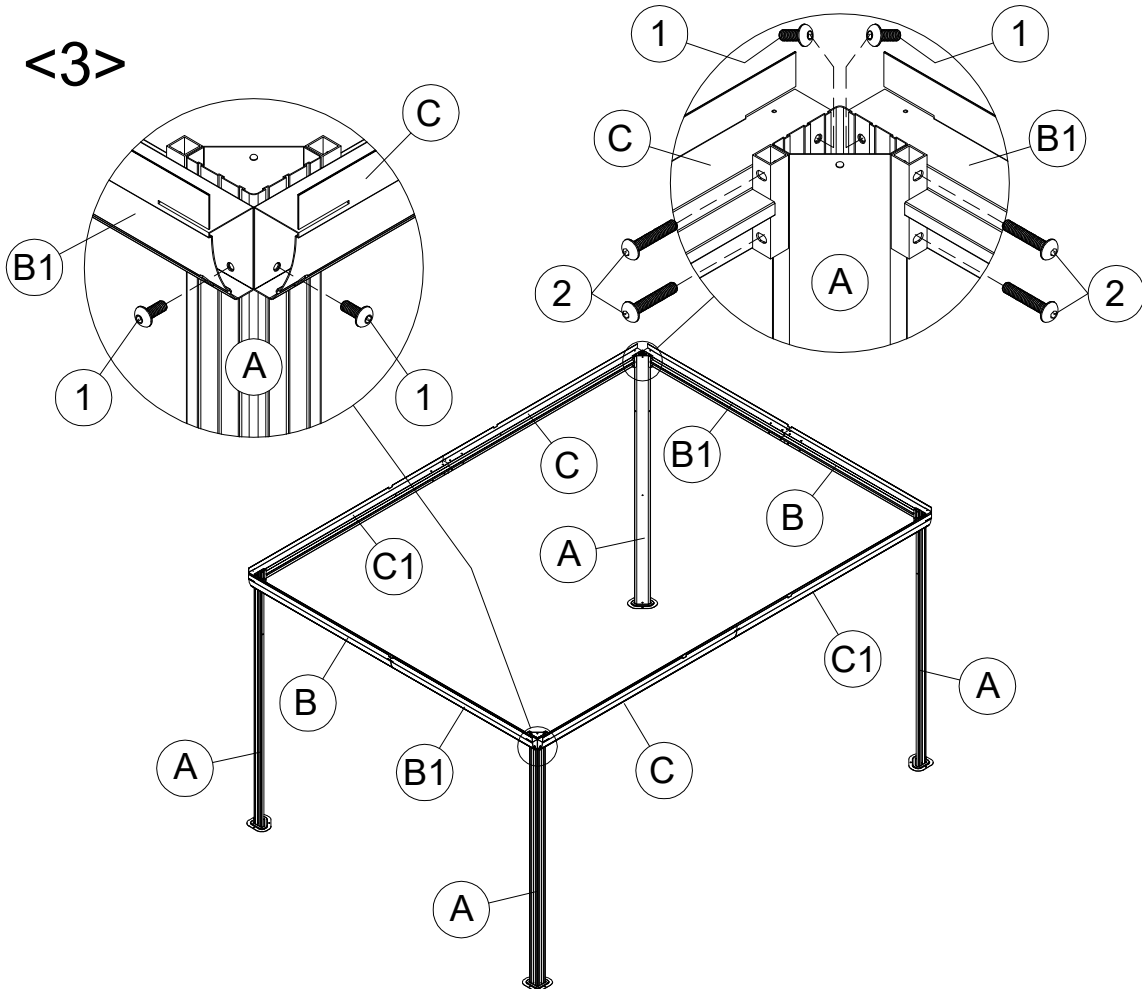
M6x15



2 16x

M6x35

<3>



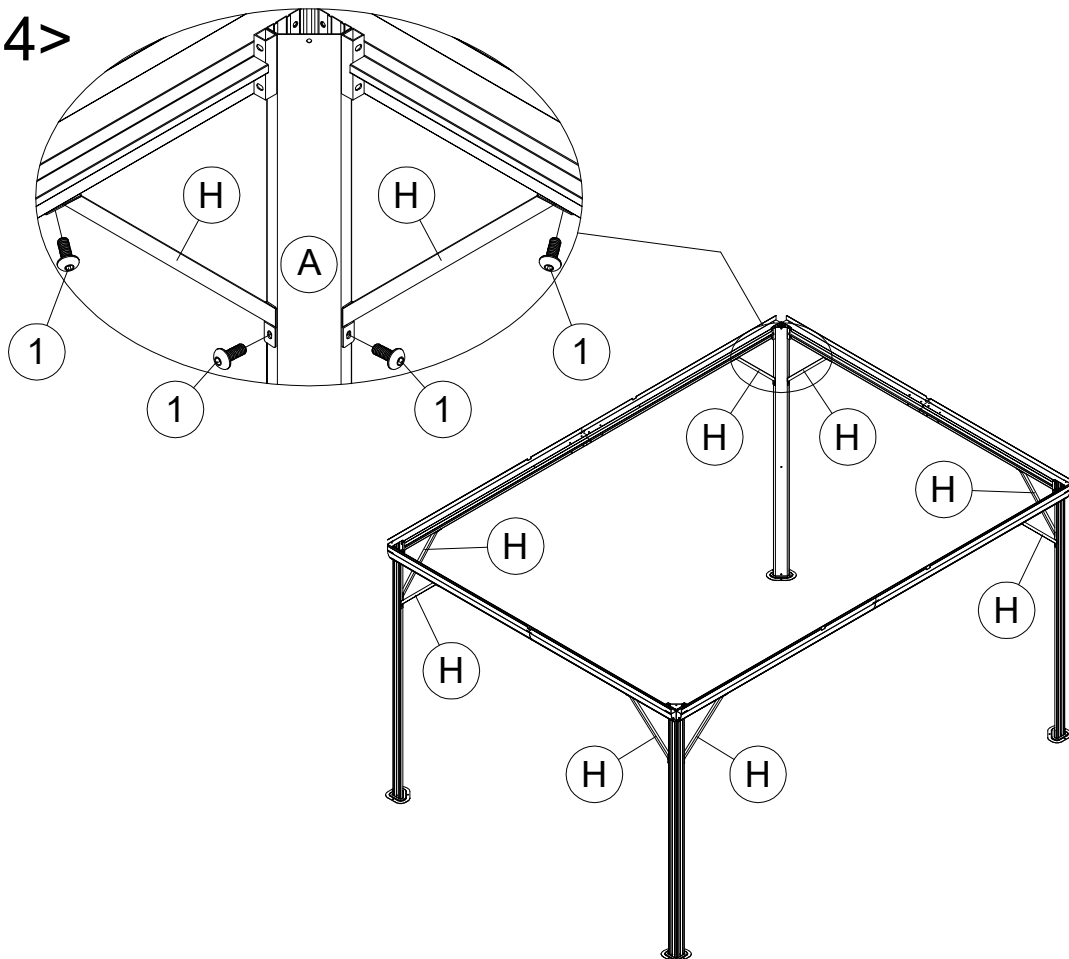
H 8x



1 16x

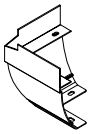
M6x15

<4>



6

<5>



(K) 4x



(K1) 4x



(U) 112x



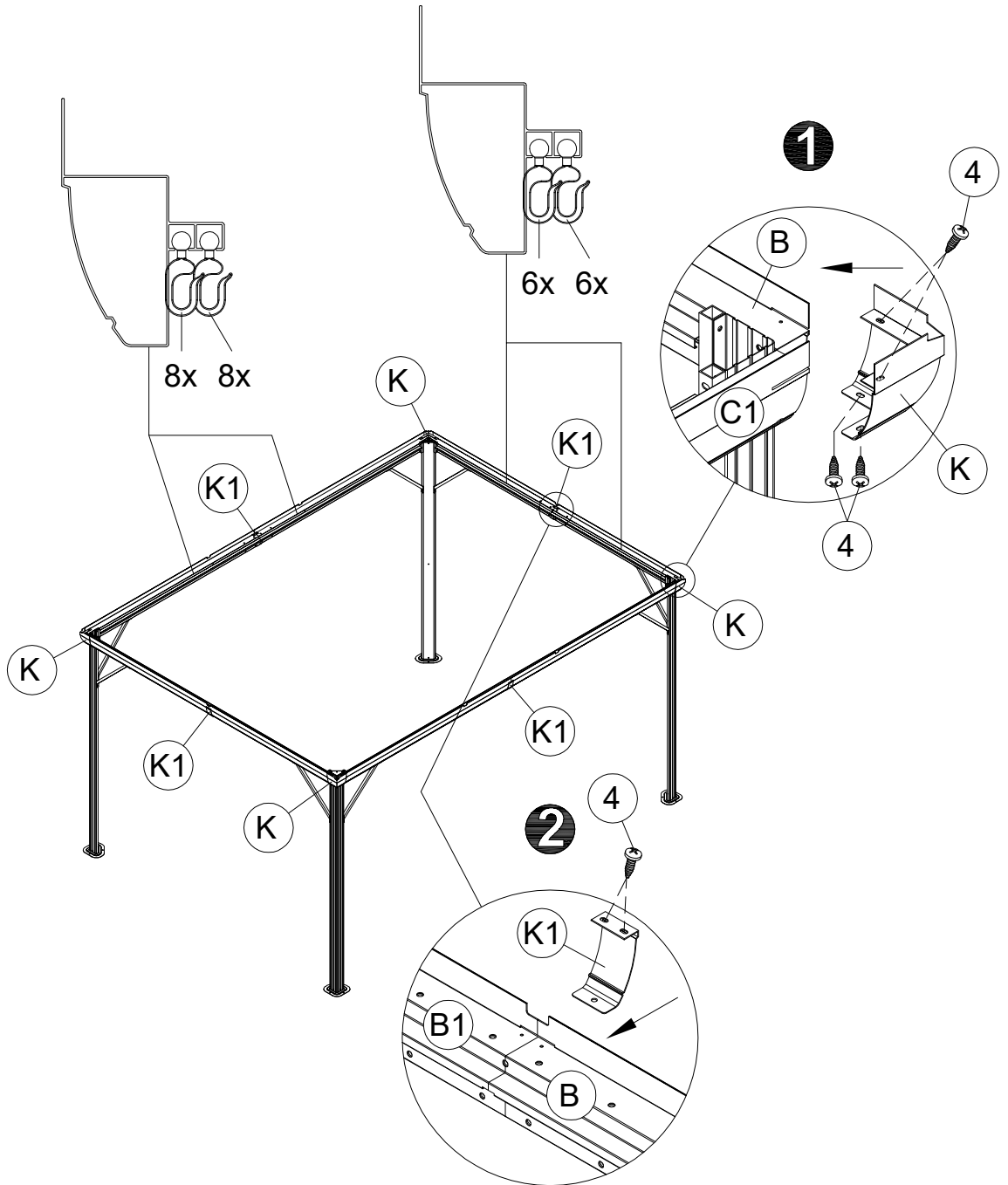
(V) 4x



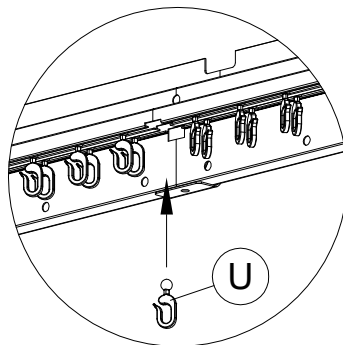
(3) 4x M5x12



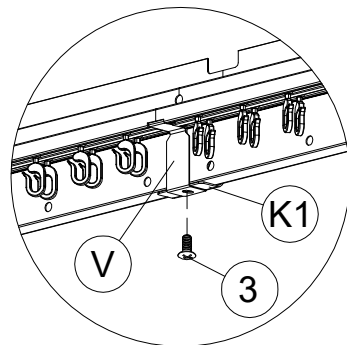
(4) 24x ST4.8x12



3

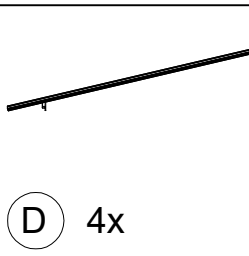


4



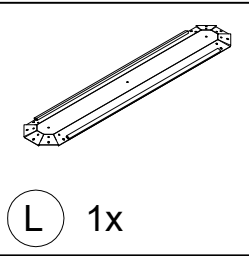
7



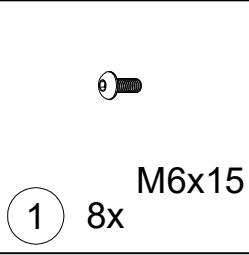


<6>

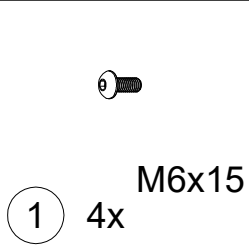
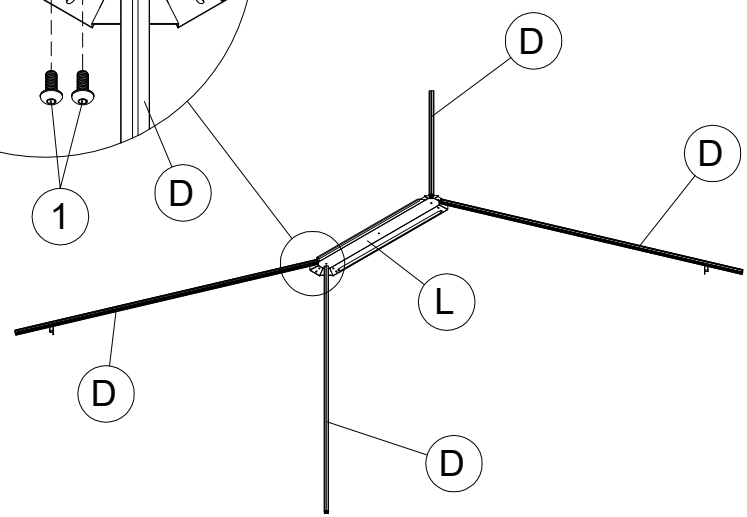
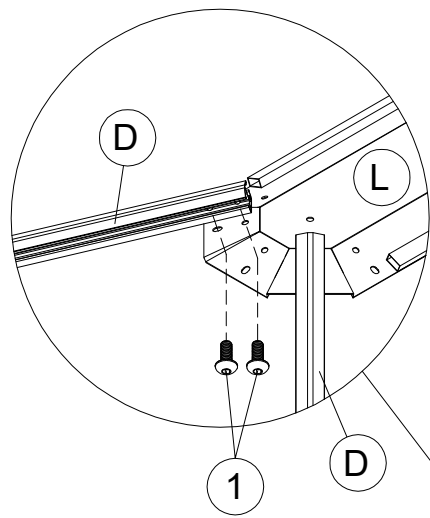
D 4x



L 1x

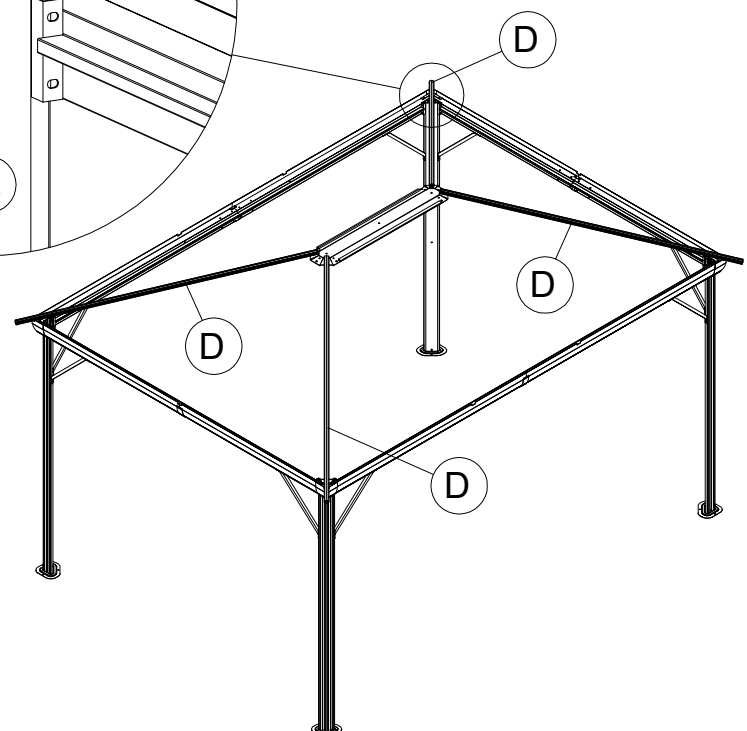
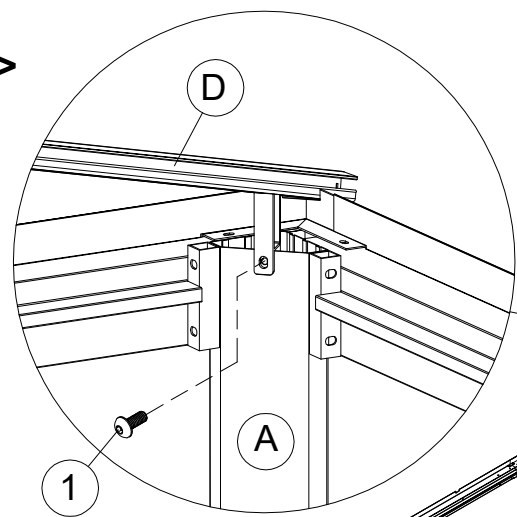


1 8x M6x15



1 4x M6x15

<7>



8

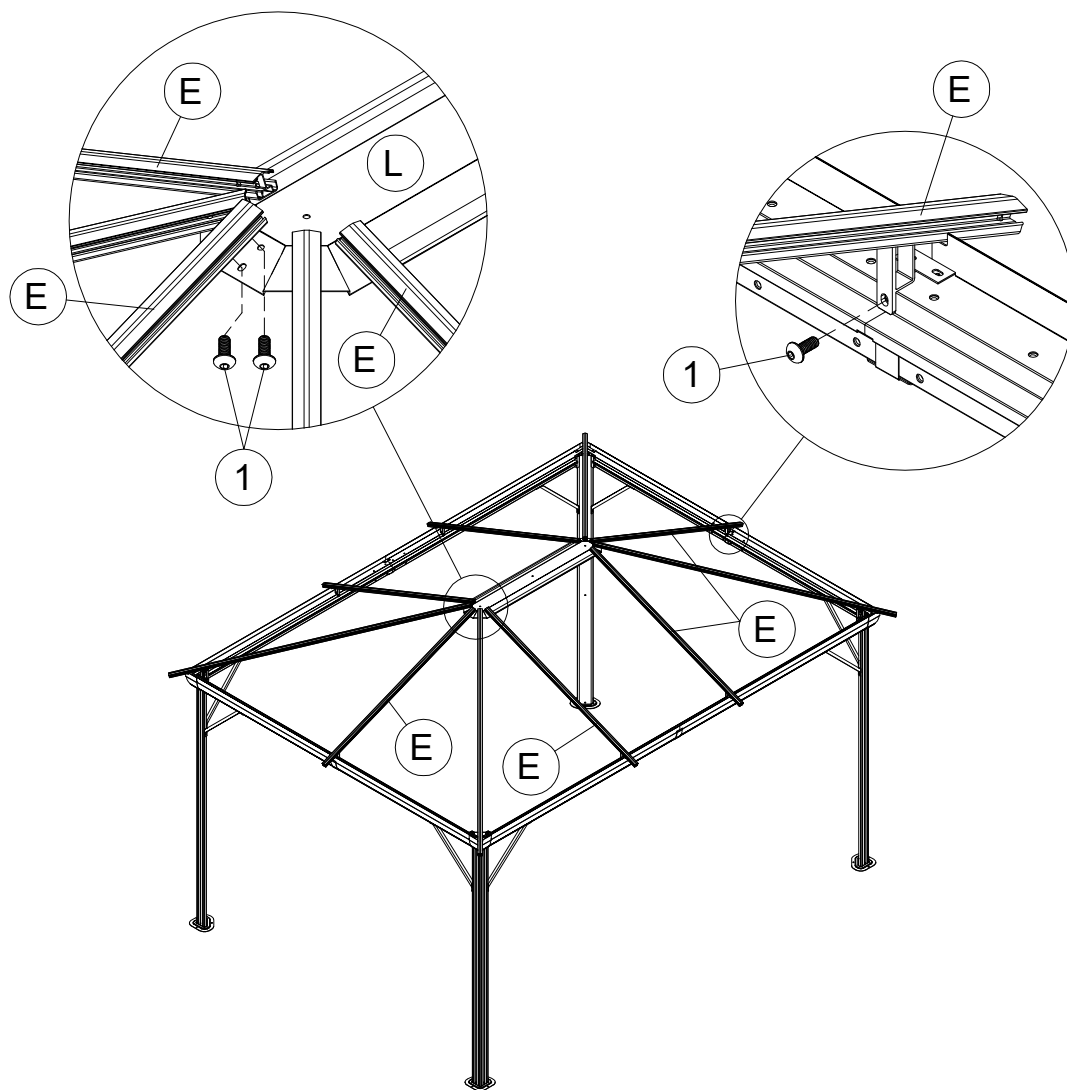


<8>

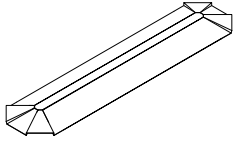
E 6x



1 18x M6x15



9



(M) 1x

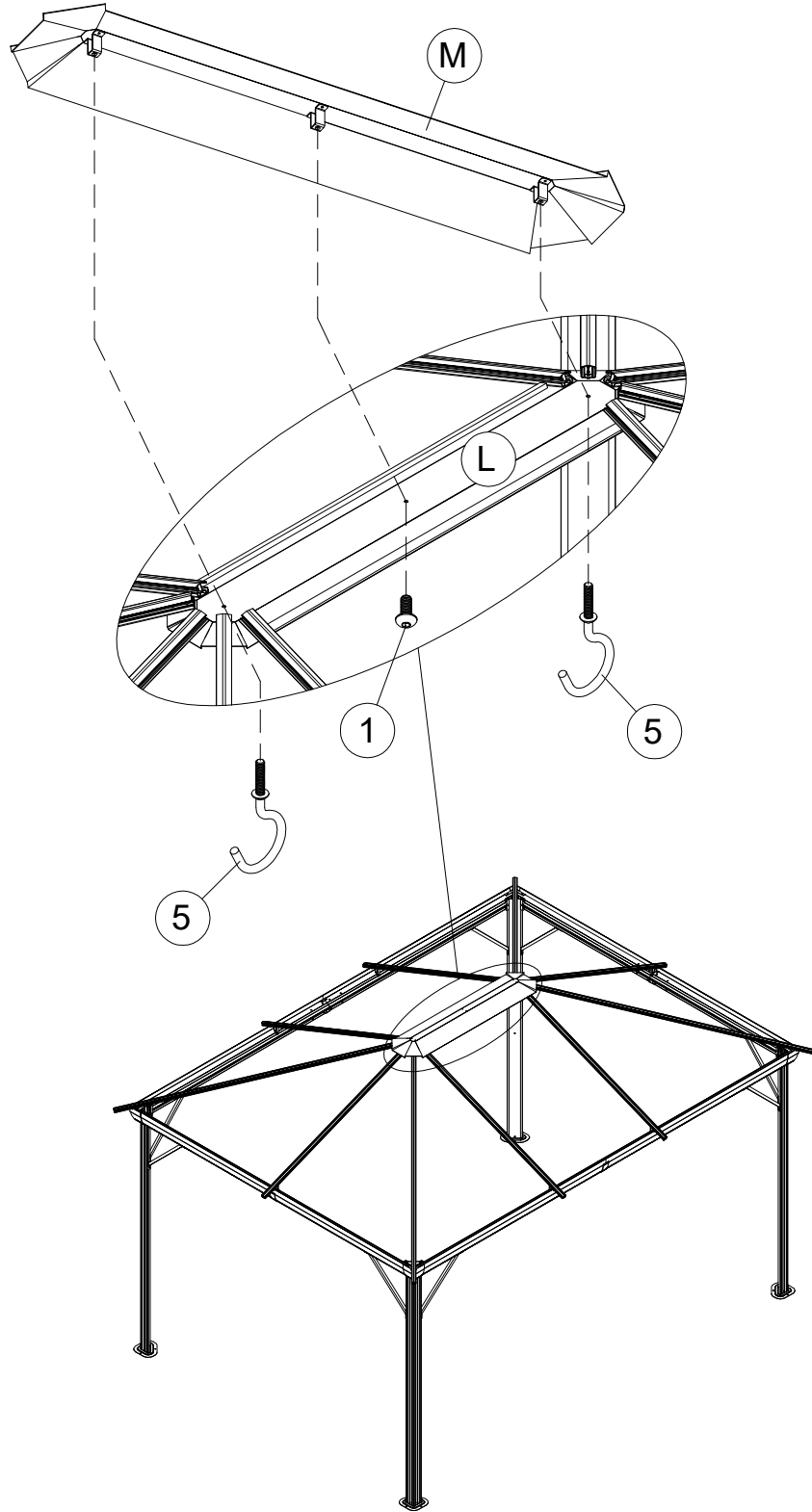


(1) 1x M6x15

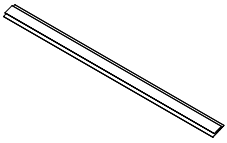


(5) 2x

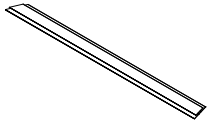
<9>



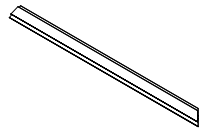
<10>



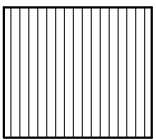
F 2x



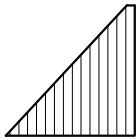
F1 4x



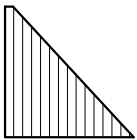
F2 4x



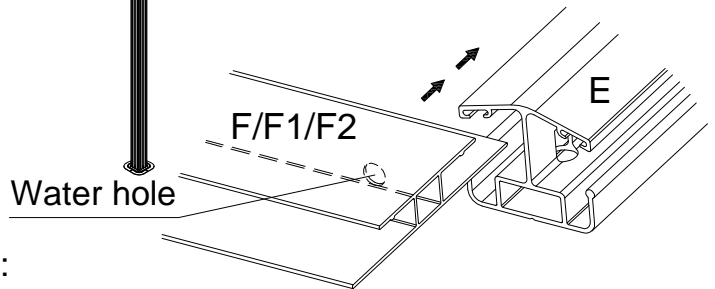
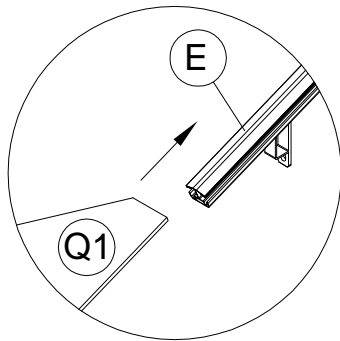
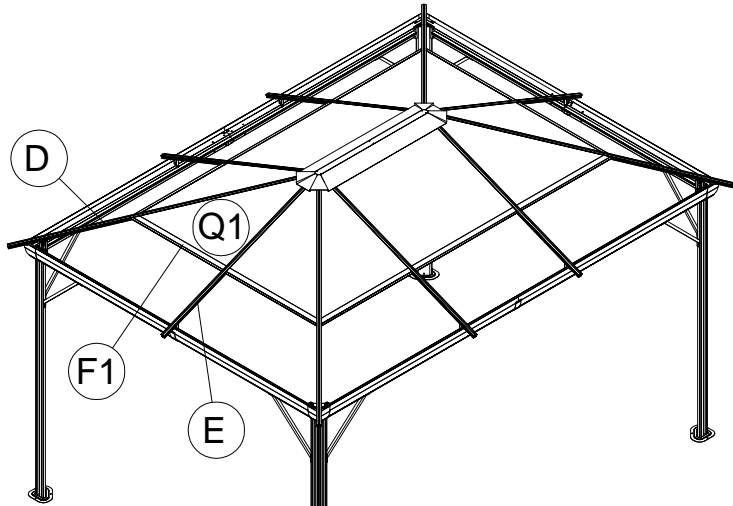
Q 2x



Q1 4x

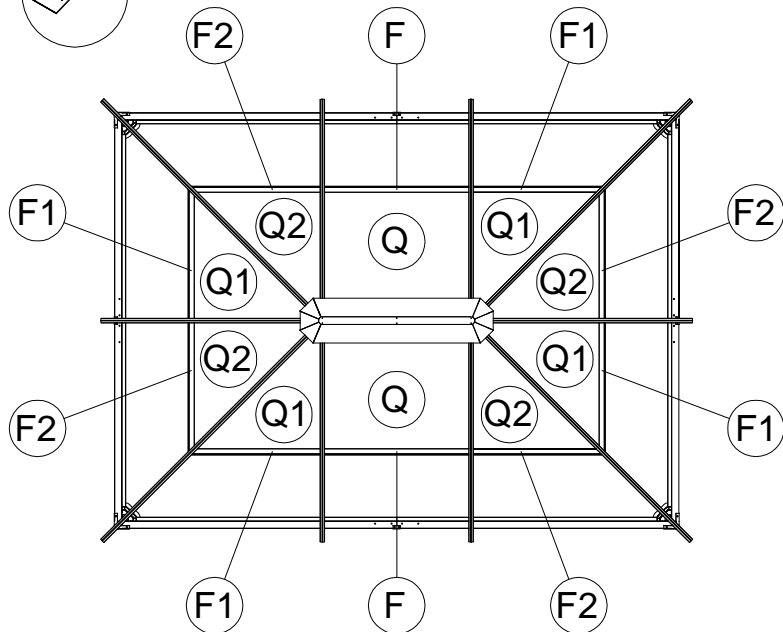
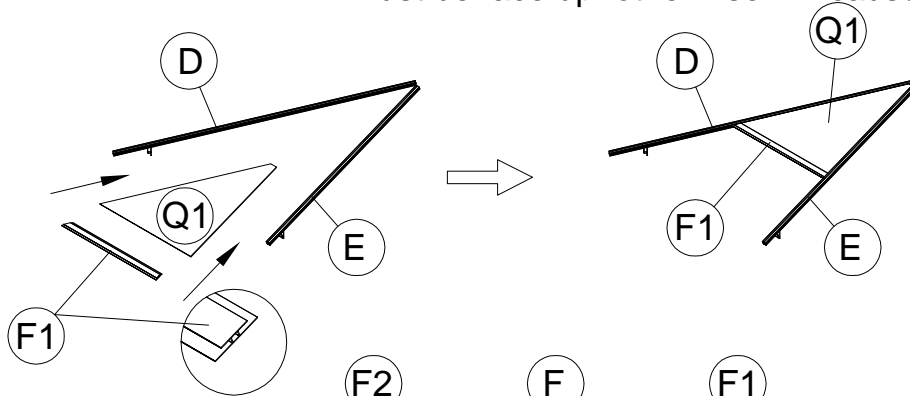


Q2 4x

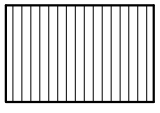


Note:

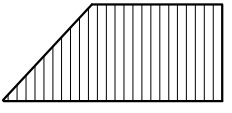
1. When F1 or F2 or F slide into the E, the wide side must be face down and narrow side face up, otherwise will cause water leaking
2. F or F1 or F2 the water holes inside of the tube must be face up. otherwise will cause water leaking



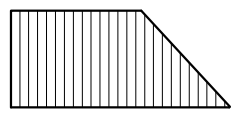
<11>



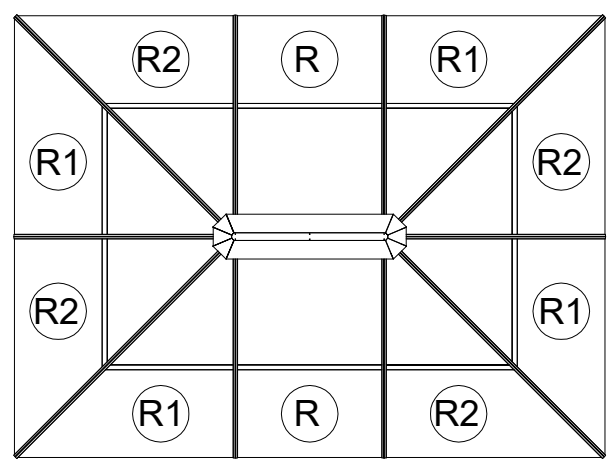
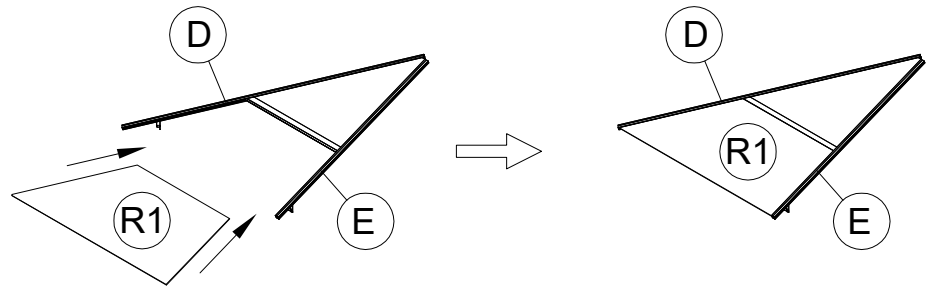
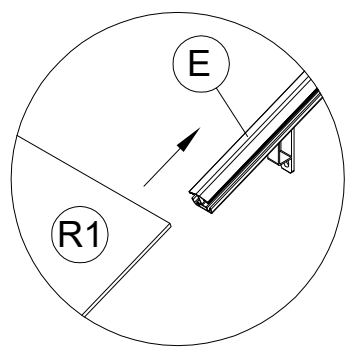
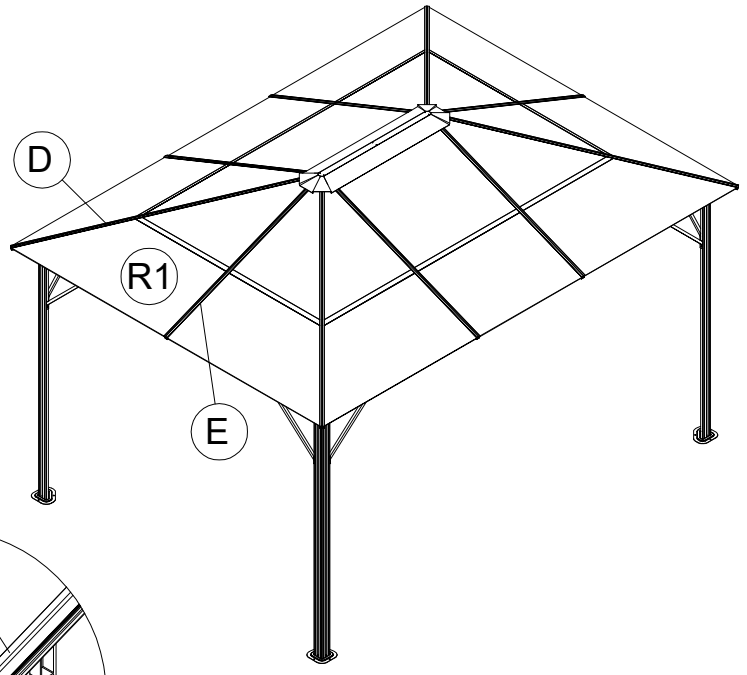
(R) 2x



(R1) 4x



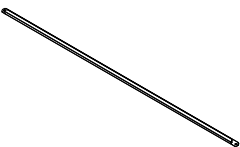
(R2) 4x



<12>



G 2x



G1 8x



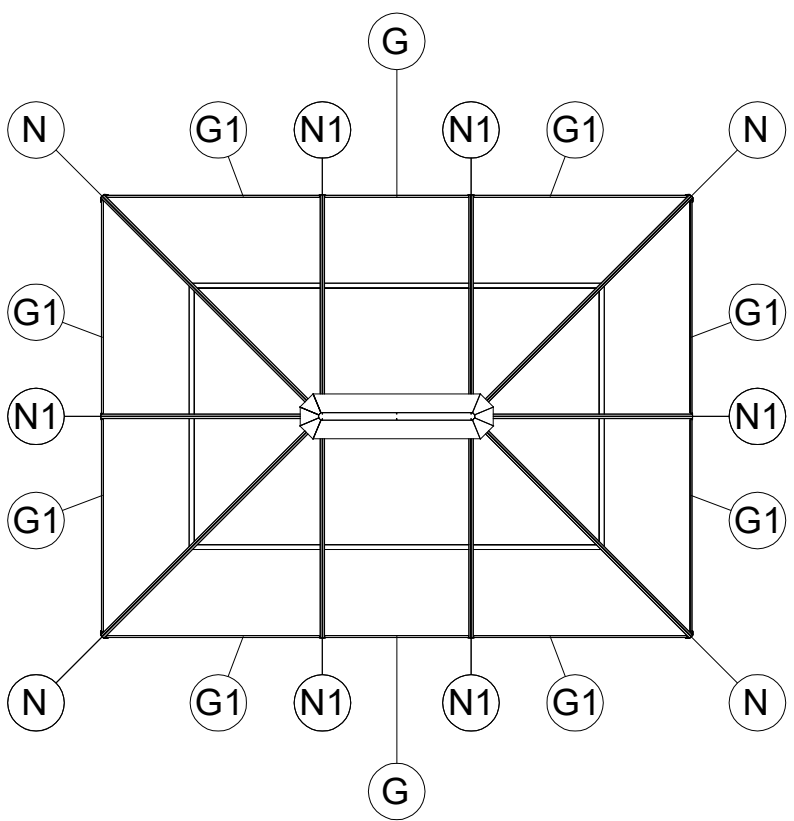
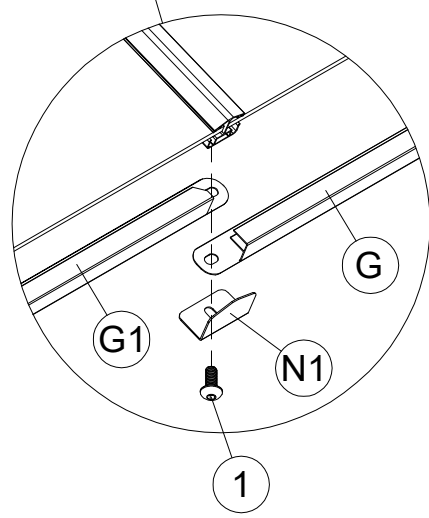
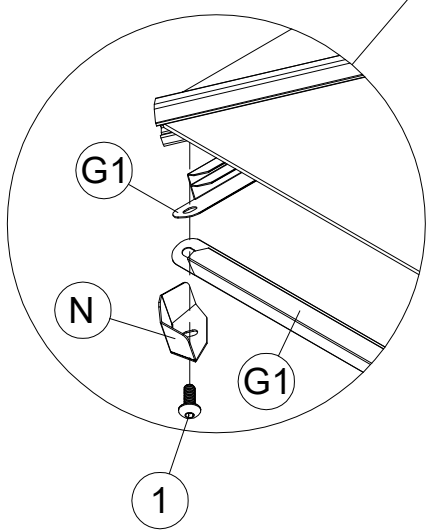
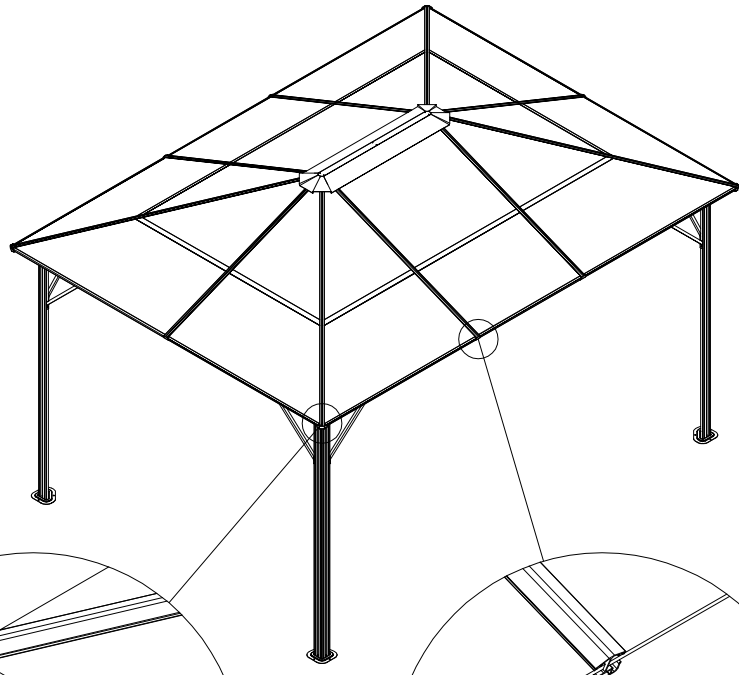
N 4x

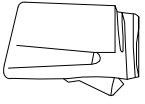


N1 6x



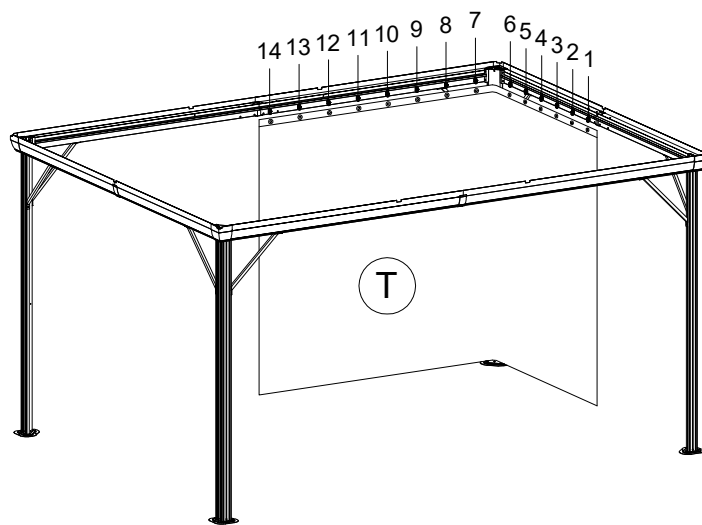
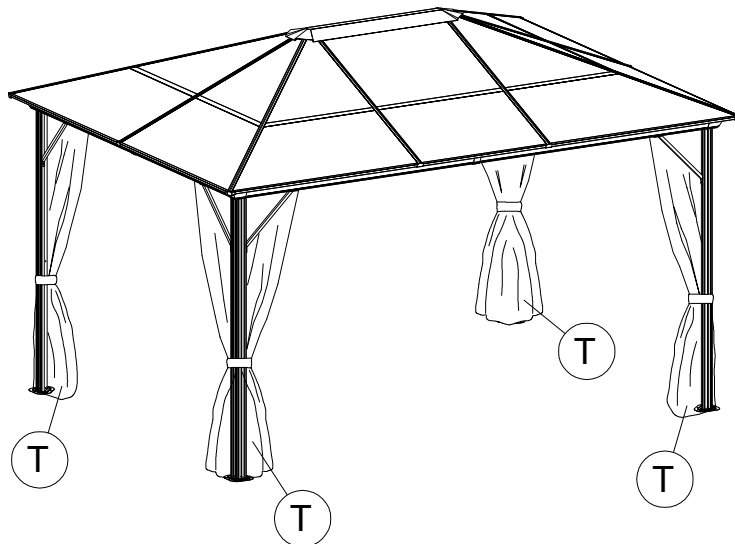
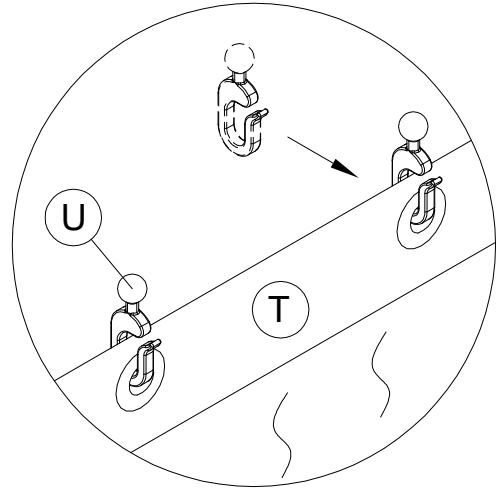
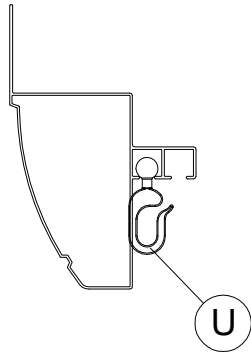
1 10x M6x15

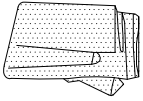




<13>

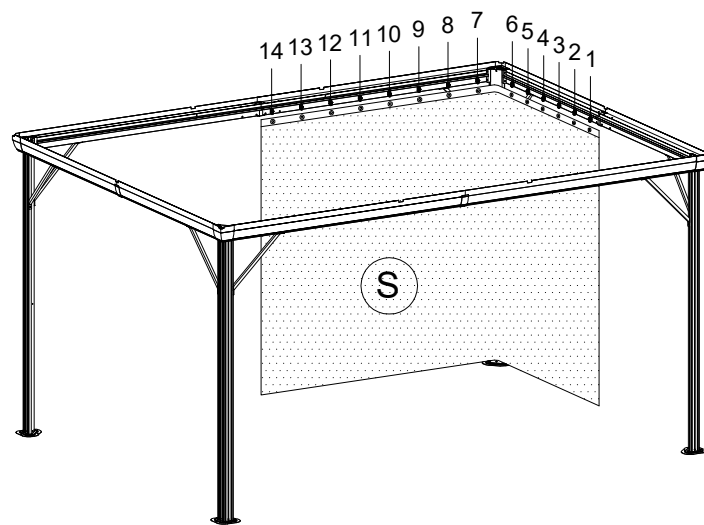
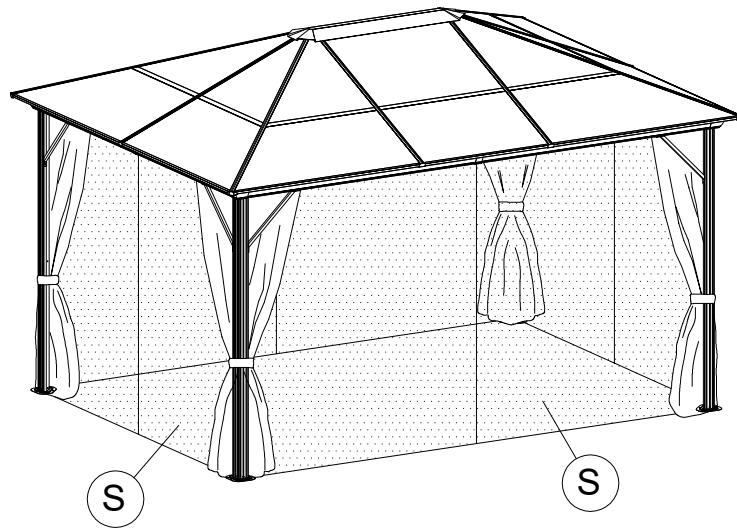
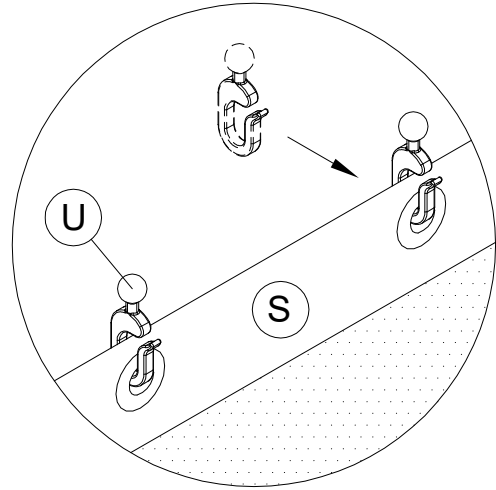
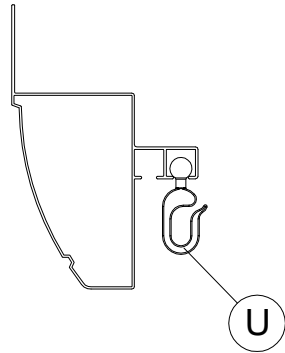
T 4x





<14>

S 4x

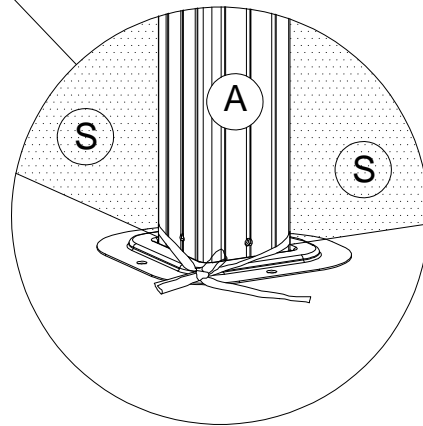
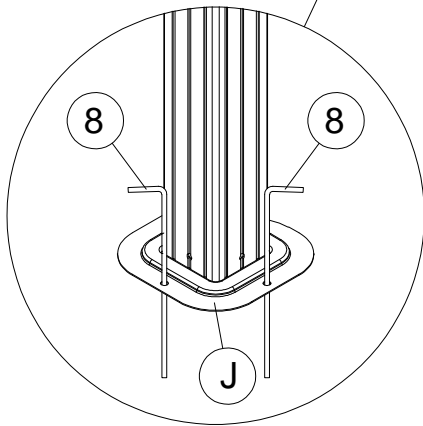
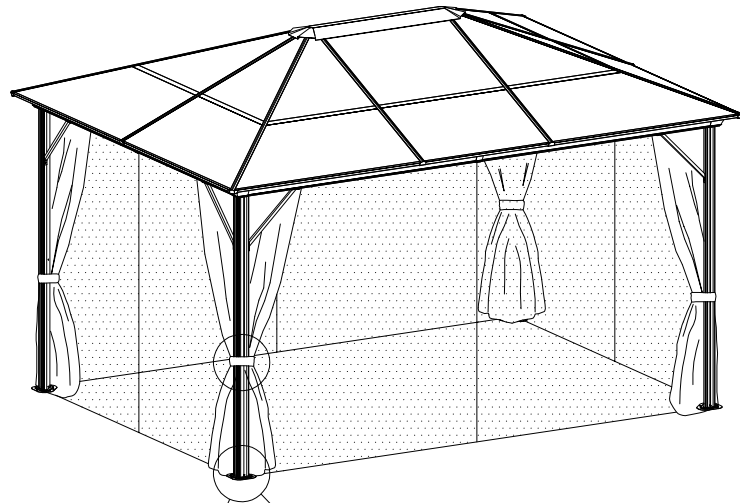






<15>

8 12x



## Contact information

Austria



Belgium



Croatia



Denmark



Estonia



Finland



France



Germany



Ireland



Italy



Latvia



Lithuania



Nederland



Norway



Poland



Portugal



Spain



Sweden



Switzerland



UK

