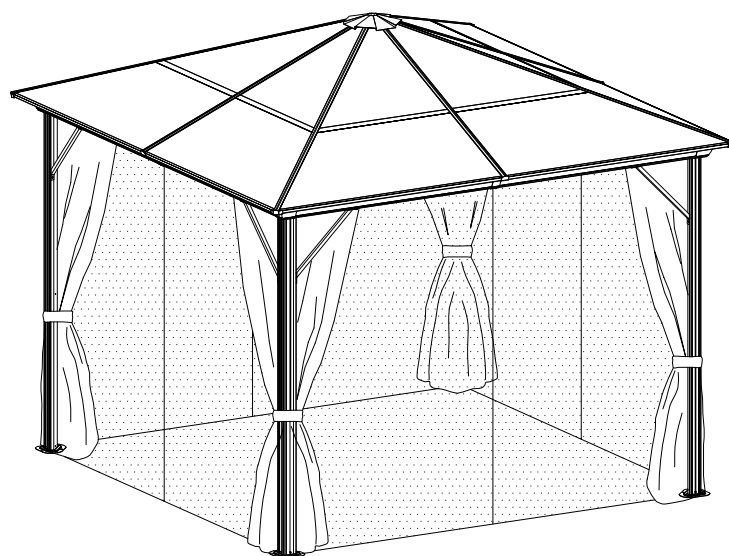


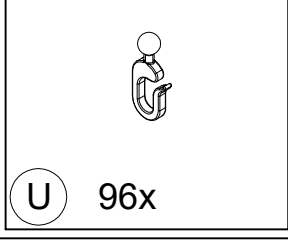
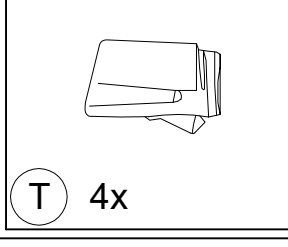
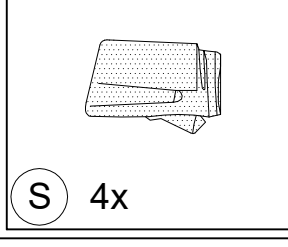
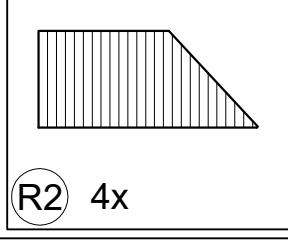
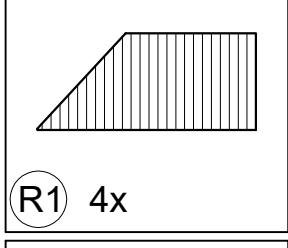
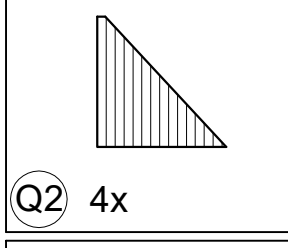
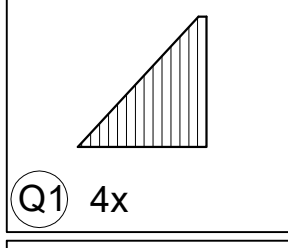
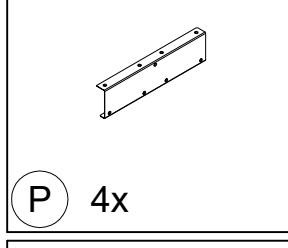
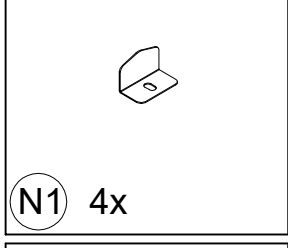
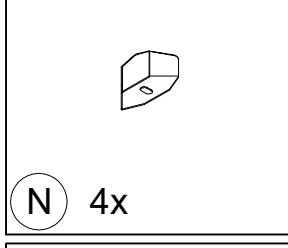
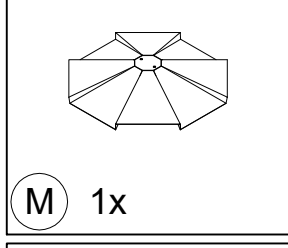
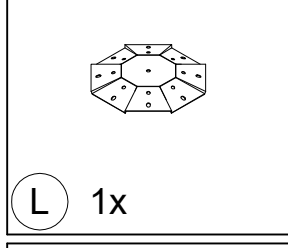
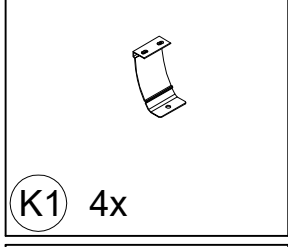
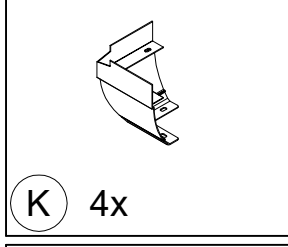
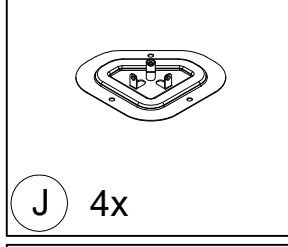
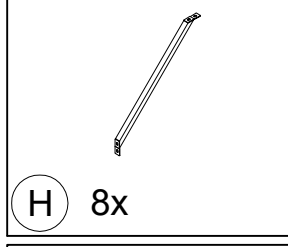
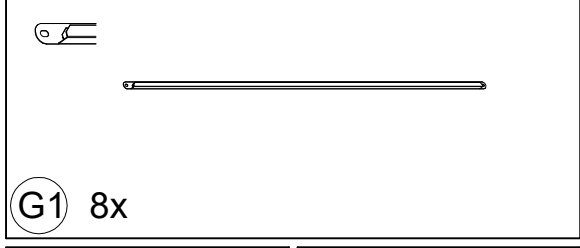
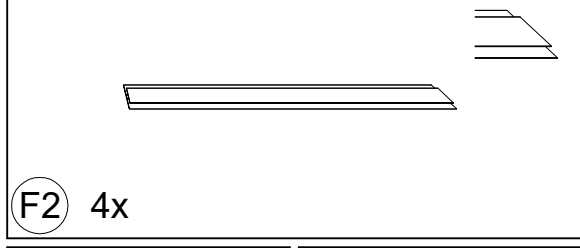
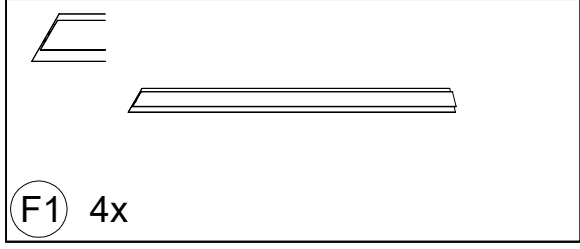
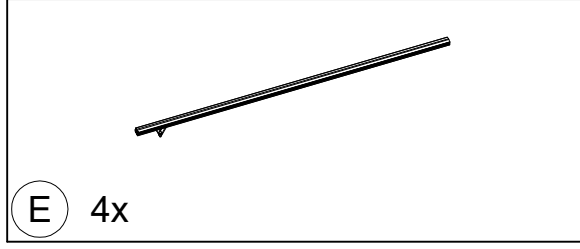
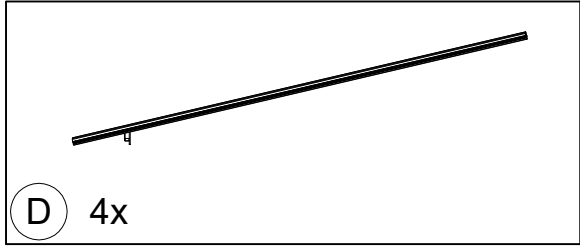
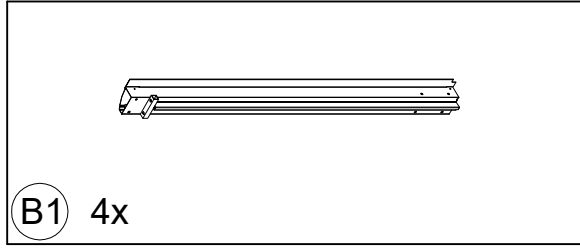
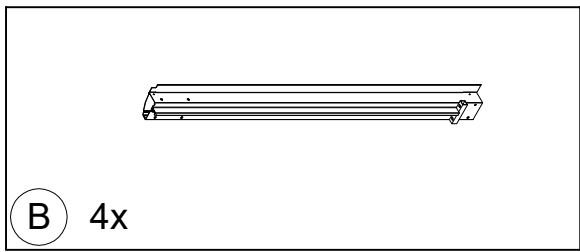
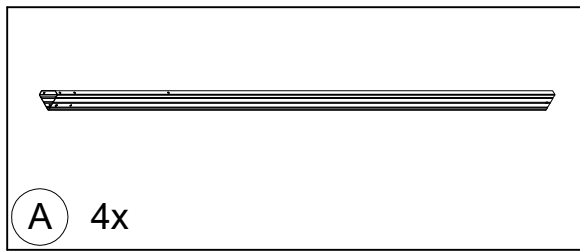
**DANCOVER<sup>®</sup>**



Manual  
for  
Gazebo Santa Barbara 3x3m  
Brown

**3 x 3 M**







V 4x

S4



1x



M6x15

1 96x



M6x35

2 16x



M5x12

3 16x



ST4.8x12

4 24x



5 1x

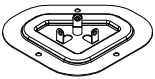


8 12x

<1>



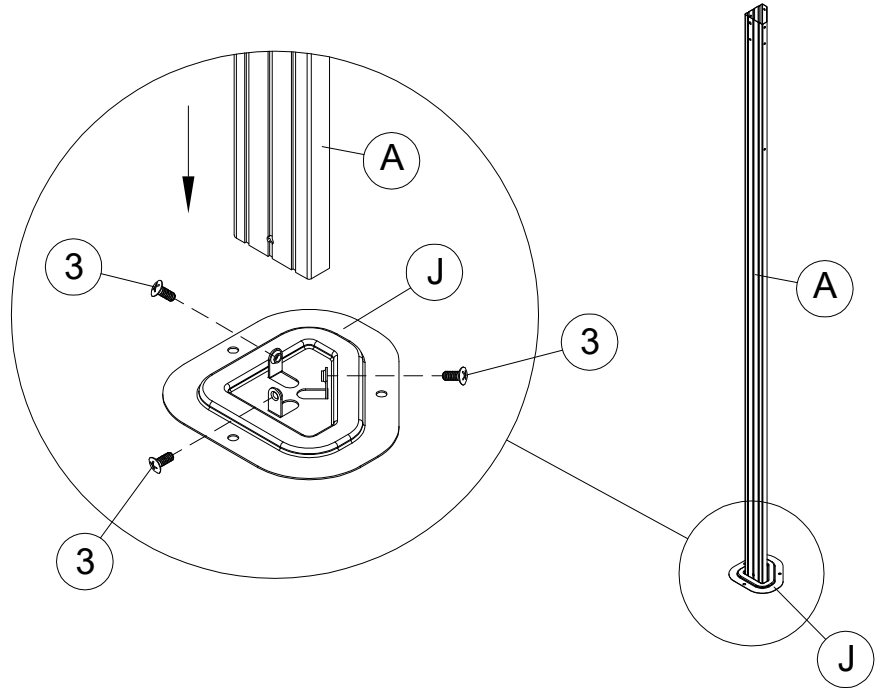
A 4x



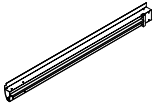
J 4x



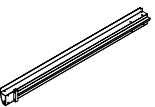
3 12x M5x12



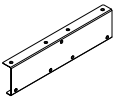
<2>



B 4x



B1 4x

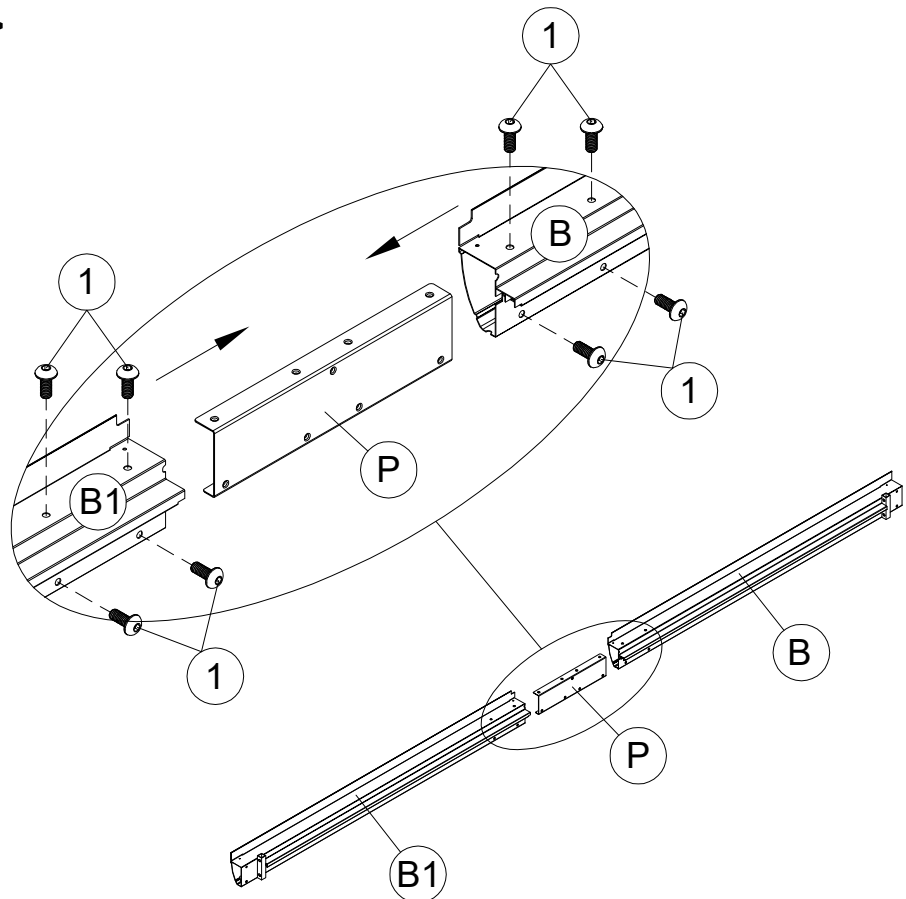


P 4x



1 32x M6x15

4



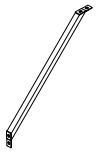
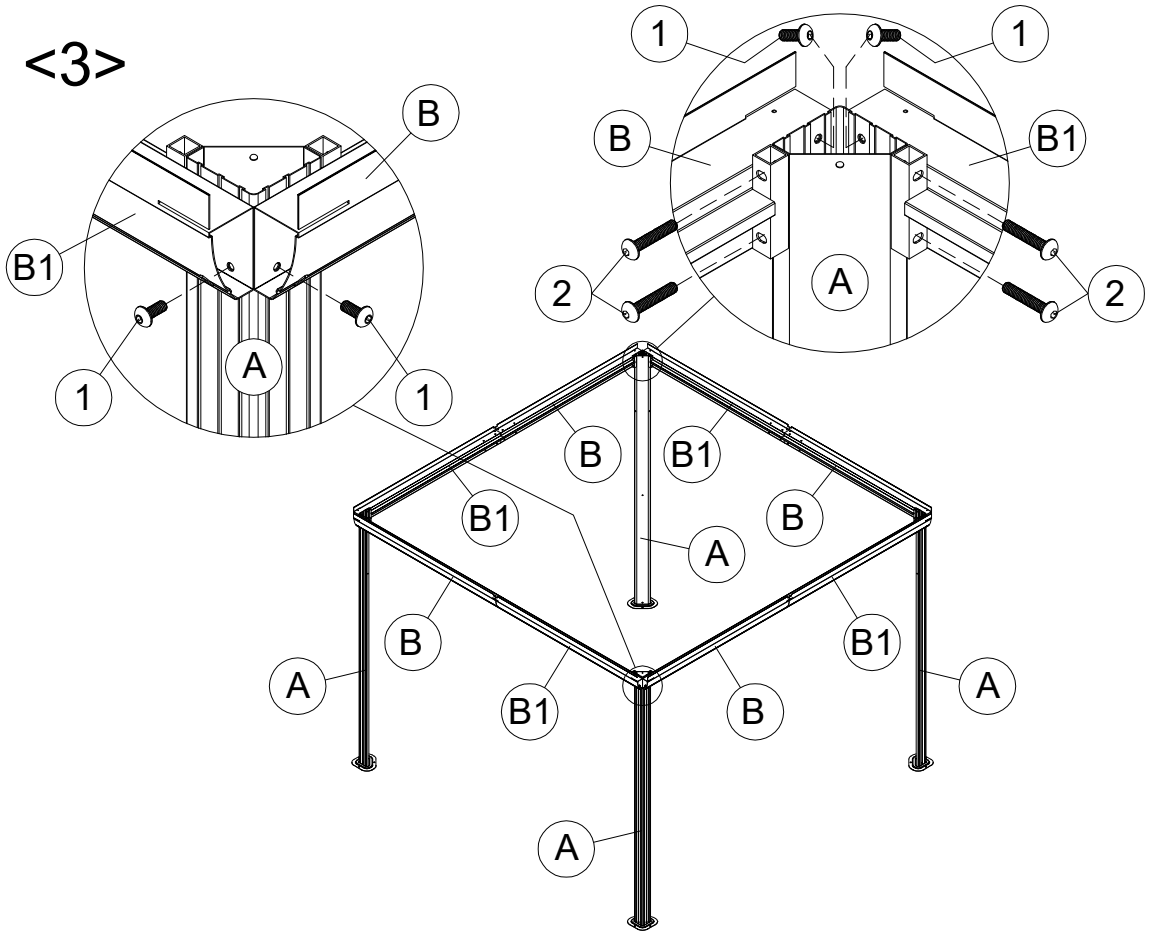


1 16x M6x15



2 16x M6x35

<3>

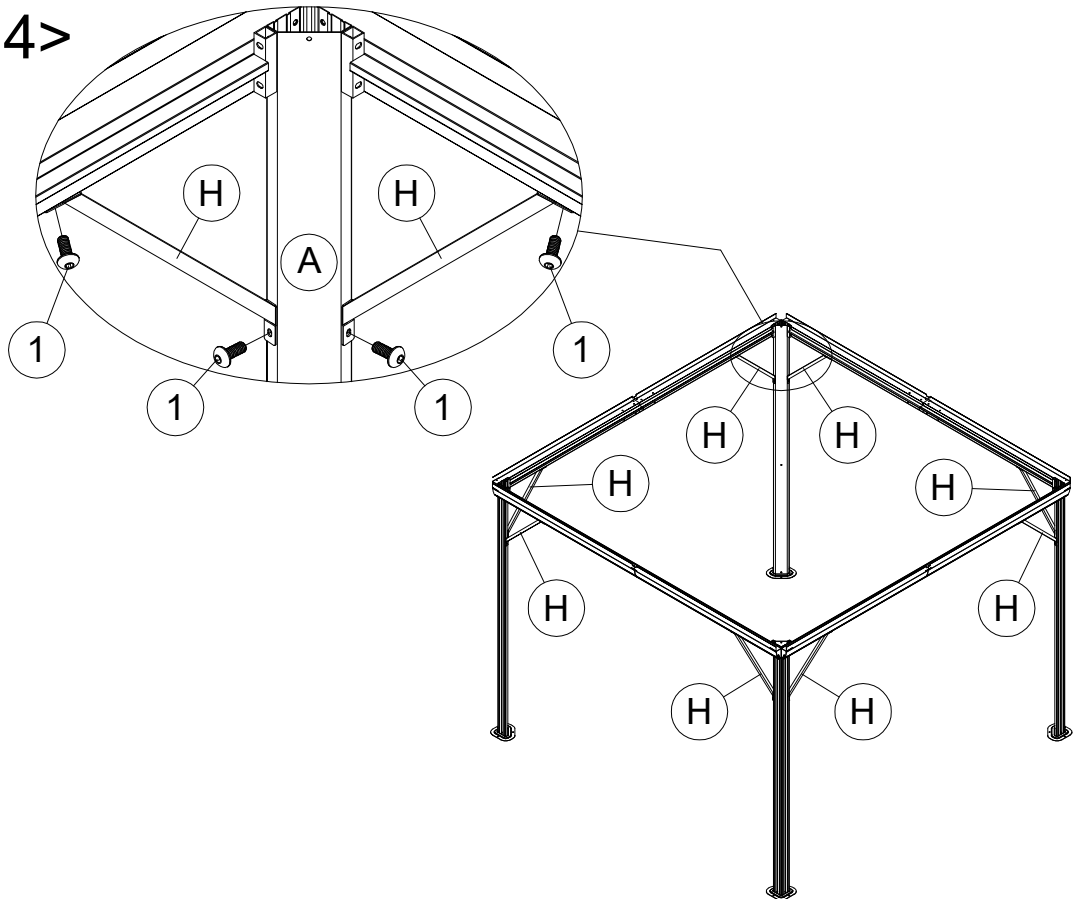


H 8x

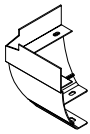


1 16x M6x15

<4>



5



K 4x



K1 4x



U 96x



V 4x

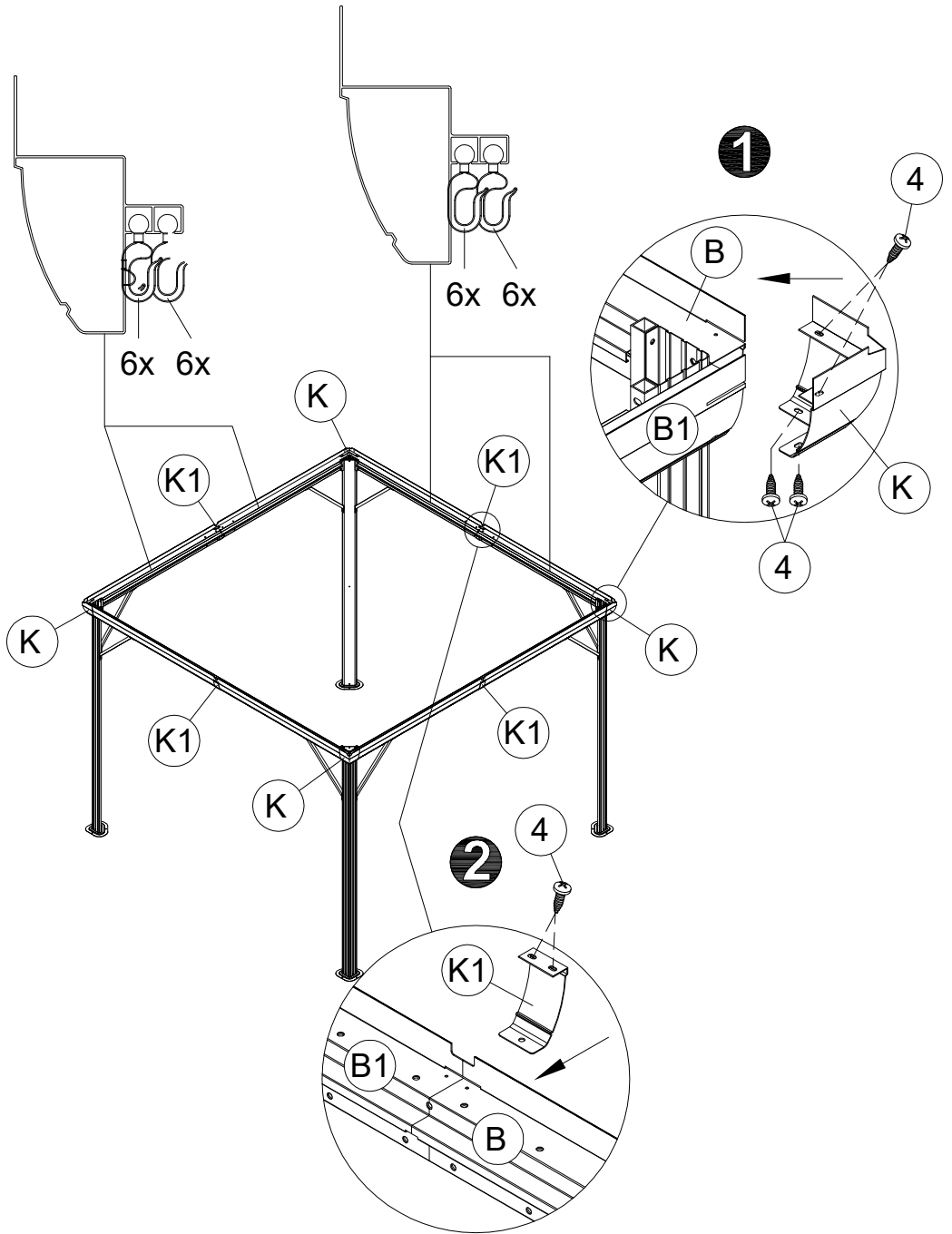


3 4x M5x12

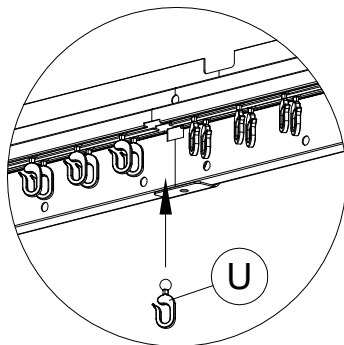


4 24x ST4.8x12

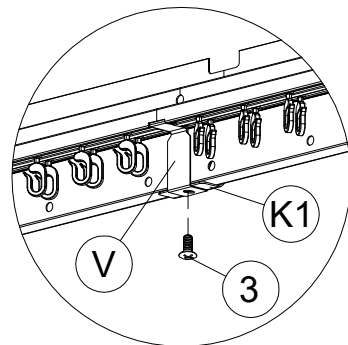
<5>



3



4

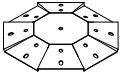


6



<6>

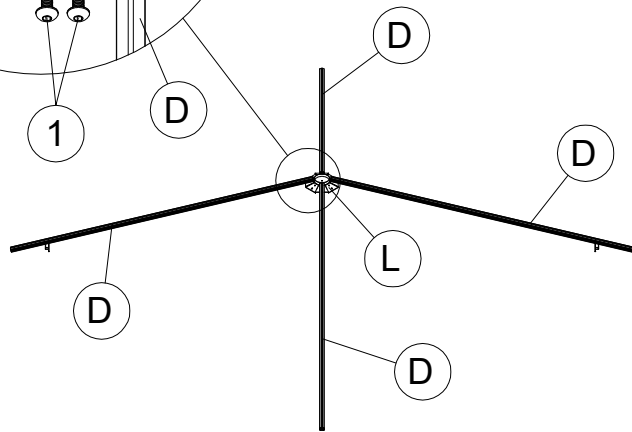
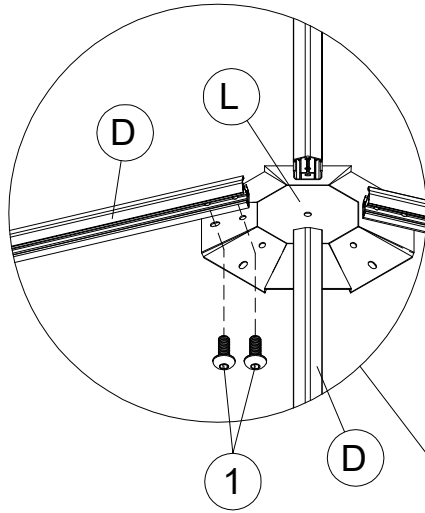
(D) 4x



(L) 1x

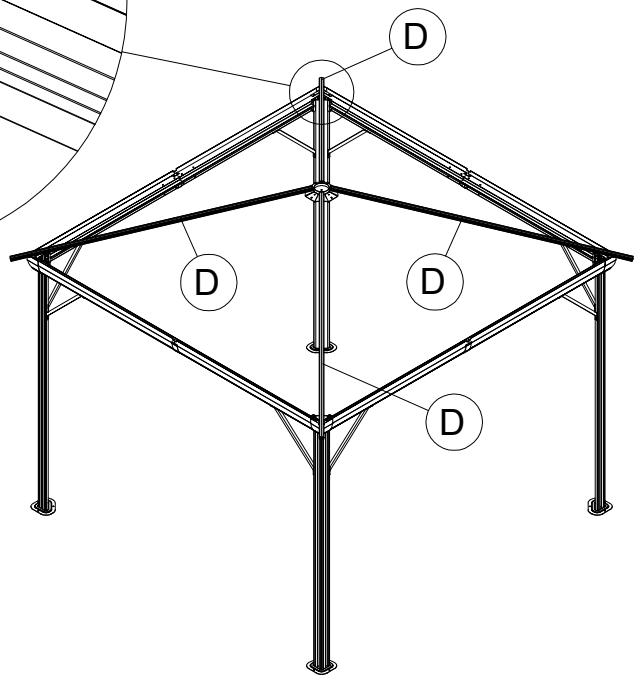
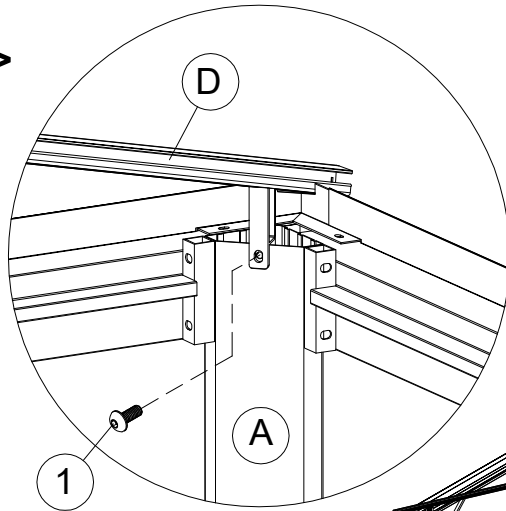


(1) 8x M6x15



(1) 4x M6x15

<7>



7



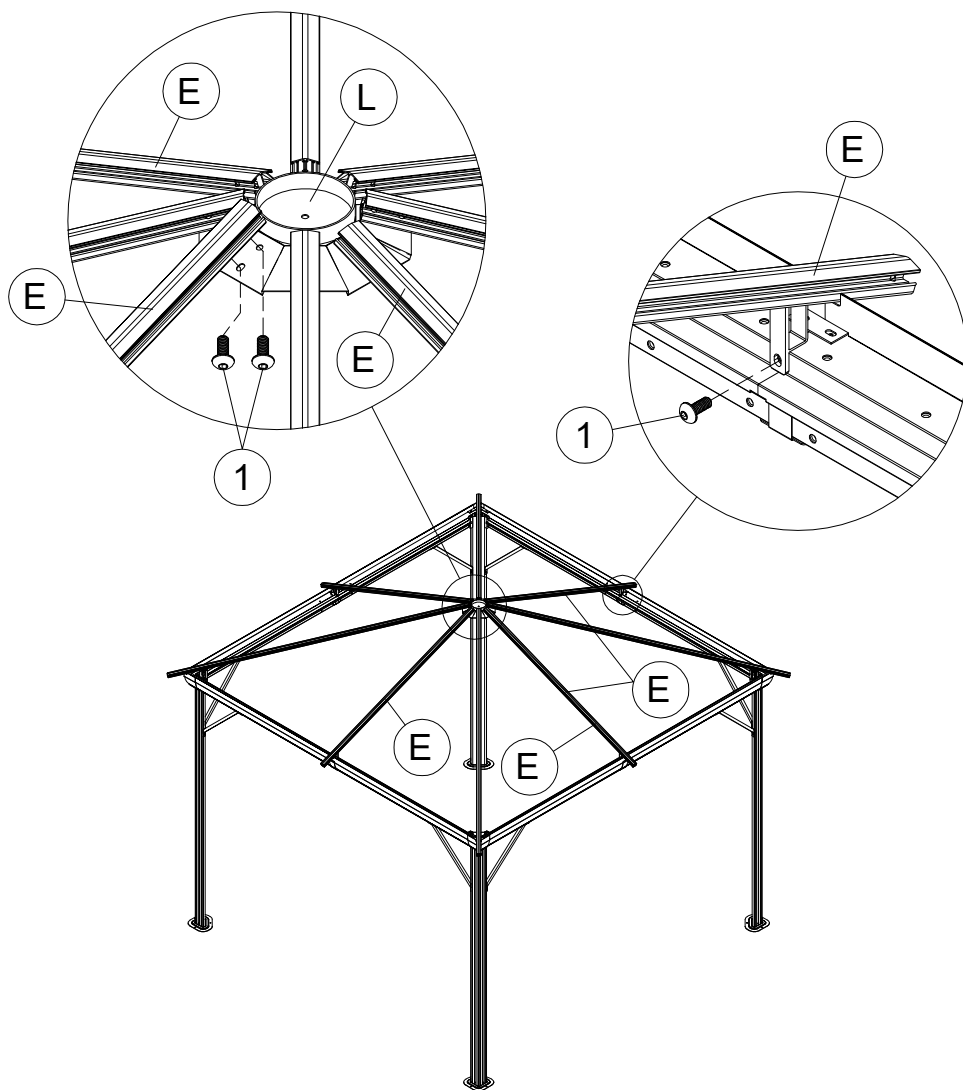


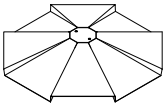
<8>

(E) 4x



(1) 12x M6x15



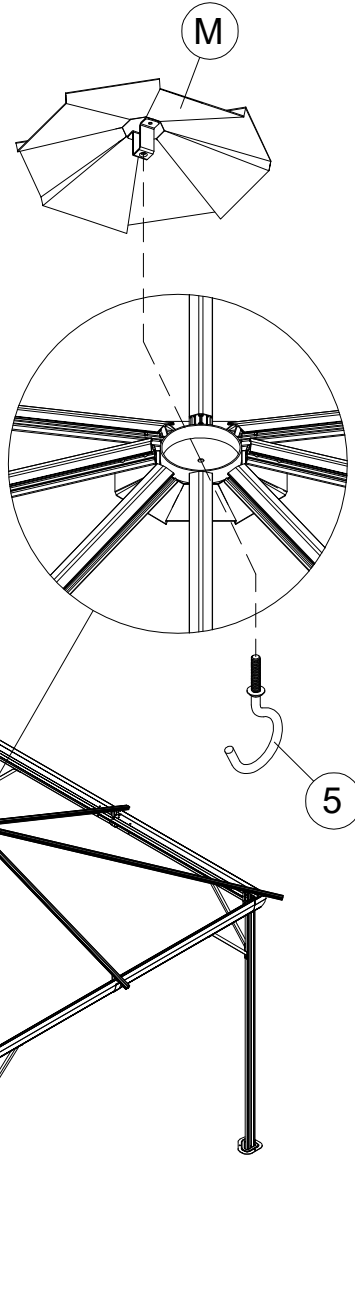


<9>

M 1x

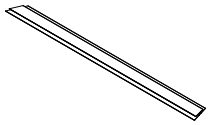


5 1x

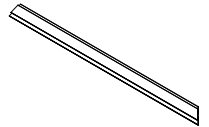


9

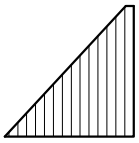
<10>



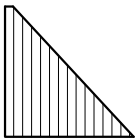
F1 4x



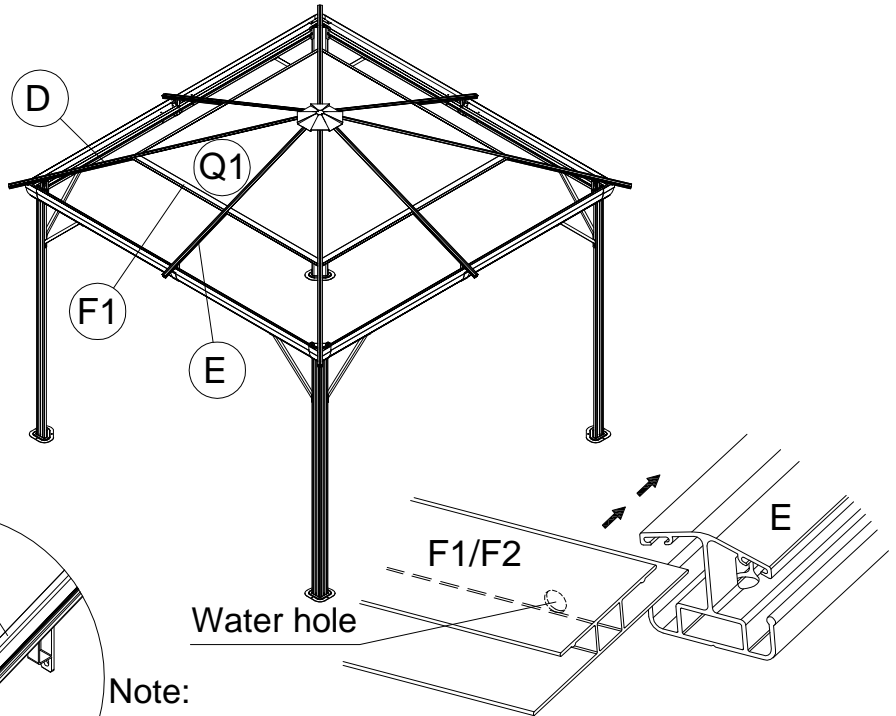
F2 4x



Q1 4x

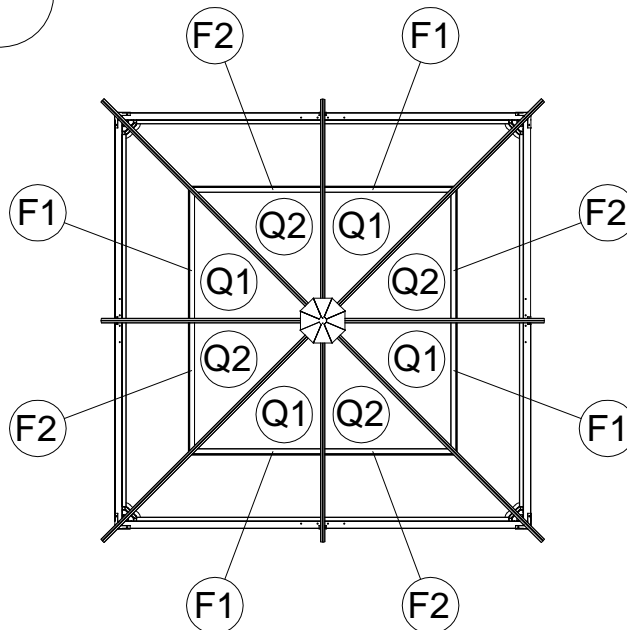
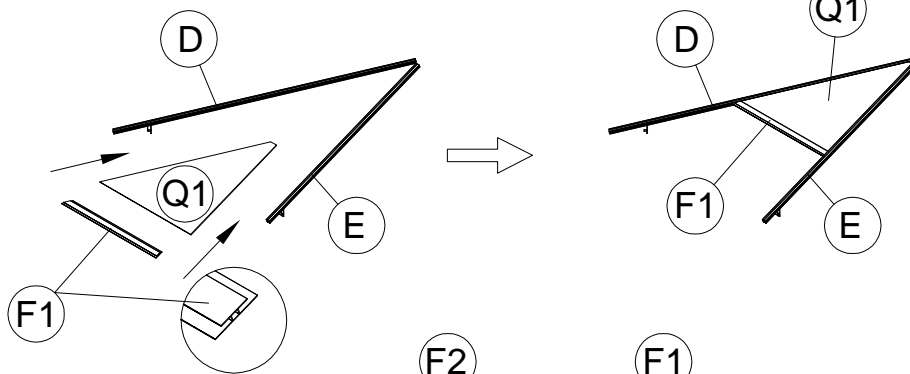


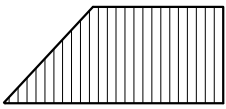
Q2 4x



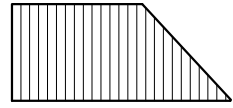
Note:

1. When F1 or F2 slide into the E, the wide side must be face down and narrow side face up, otherwise will cause water leaking
2. F1 or F2 the water holes inside of the tube must be face up, otherwise will cause water leaking



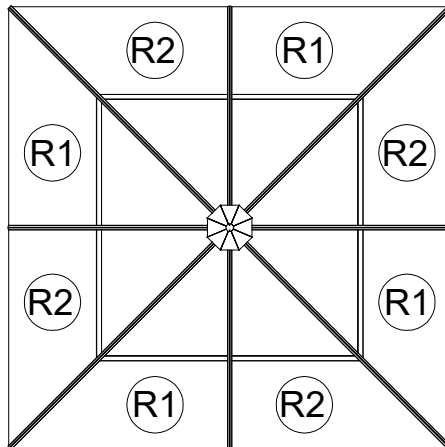
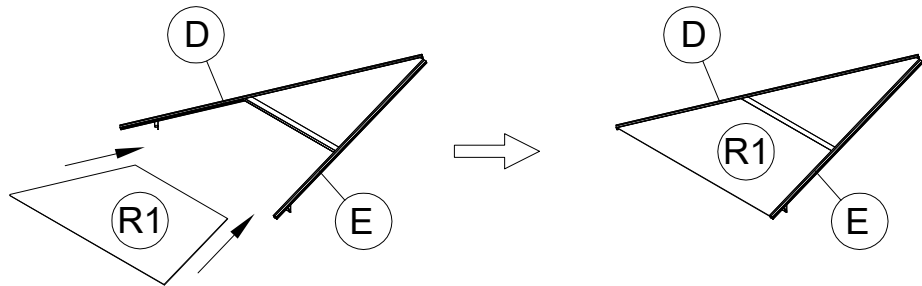
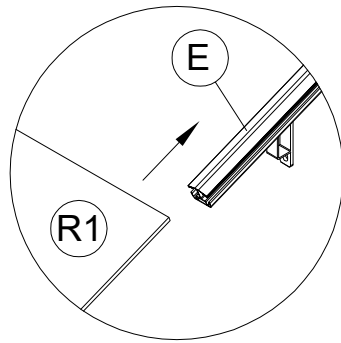
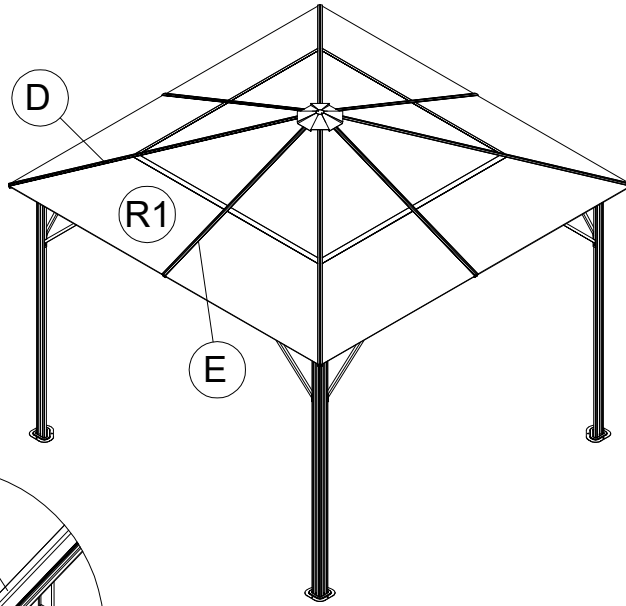


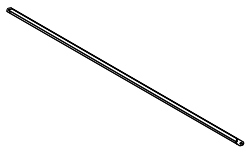
R1 4x



R2 4x

<11>





<12>

G1 8x



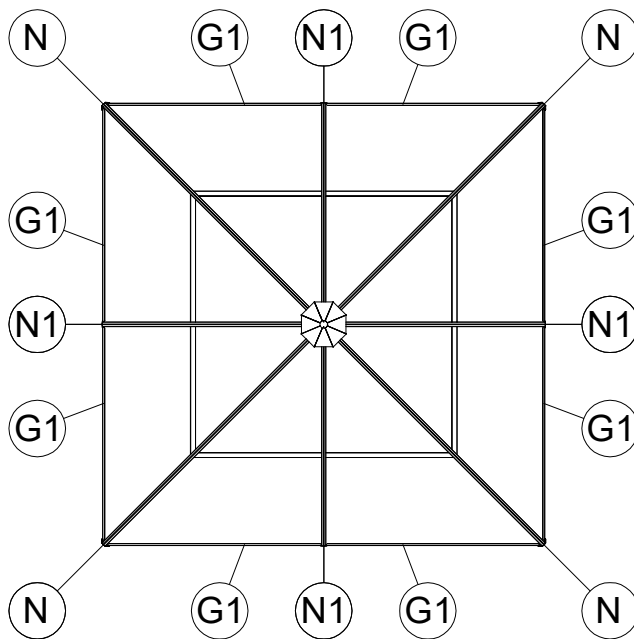
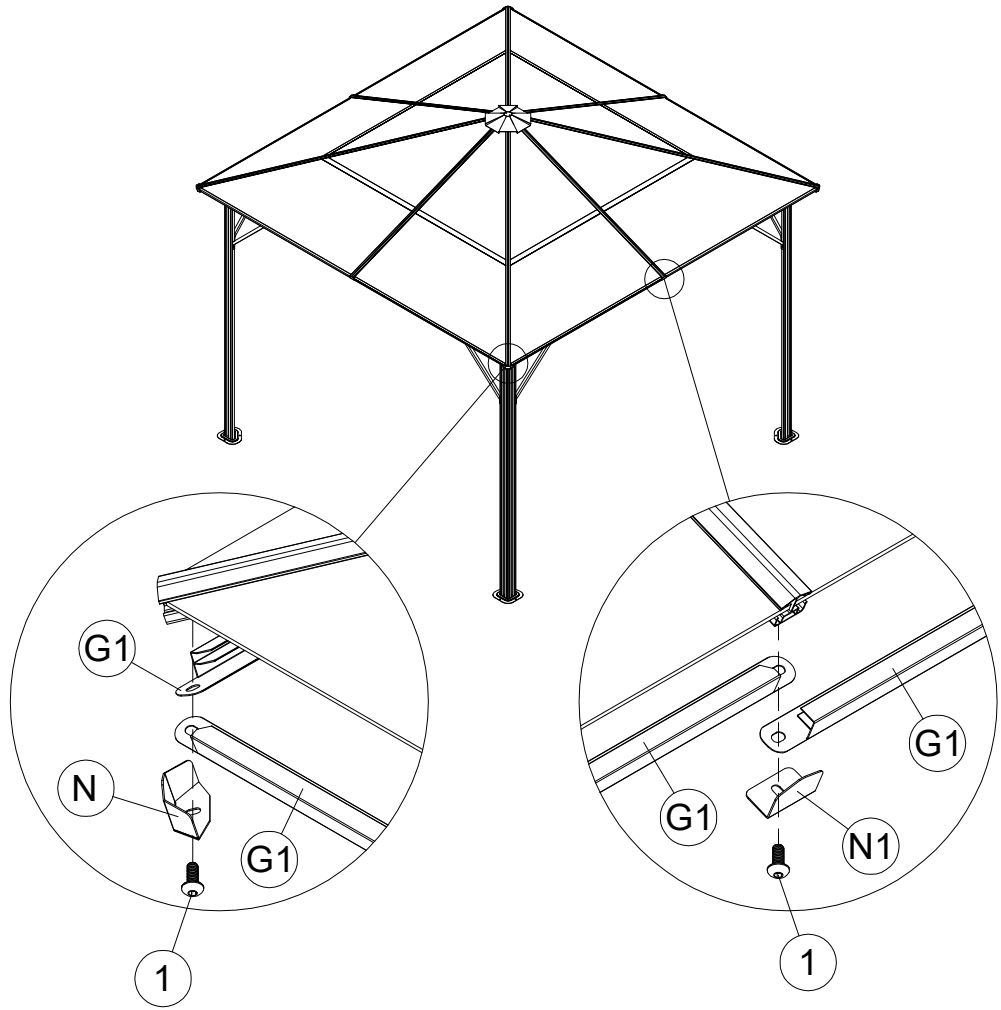
N 4x

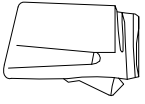


N1 4x



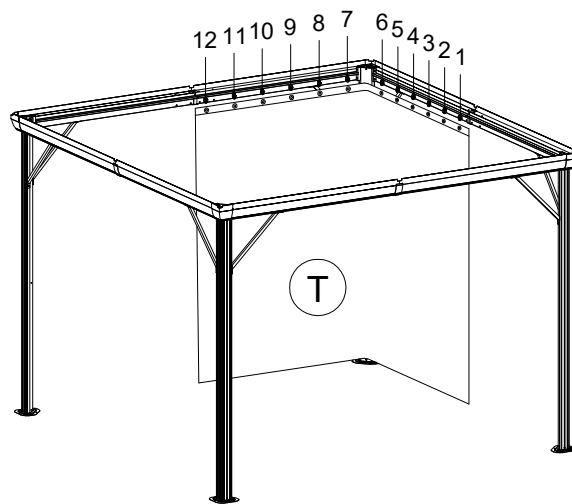
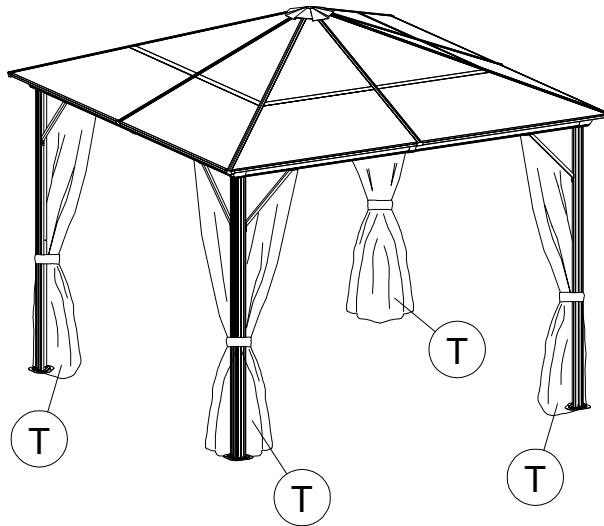
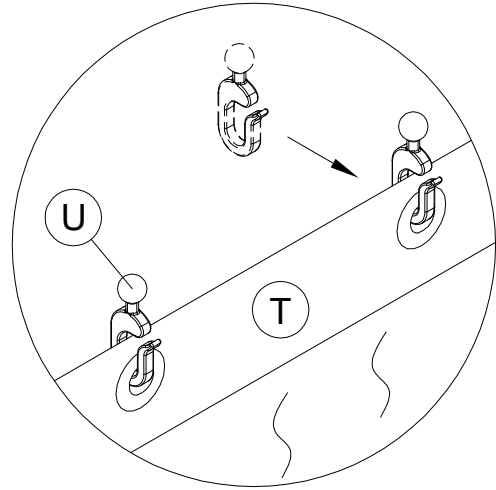
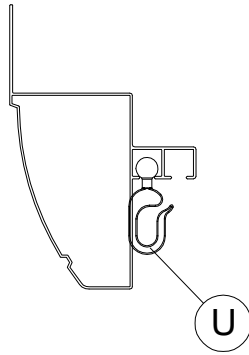
1 8x M6x15

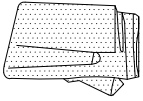




<13>

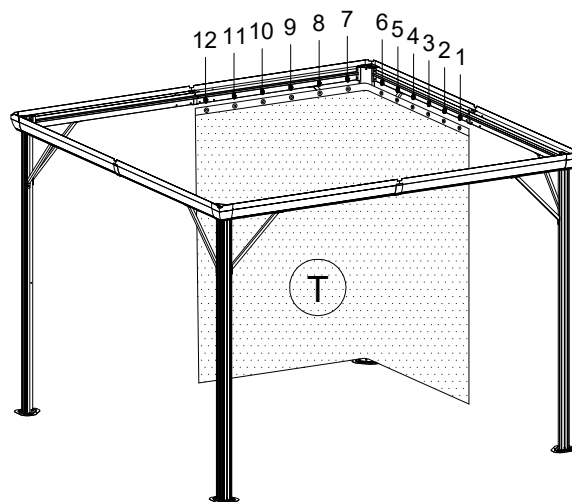
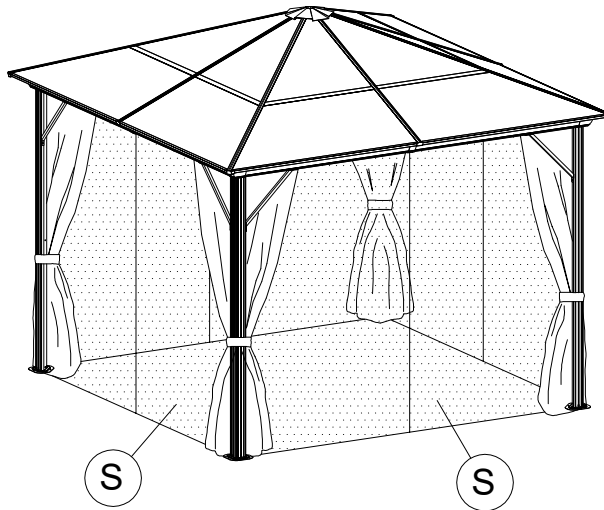
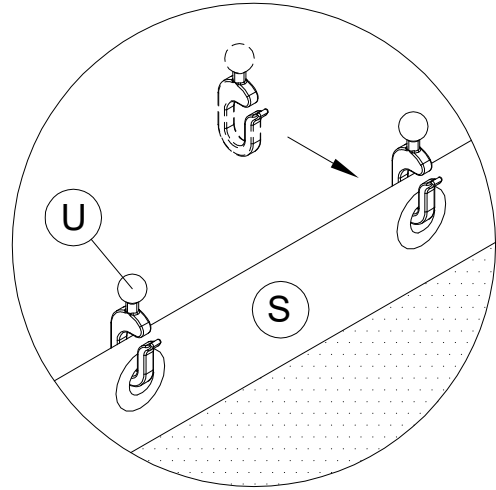
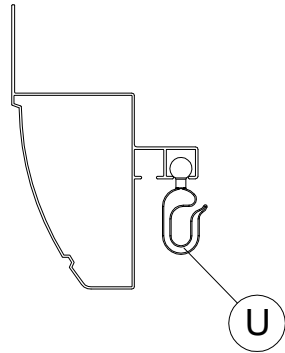
T 4x





<14>

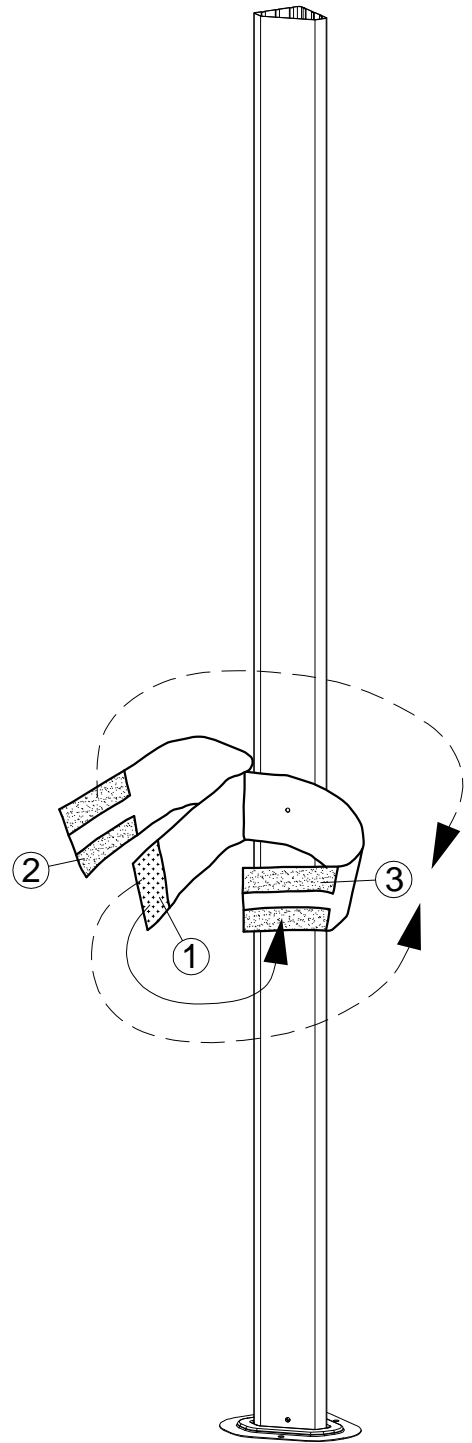
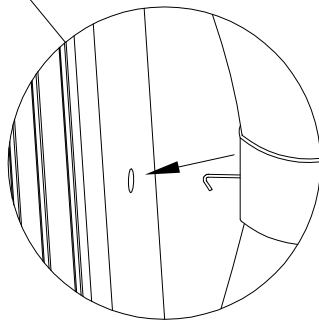
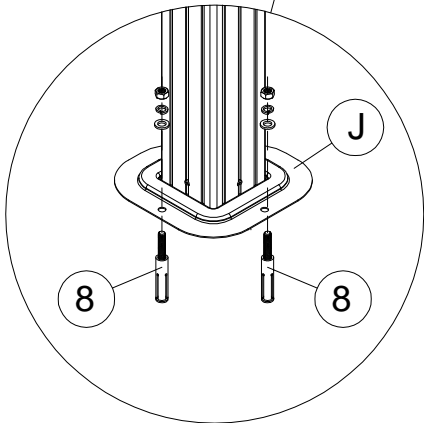
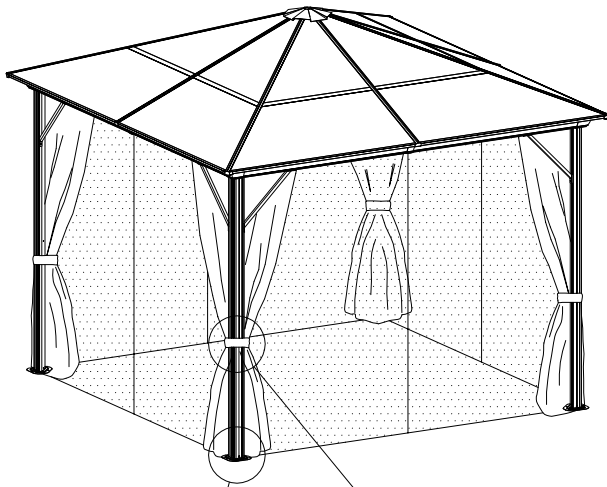
S 4x





<15>

8 12x



Note:

1. 1 stick 2 tie S and T together
2. 1 stick 3 towards back tie T
3. 1 stick 3 towards front tie S

15



## Contact information

Austria



Belgium



Croatia



Denmark



Estonia



Finland



France



Germany



Ireland



Italy



Latvia



Lithuania



Nederland



Norway



Poland



Portugal



Spain



Sweden



Switzerland



UK

