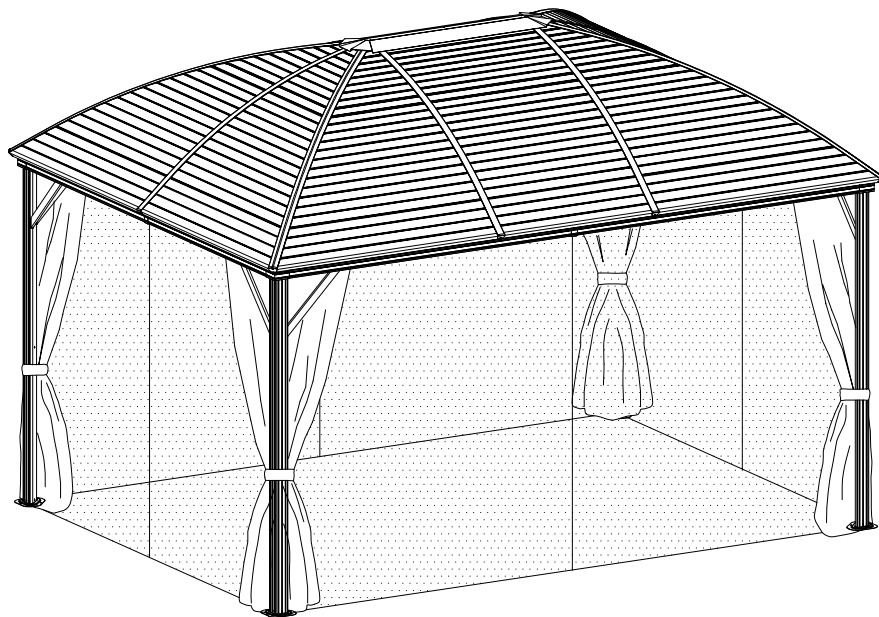


DANCOVER[®]

.com

Manual
for
Gazebo San Jose 3x4m
Brown

3 x 4 M





(A) 4x



(B) 2x



(B1) 2x



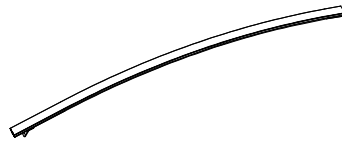
(C) 2x



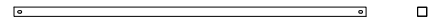
(C1) 2x



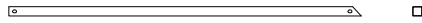
(D) 4x



(E) 6x



(F) 2x



(F1) 8x



(G) 2x



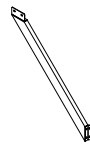
(G1) 4x



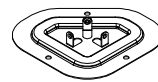
(G2) 4x



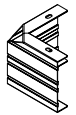
(H1) 4x



(H2) 4x



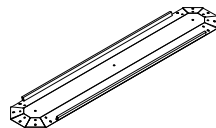
(J) 4x



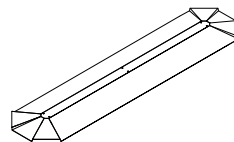
(K) 4x



(K1) 4x




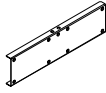
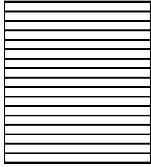
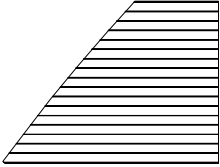
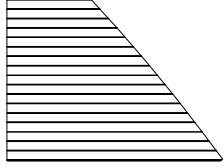
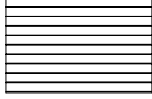
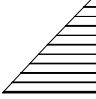
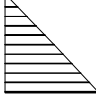
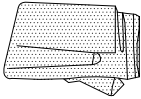
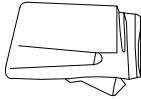

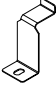
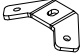
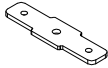
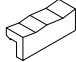







(L) 1x



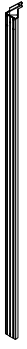
(M) 1x



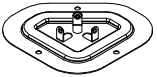
(N) 4x

			
(N1) 6x	(P) 4x	(Q) 2x	(Q1) 4x
			
(Q2) 4x	(R) 2x	(R1) 4x	(R2) 4x
			
(S) 4x	(T) 4x	(U) 112x	(V) 4x
			
(W) 4x	(W1) 6x	(Y) 20x	S4 1x
			
M6x15 (1) 113x	M6x10 (2) 32x	M5x12 (3) 48x	ST4.8x12 (4) 24x
			
(5) 2x	(8) 12x		

<1>



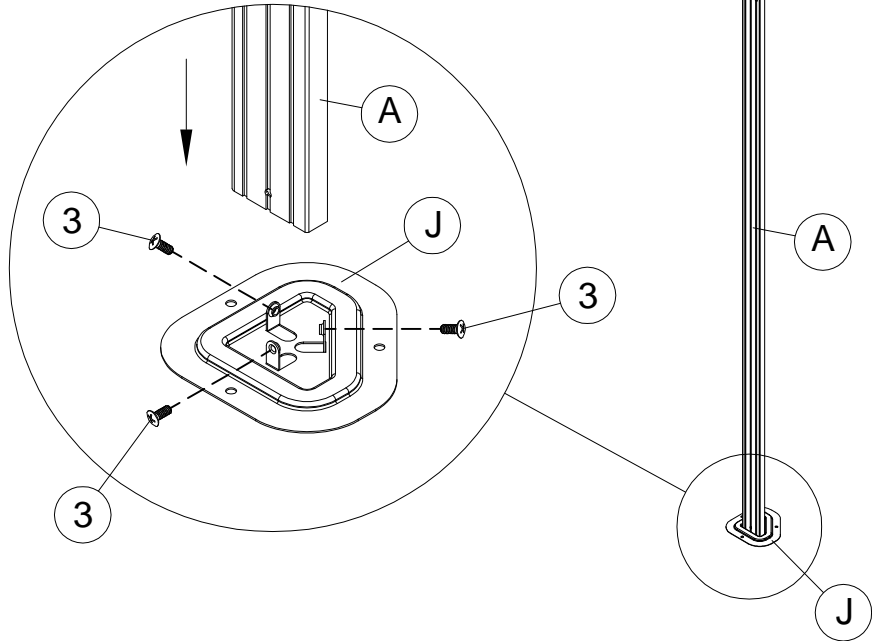
A 4x



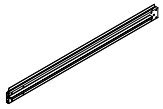
J 4x



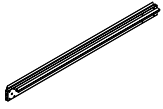
3 12x M5x12



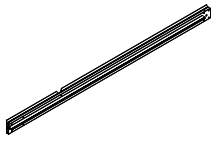
4



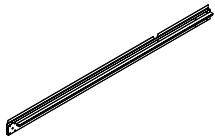
(B) 2x



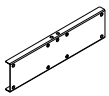
(B1) 2x



(C) 2x



(C1) 2x



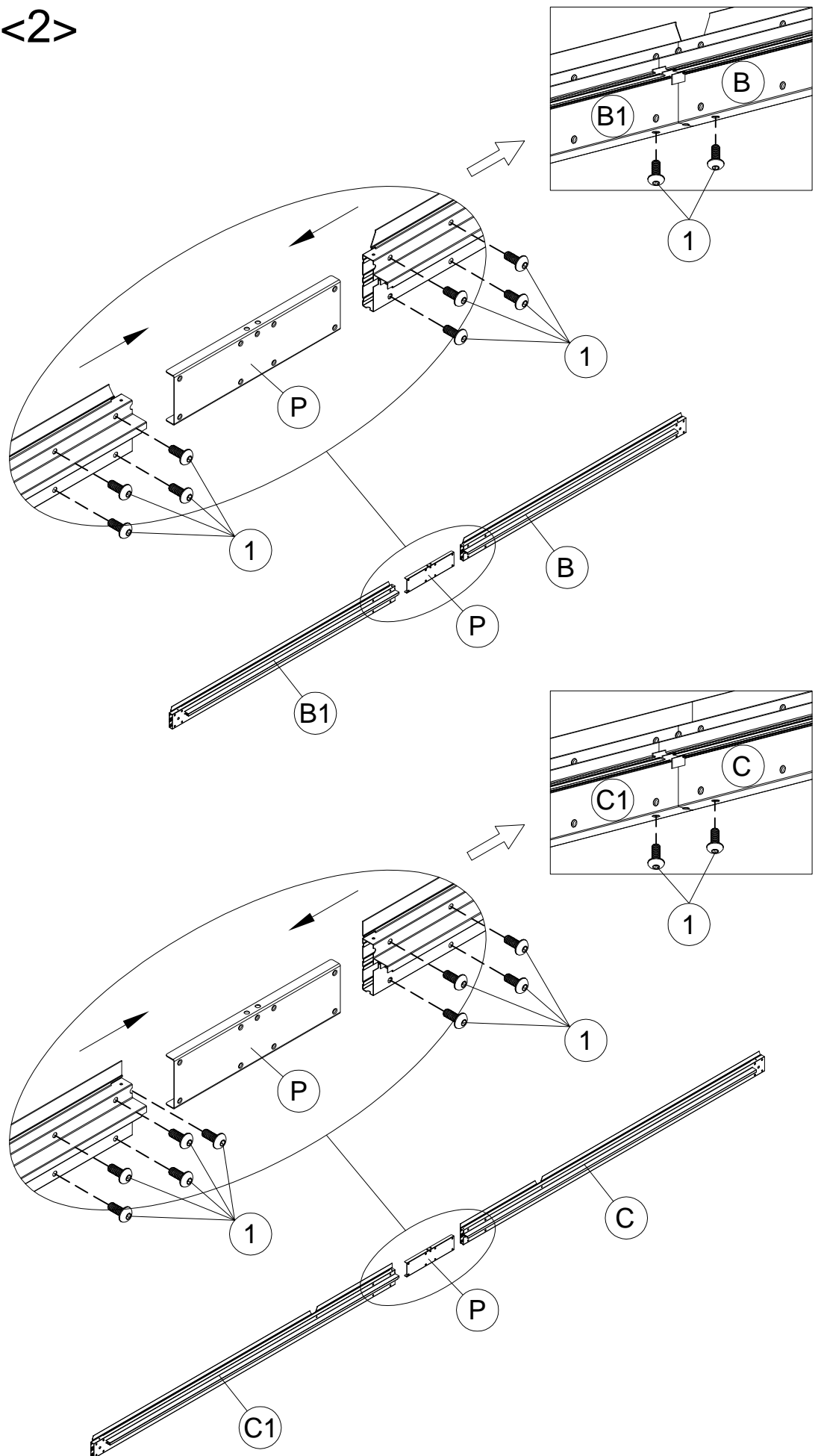
(P) 4x



(1) 42x M6x15

5

<2>

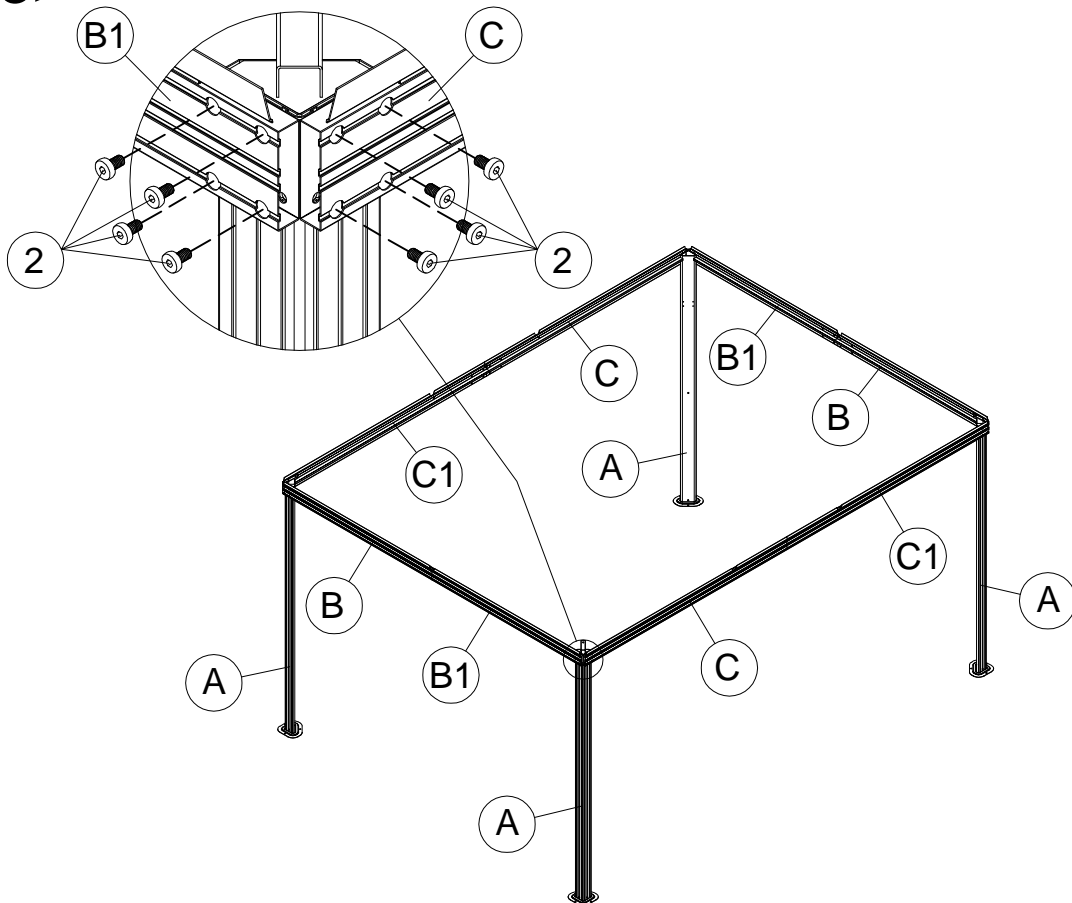




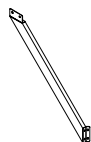
2 32x

M6x10

<3>



H1 4x



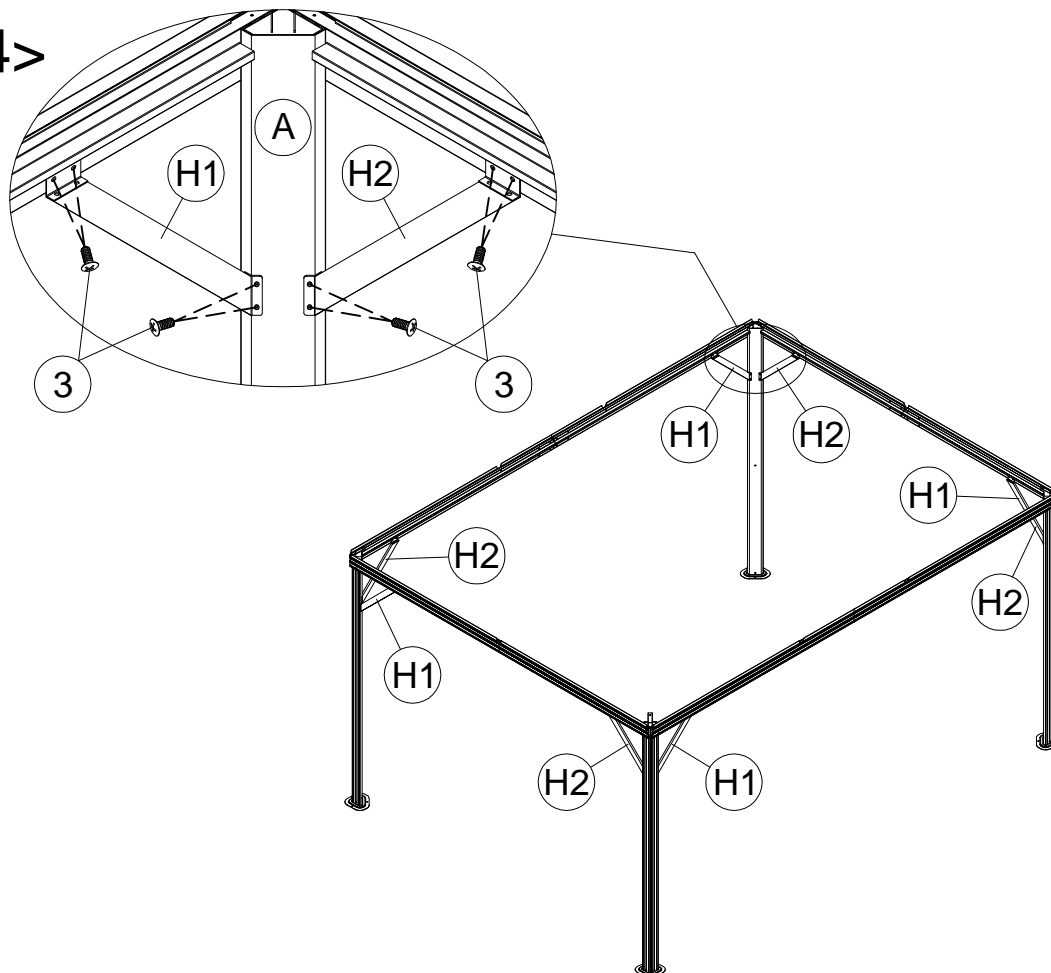
H2 4x



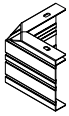
3 32x

M5x12

<4>



6



(K) 4x



(K1) 4x



(U) 112x



(V) 4x

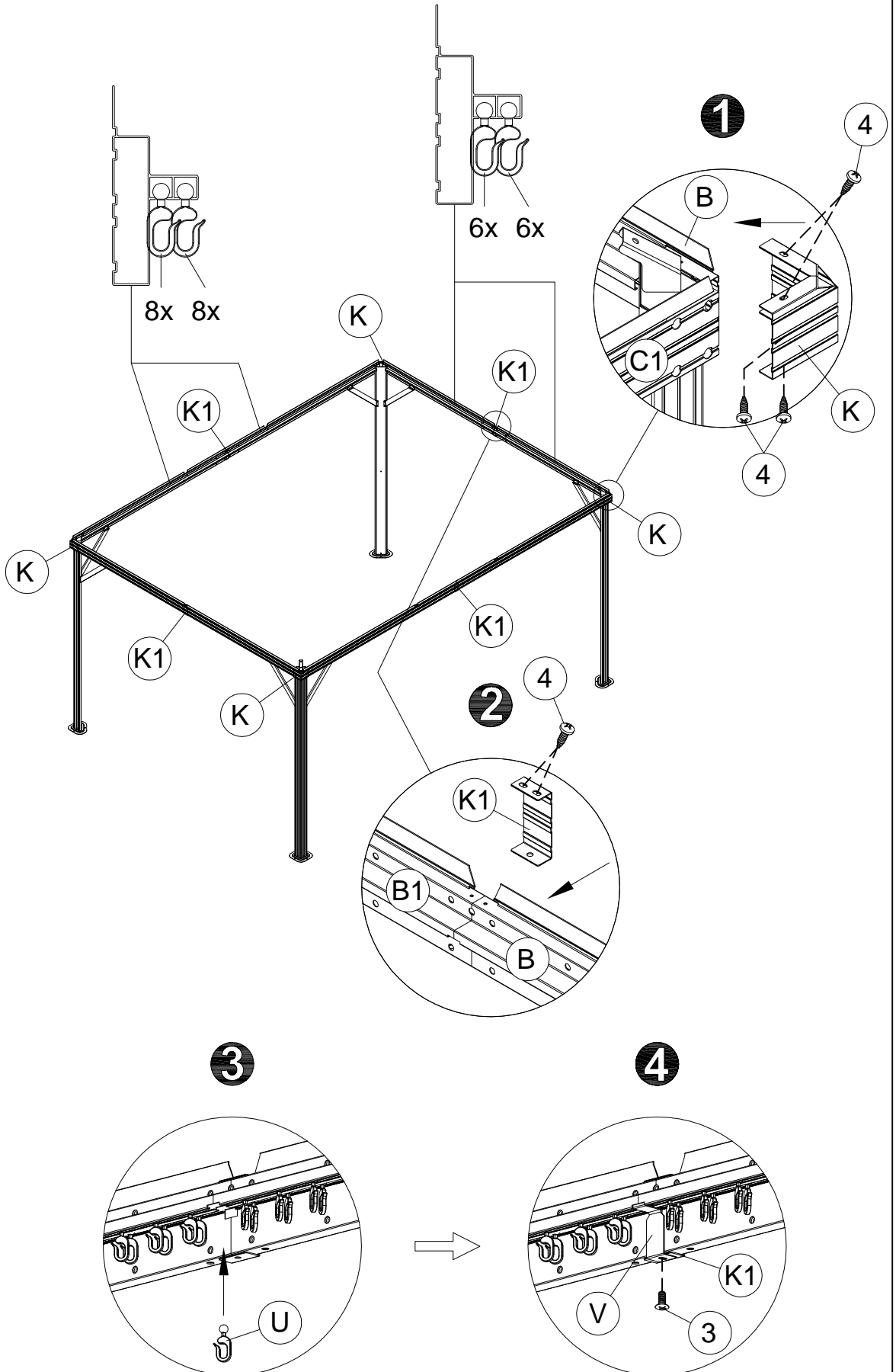


(3) 4x M5x12



(4) 24x ST4.8x12

<5>

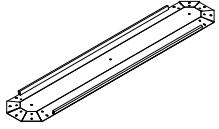


7



<6>

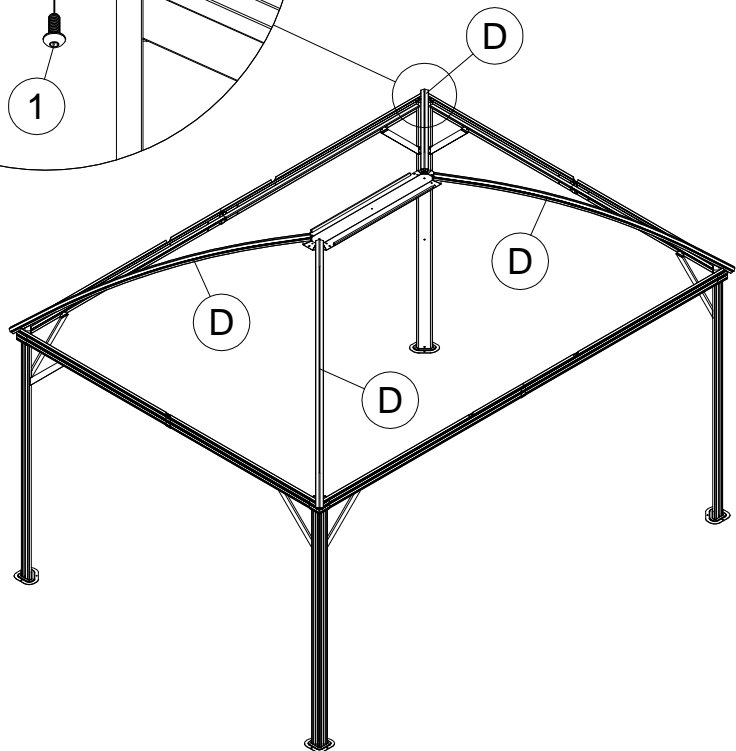
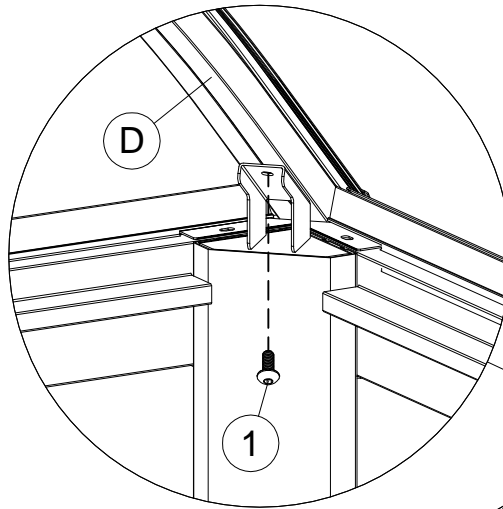
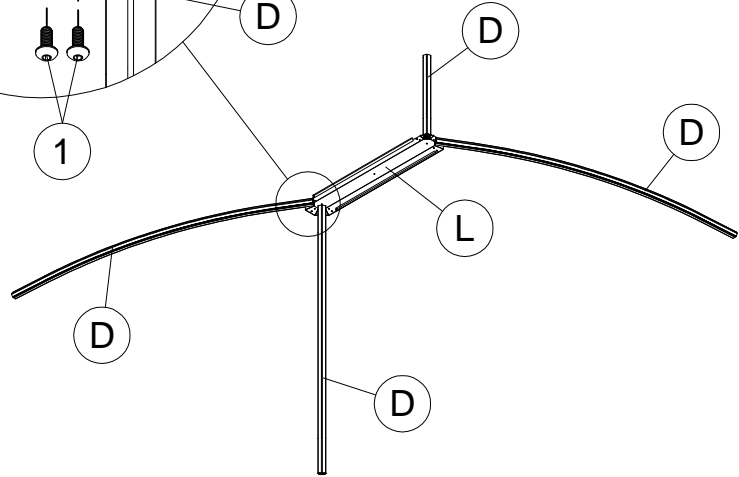
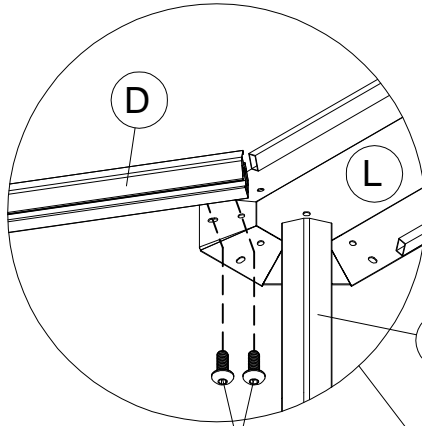
D 4x



L 1x



1 12x M6x15



8

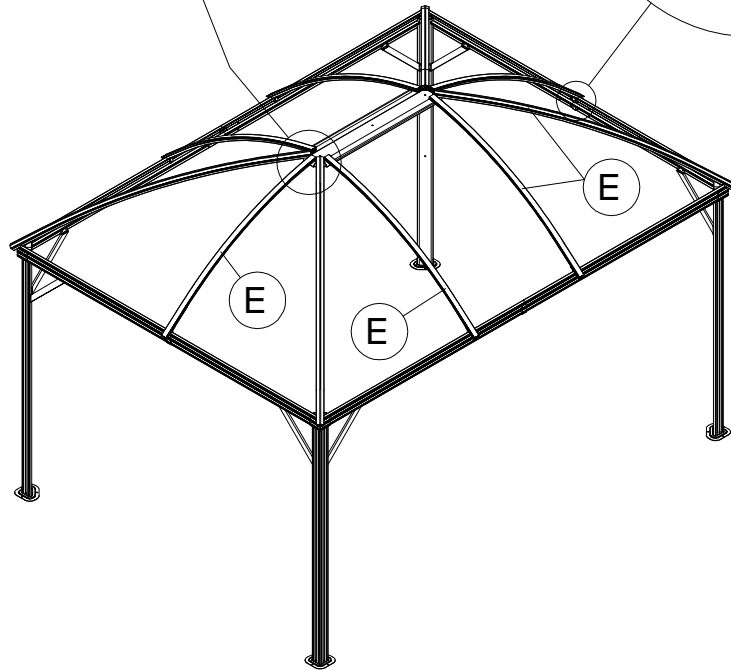
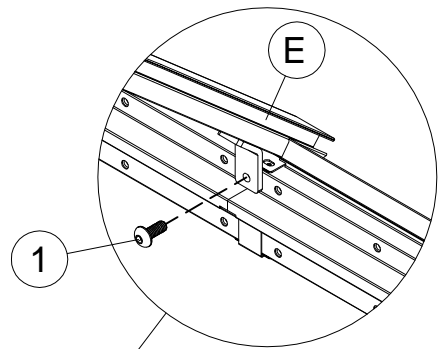
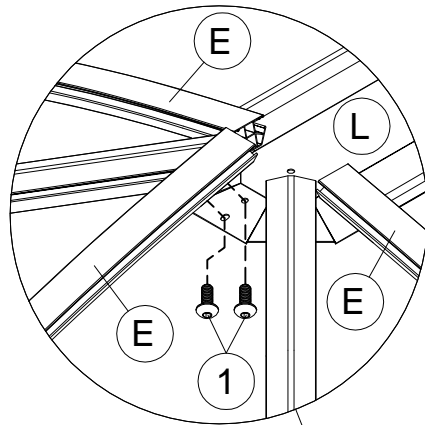


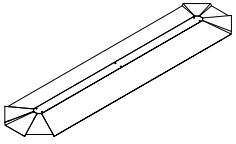
<7>

E 6x



1 M6x15
18x





M 1x

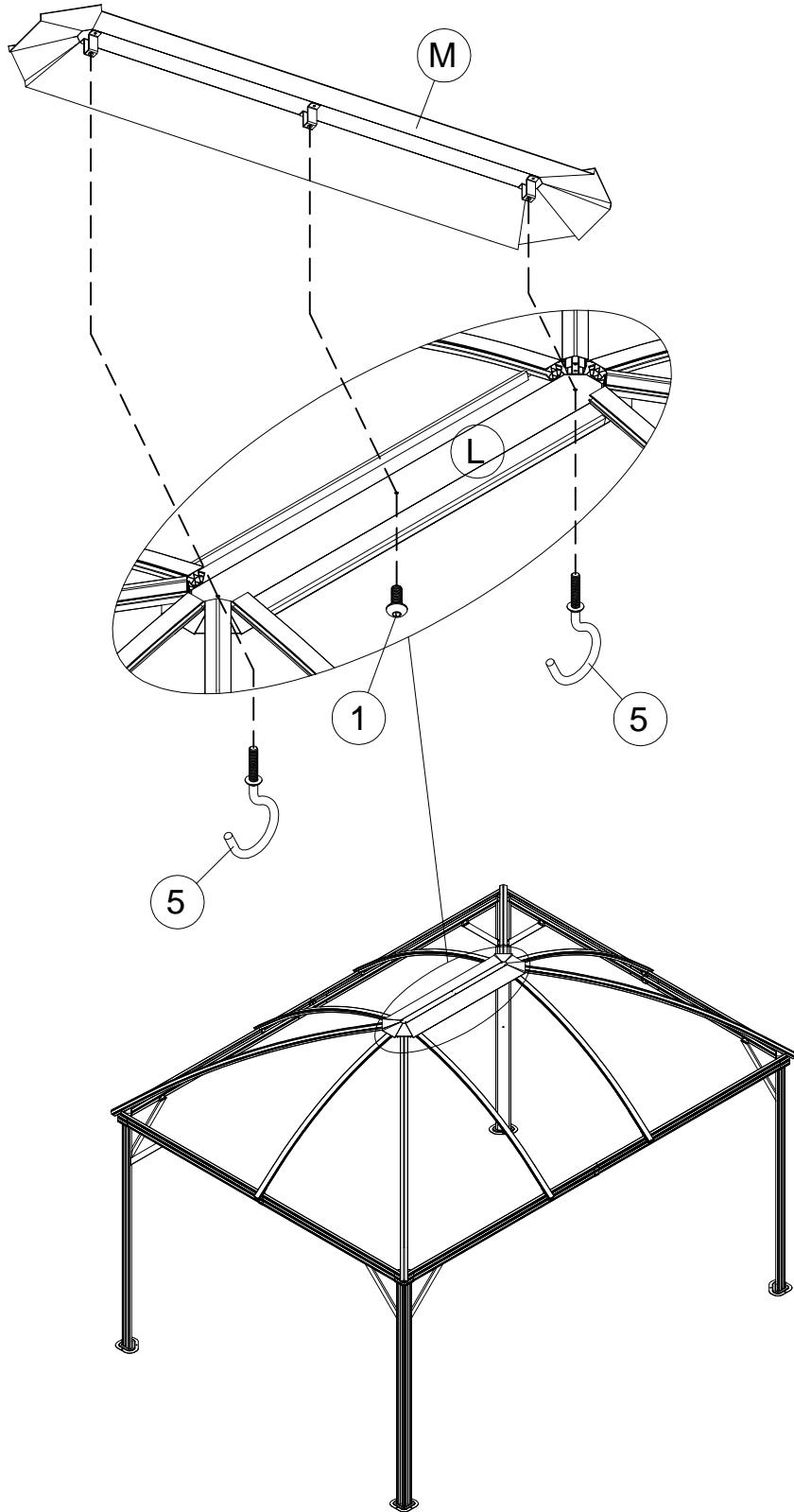


1 1x M6x15



5 2x

<8>



<9>

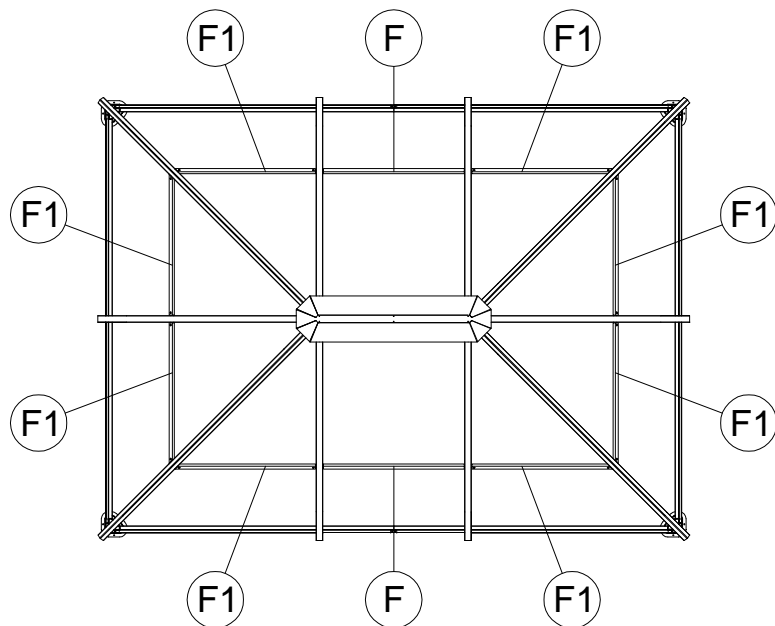
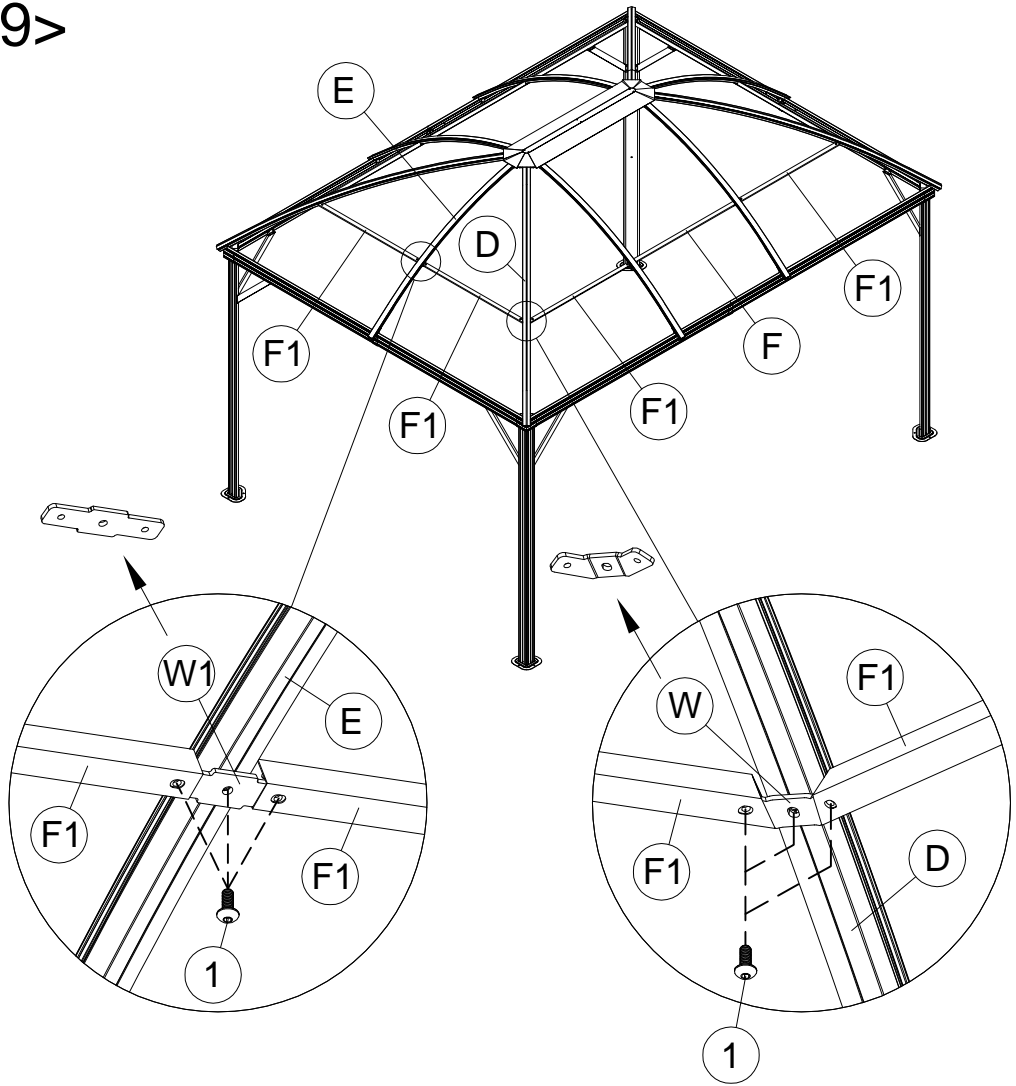
F 2x

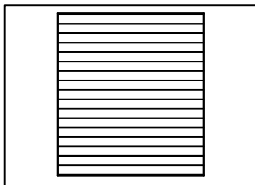
F1 8x

W 4x

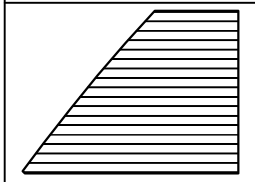
W1 6x

1 M6x15
30x

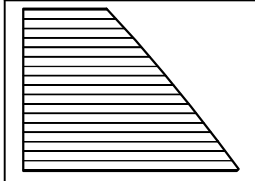




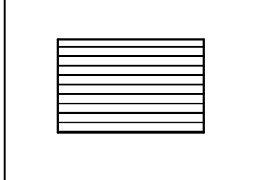
Q 2x



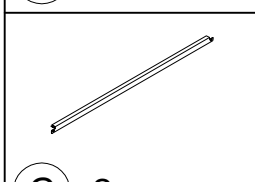
Q1 4x



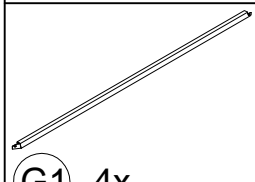
Q2 4x



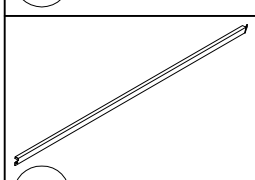
R 2x



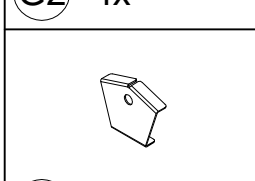
G 2x



G1 4x



G2 4x

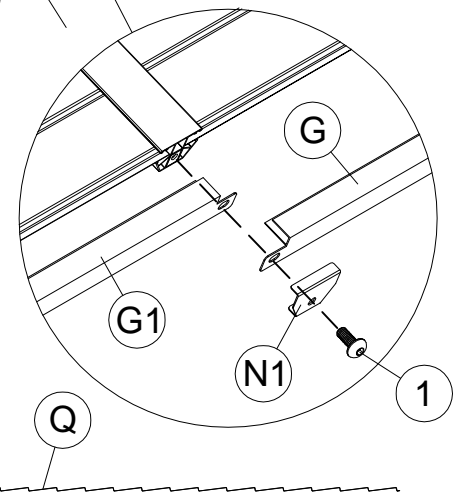
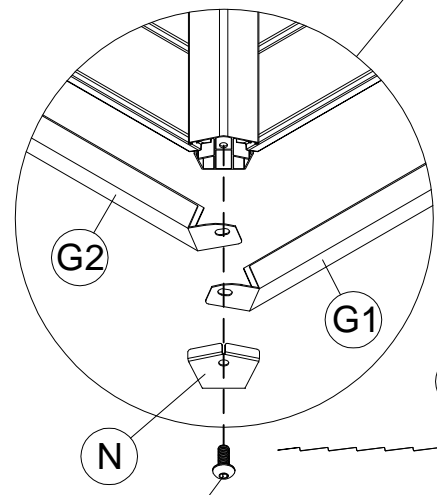
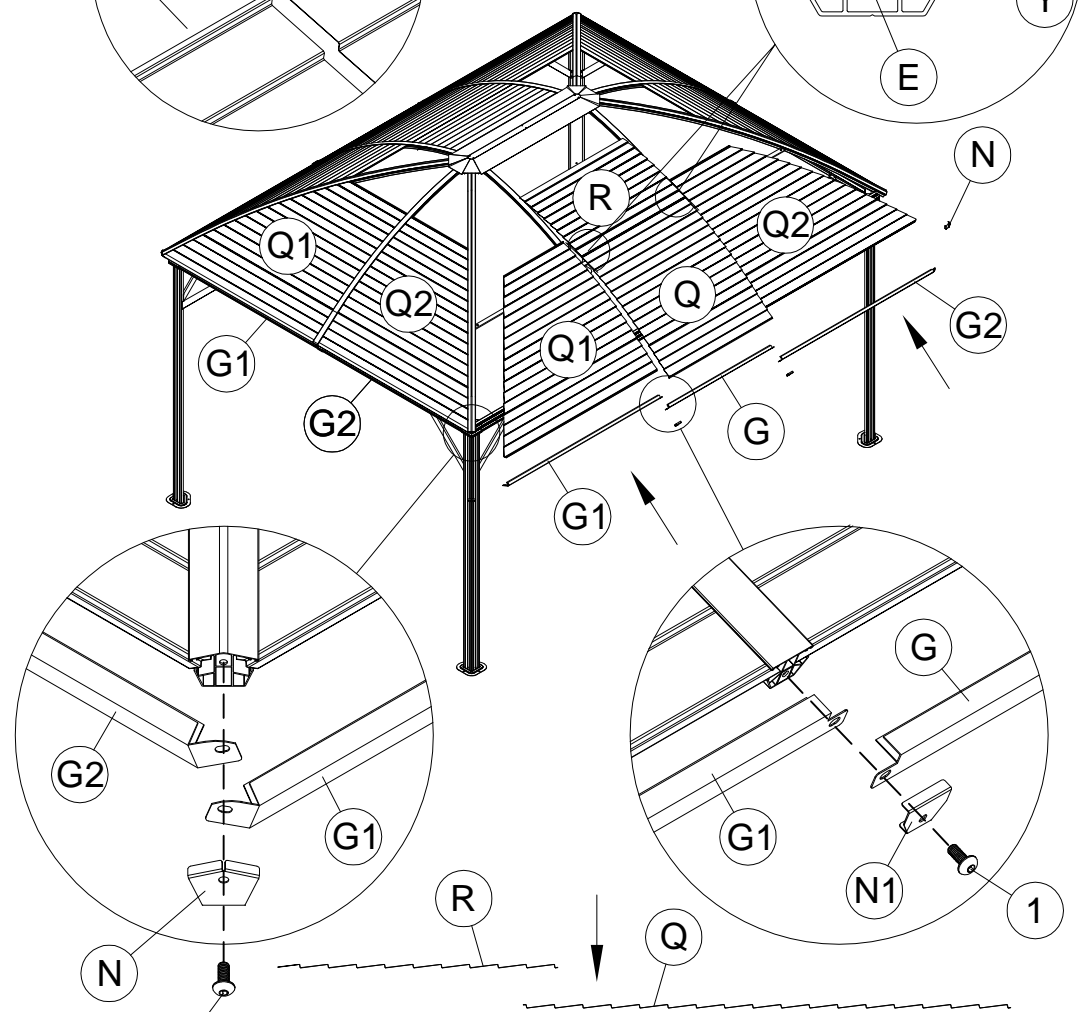
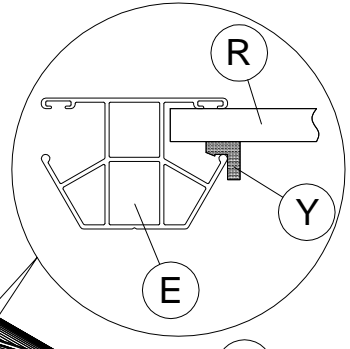
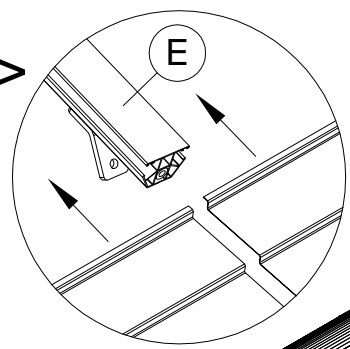


Y 4x

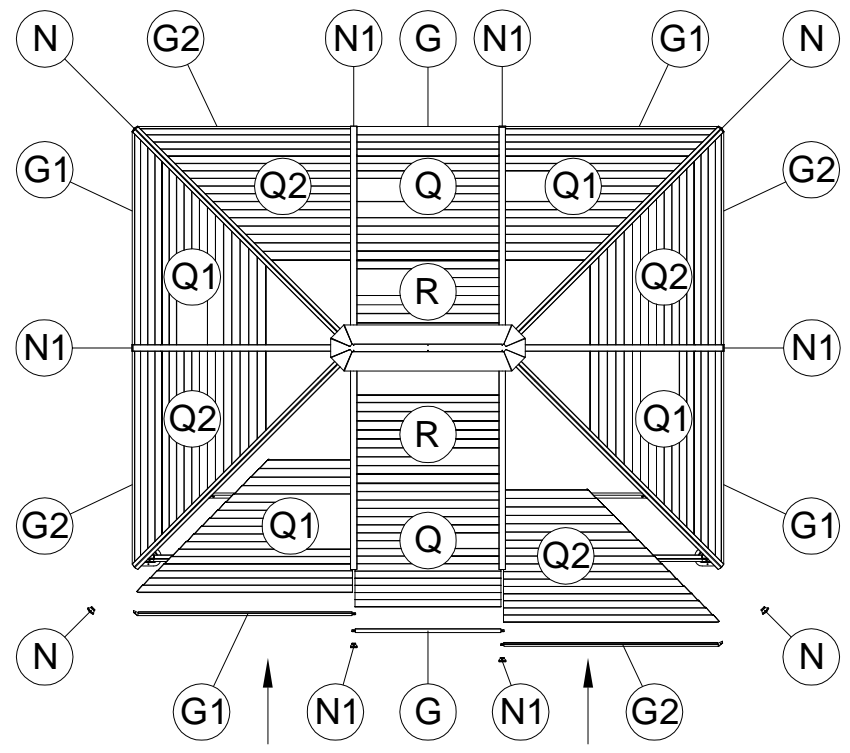
N 4x

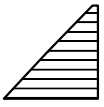
12

<10>

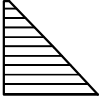


- N1 6x
- Y 4x
- 1 10x M6x15





R1 4x



R2 4x

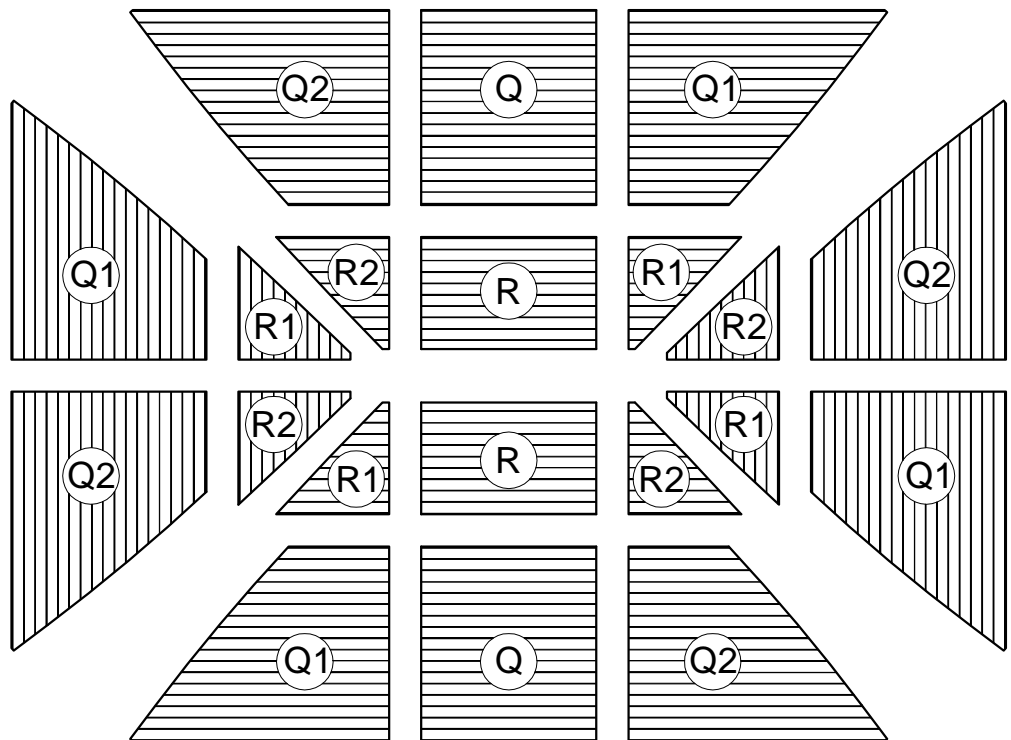
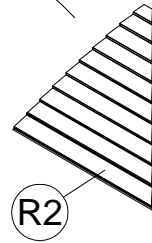
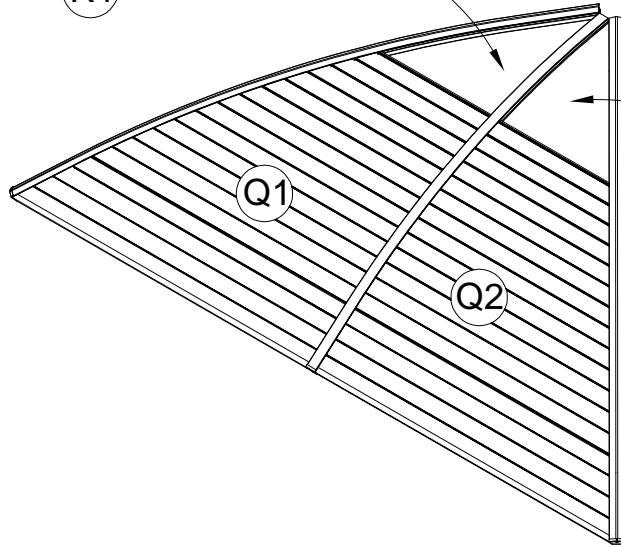
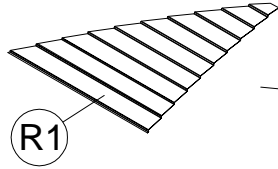
<11>

R1 or R2 or R

Q1 or Q2 or Q

D or E

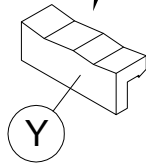
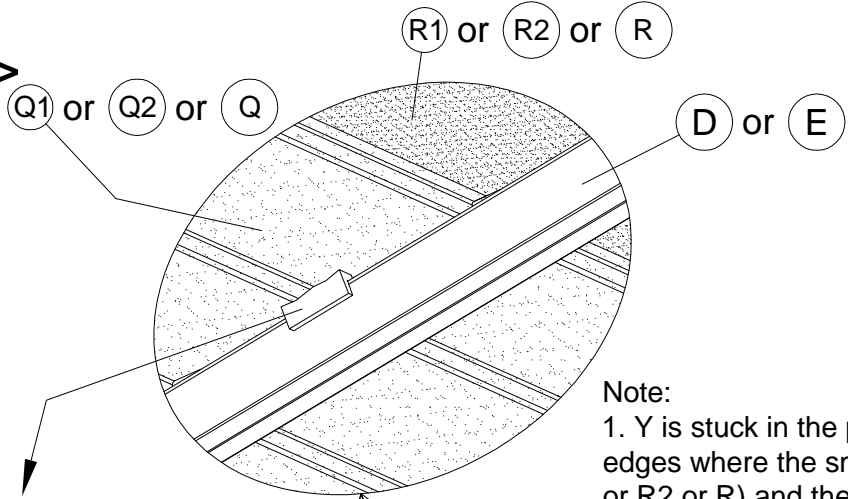
Y





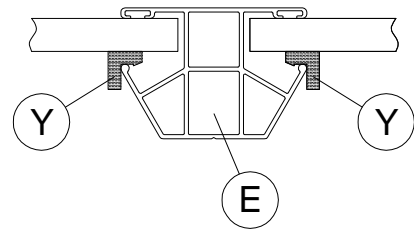
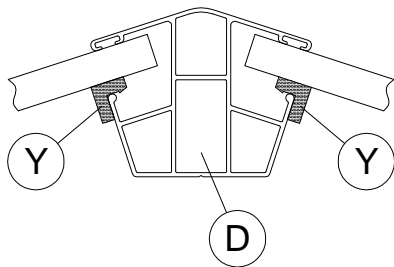
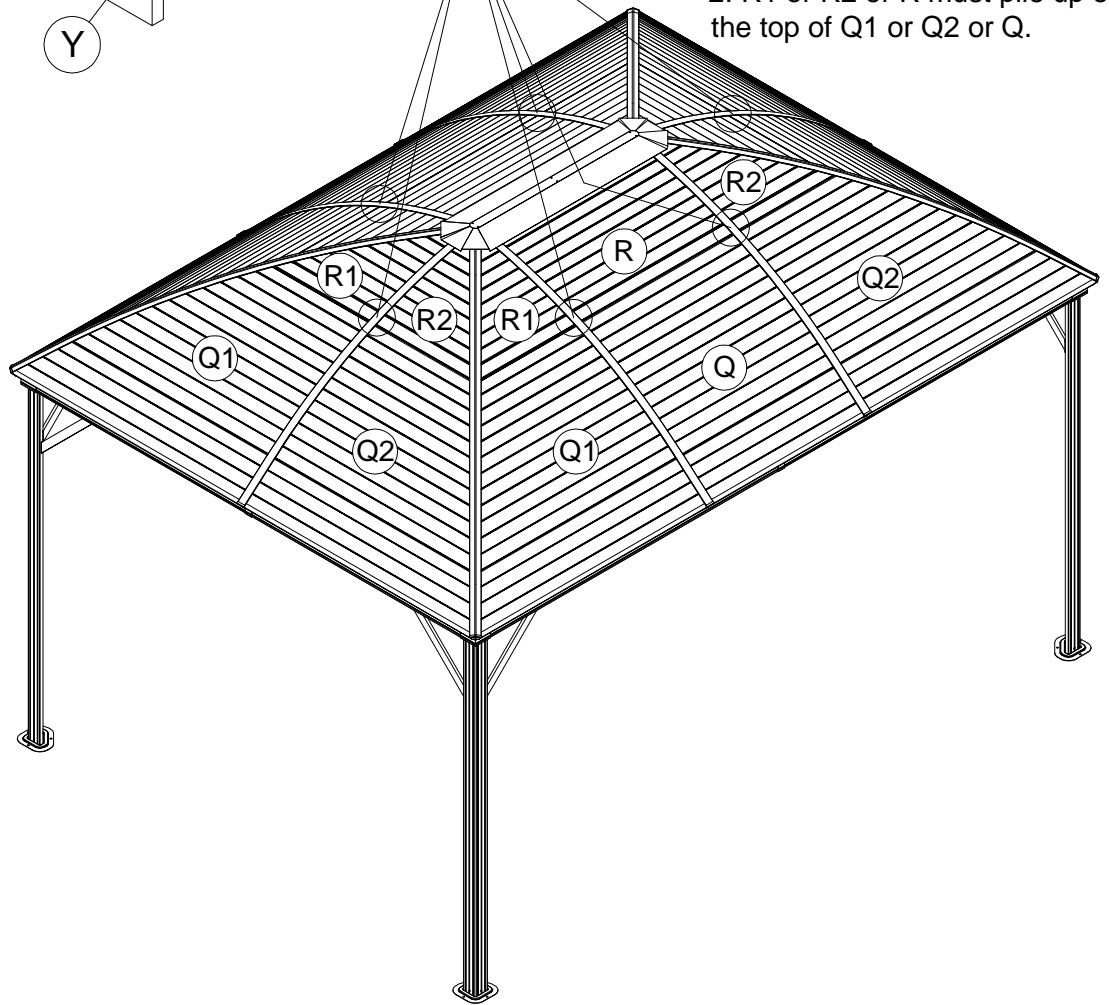
Y 16x

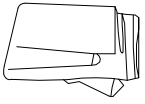
<12>



Note:

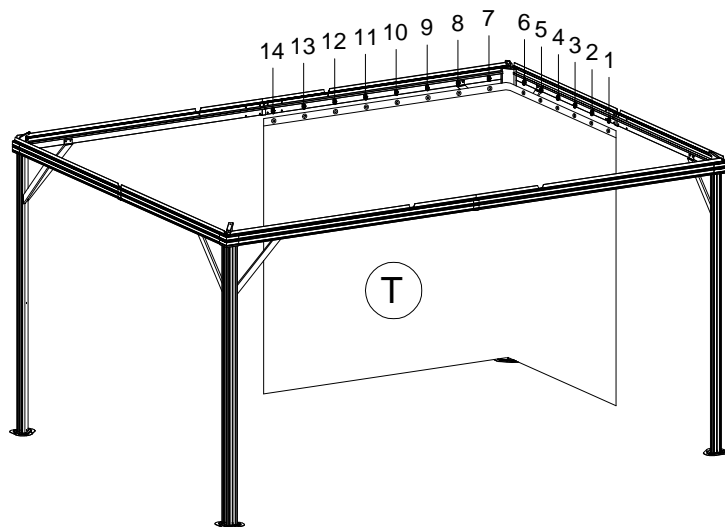
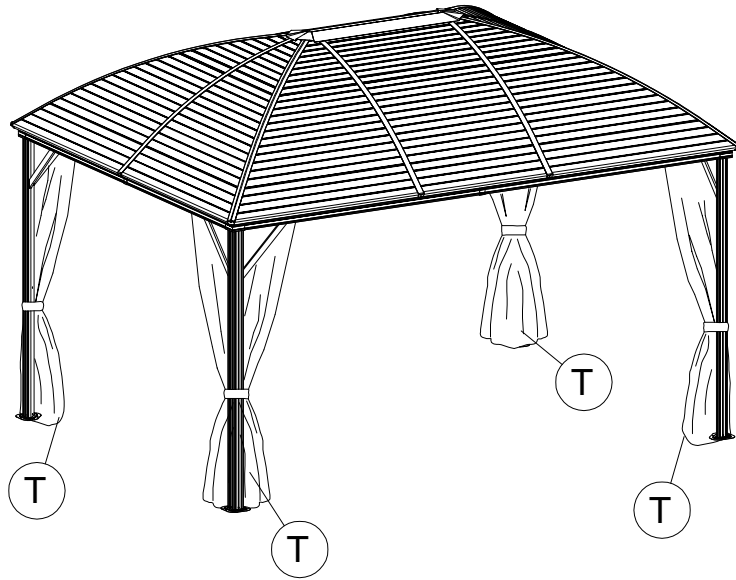
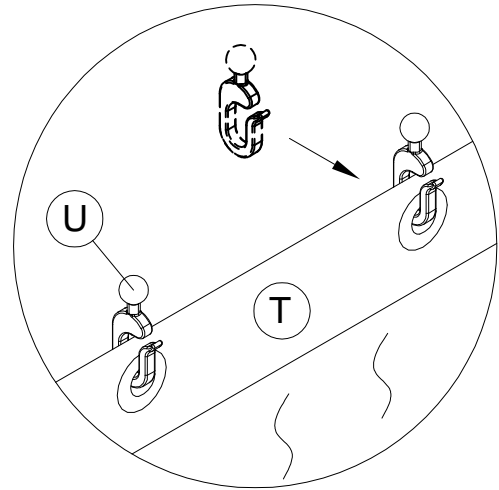
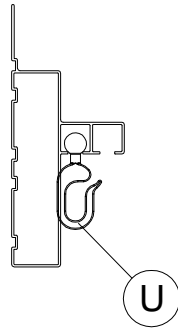
1. Y is stuck in the position of the edges where the small piece (R1 or R2 or R) and the large piece (Q1 or Q2 or Q) overlap.
2. R1 or R2 or R must pile up on the top of Q1 or Q2 or Q.

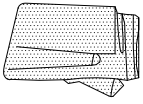




<13>

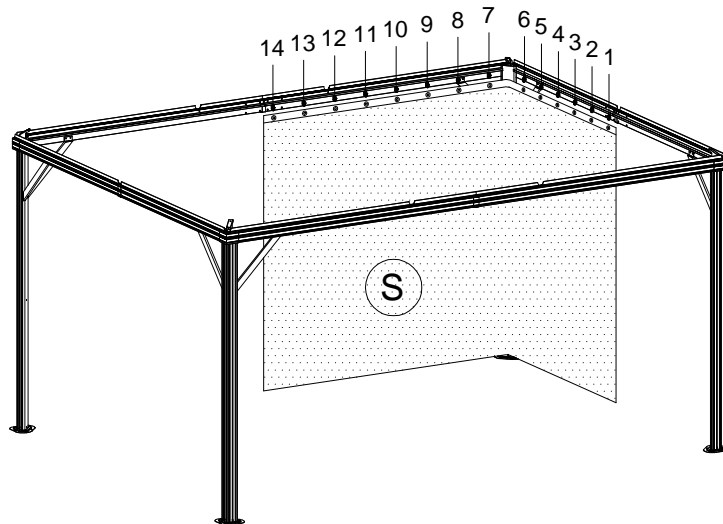
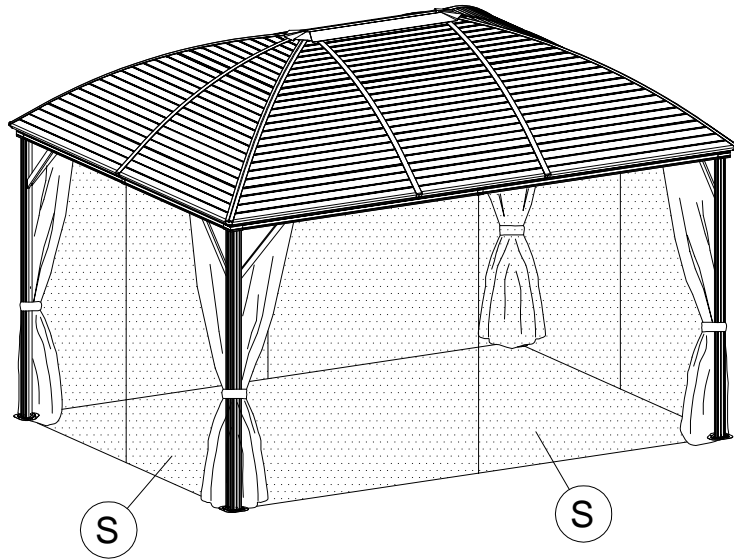
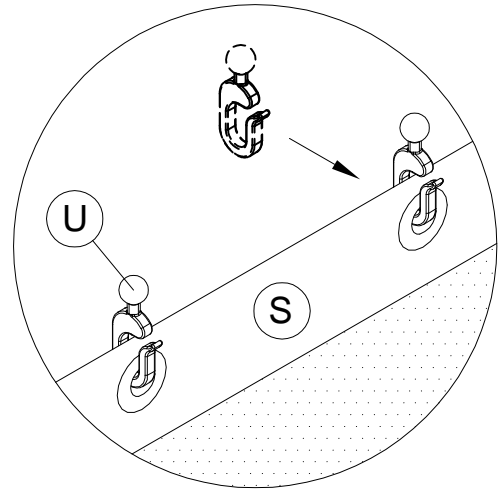
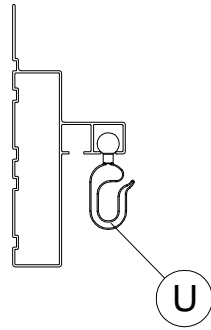
T 4x





<14>

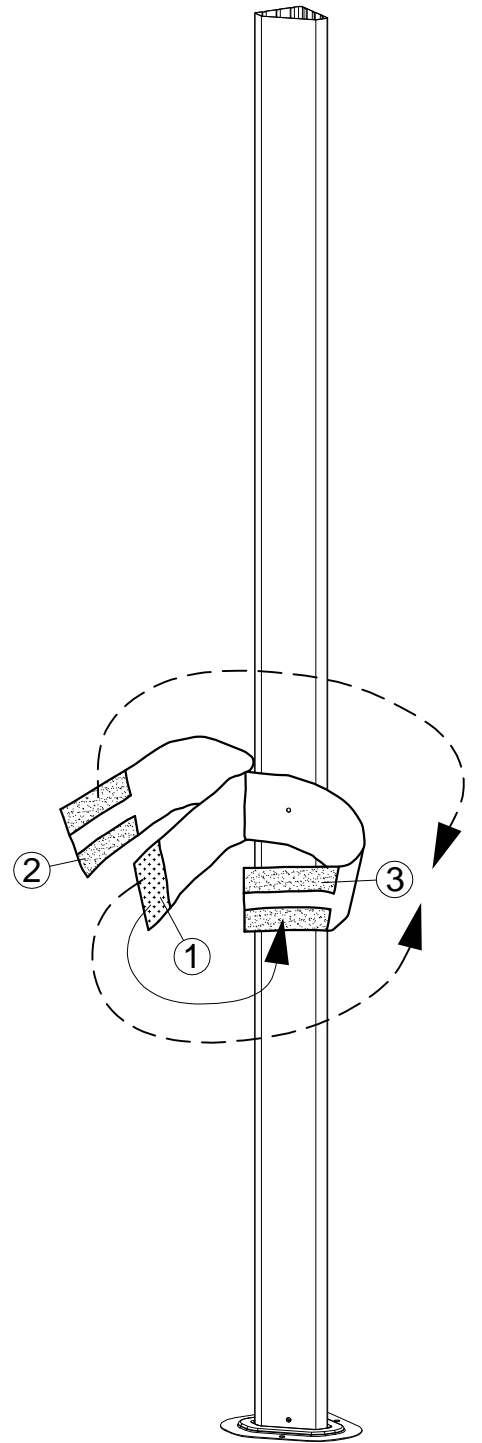
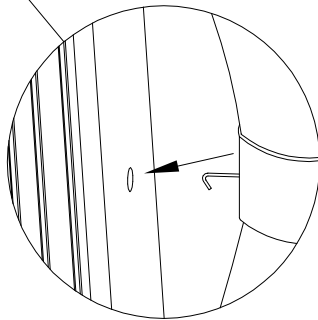
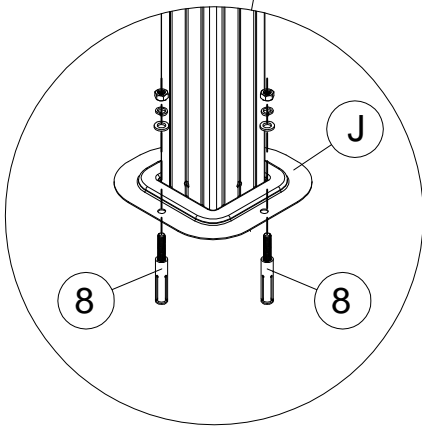
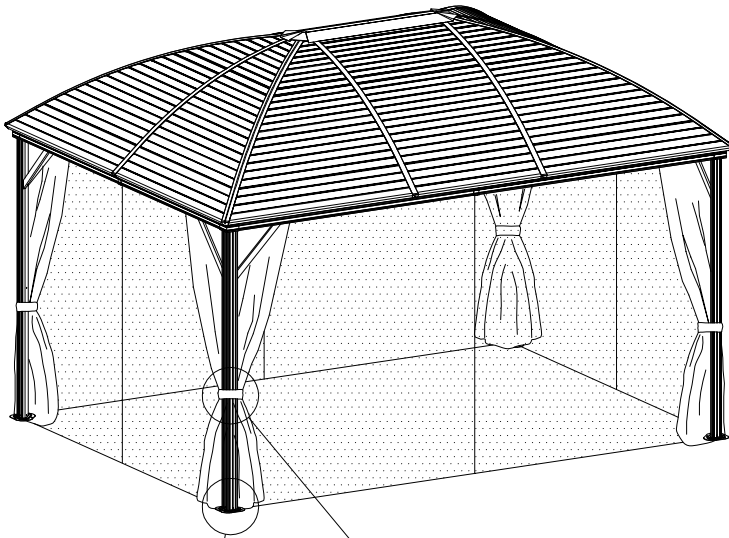
S 4x





<15>

8 12x



Note:

1. 1 stick 2 tie S and T together
2. 1 stick 3 towards back tie T
3. 1 stick 3 towards front tie S

Contact information

Austria



Belgium



Croatia



Denmark



Estonia



Finland



France



Germany



Ireland



Italy



Latvia



Lithuania



Nederland



Norway



Poland



Portugal



Spain



Sweden



Switzerland



UK

