

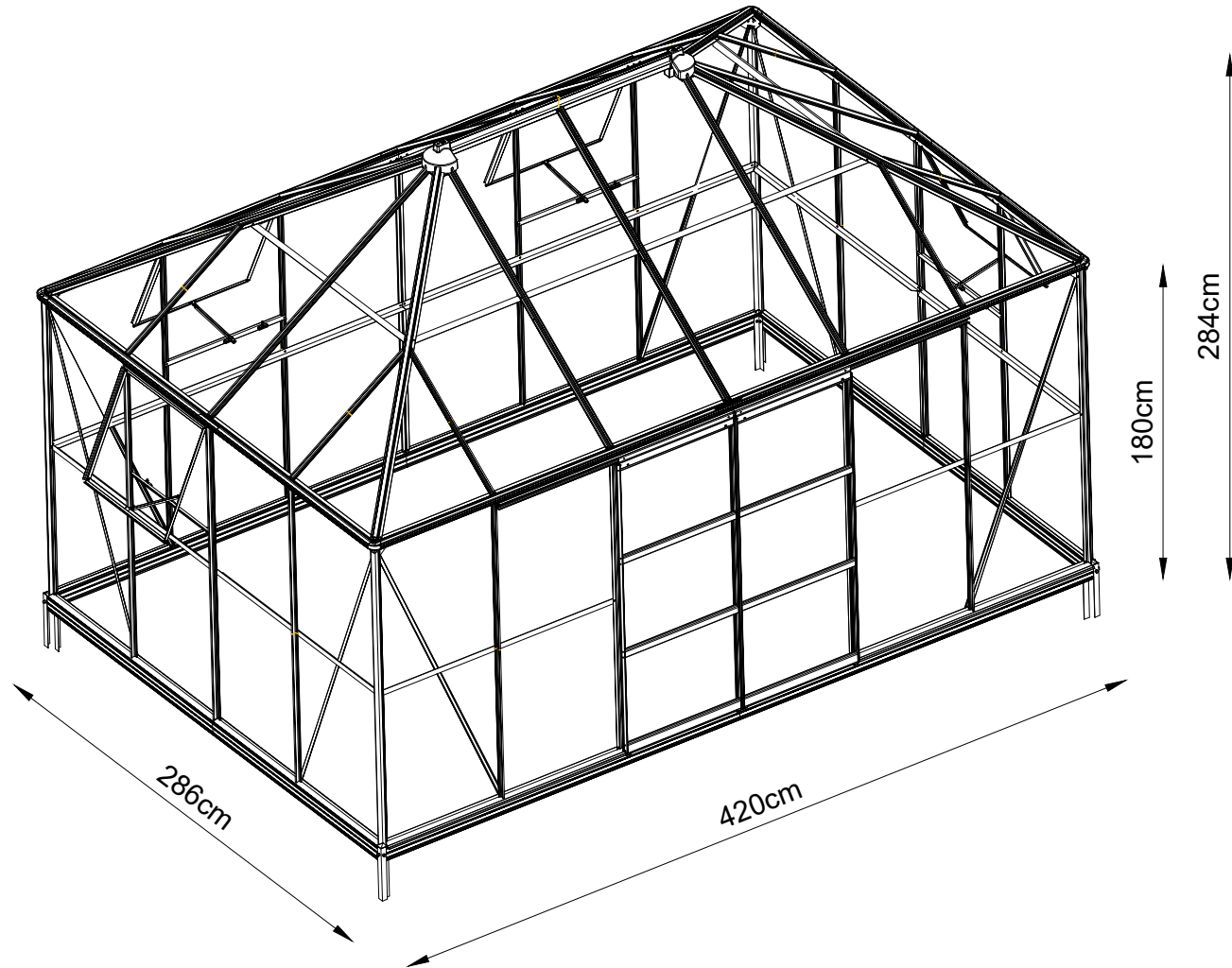
DANCOVER[®]



Manual
for
Orangery/Gazebo
4,2x2,86x2,84m

GREENHOUSE

Assembly instructions



Product Size(LxWxH): 420x286x284cm

Dear customer,

Congratulations on the purchase of your new Greenhouse. Please carefully read the following guide before commencing construction.

Warning: *Before undertaking any work on your greenhouse take all the necessary time to identify any possible hazards including underground and overhead power lines and underground water pipes etc.*

Site Selection.

A sunny, unobstructed, north facing position that is sheltered from strong winds is best to maximize the potential of your greenhouse. Your greenhouse should be placed on a flat and level surface. There are many foundation options that may suit your requirements.

Greenhouses come with internal mounting options to suit most needs.

Access to water and/or electricity should be considered at an early stage and before solid foundations are laid.

It is advisable to have enough access around your new greenhouse for both installation and maintenance.

Setting out.**Securing directly to the soil.**

Assemble the aluminium frame and position (unglazed) onto proposed site prior to digging your post holes.

This will allow you to locate and to mark the exact position of post holes for anchoring.

Once you have marked your anchor positions move the glasshouse frame to allow the holes to be drilled/dug.

A minimum hole depth of 600mm and diameter of 200mm is recommended.

Once the anchor pegs have been attached to the base and corner brackets you can lift the greenhouse above holes and lower to ground level.

Once you are satisfied with the final position and you have ensured the frame is square, level and plumb concrete can be poured into anchor holes.

If preferred all holes can be dug using the internal measurements of the base as a guide. This is a more simple method although it is less exacting.

Securing to a solid base.

Use the base plan supplied in the following instruction manual as a guide to build your solid base whether it be a timber, block or brick nib wall or a concrete slab etc.

Fixings are located internally and are located approximately 55mm inside of the 43mm aluminium base.

(To sit and fix on a wall would require a minimum width of 100mm).

Glazing.

Once the aluminium frame is completed and in position glazing can commence.

Although all glass is toughened safety glass it should always be treated as dangerous and with caution.

Make sure the frame is free from debris before commencing. Beware of wind at all times.

If resting panels during construction a leaning position is recommended over lying flat. Start with the roof panels and work from one end to the other.

To insert the roof panels lean against the guttering and slid up between the glazing bars until they reach the ridge and drop into place

Glaze the walls by leaning panels between the vertical glazing bars, push up and into the rebate located on the underside of the guttering.

Make sure the bottom of the glass panel is sitting securely on the top of the base.

The panel will look square and plumb and be secured by the groove at the bottom and by the rebate at the top.

Insert the rubbers by using your thumb to push and your index finger to guide you. All rubbers are made longer than required and are to be trimmed when finished.









If the rubber extrusion seems dry use soapy water to assist when fitting into the glazing bar. The seals should look flat and straight when complete.


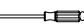
Leave rubbers for an hour or two before cutting to required length as they may stretch then retract when inserting.

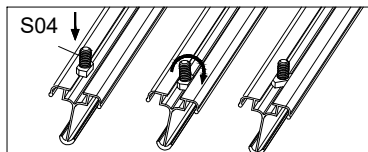
Do not cut rubbers until you have inserted all of them.

Please contact your provider if you require further guidance.

PARTS LIST


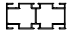
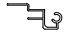



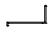
PART	#	mm	Qty.
	J11		4
	J13		8
	J18	1700	2
	J19	128	1
	J20	74*74*46	4
	J21	Ø24*10	2
	J22	29*22*10	4
	J23	185*134*123	2
	J24	69*42*20	2
	J25	1700	74
	Q01		8

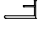

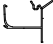

PART	#	mm	Qty.
	T01		1
	T02		1

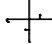
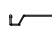

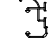
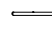

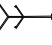

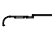
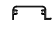
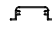
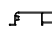
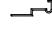
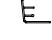


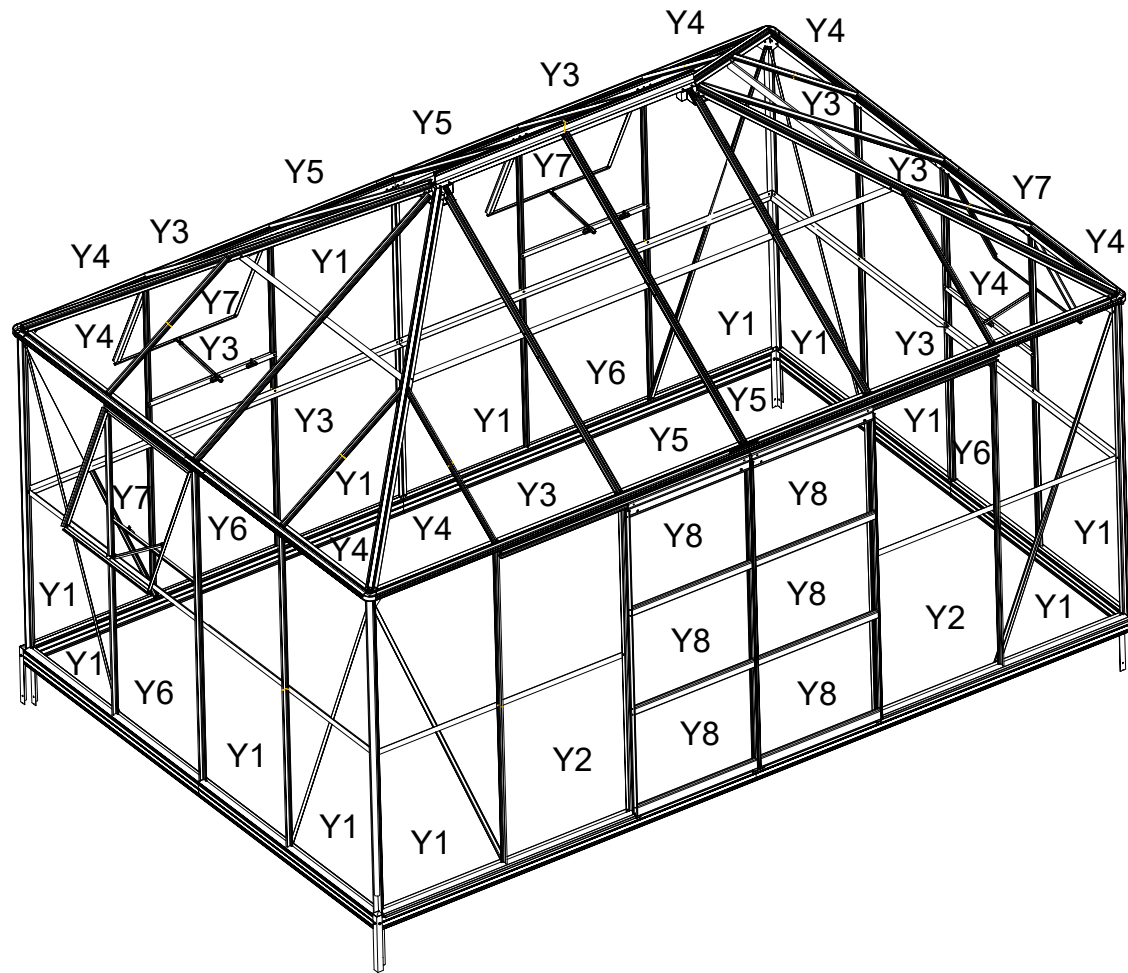
Note:
No need to remove parts if you forget to insert screws S01 into the channel, you can use drive screws S04 in place of the S01.


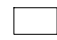

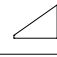
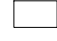
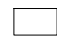

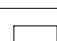
PART	#	mm	Qty.
	S01	M6*12	258
	S03	M5*25	3
	S04	M6*14	10
	S07	M6*60	4
	M01	M6	258
	M02	M5	3
	Z01	Ø4*8	8
	Z02	Ø4*16	48
	Z04	Ø4*16	50
	Z05	Ø4*12	2
	W05		4
	W08A	300	4
	W08B	300	4
	W09		26
	W22	165*137*62	2
	W31	94*46*2	8
	W46		4
	H3	Ø12*Ø6*18	3

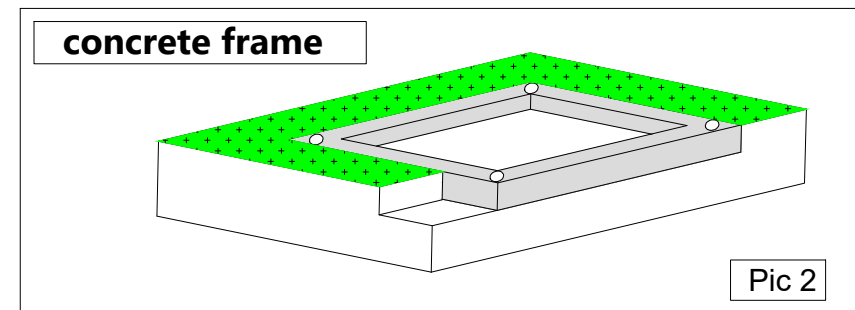
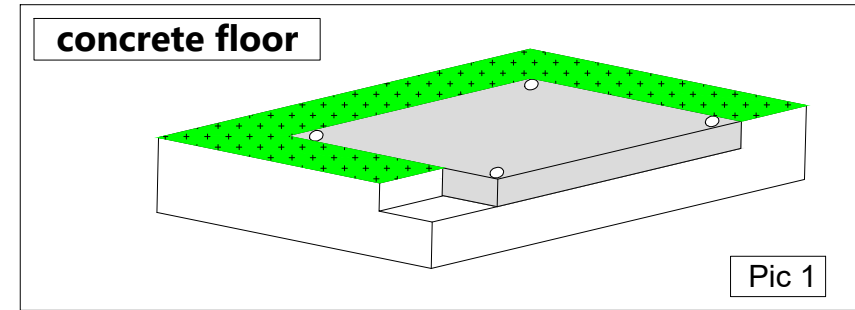
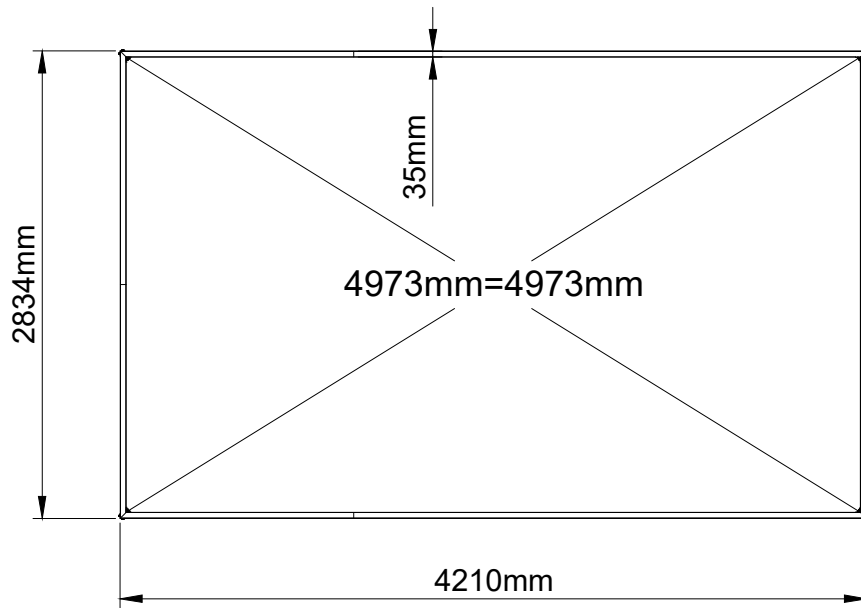
PART	#	mm	Qty.
	L42A	1700	3
	L42B	1612	2
	L42C	1612	4
	L42D	1680	2
	L43A	1415	4
	L43B	2105	4
	L45	671	4
	L46A	647	2
	L46B	660	2
	L47A	1325	1
	L47B	660	2
	L48	150	8
	L49	150	4
	L50A	1380	2
	L50B	1380	2
	L50C	2070	1
	L50D	2070	1

PART	#	mm	Qty.
	L18A	710	2
	L18B	710	2
	L22A	1392	1
	L22B	1392	1
	L22C	1376	2
	L22D	1376	2
	L22E	1303	2
	L22F	2066	1
	L22G	2066	1
	L22H	1341	2
	L22I	1341	2
	L40A	2070	1
	L40B	2070	1
	L40C	1380	2
	L40D	1380	2
	L40E	2070	1
	L40F	2070	1
	L41	2123	4

PART	#	mm	Qty.
	L01	1700	4
	L02A	2070	1
	L02B	2070	1
	L03	1700	2
	L05A	1380	1
	L05B	1380	1
	L06	1783	8
	L08A	1700	10
	L08B	838	4
	L08C	838	4
	L10	1436	1
	L11	1652	4
	L12	674	2
	L13A	674	2
	L13B	674	4
	L14	674	2
	L16	671	4
	L17	600	8



Part	#	mm	Qty
	Y1	681x1697	12
	Y2	700x1697	2
	Y3	681x1651	8
	Y4	675x835	8
	Y5	681x1691	4
	Y6	681x1058	4
	Y7	669x626	4
	Y8	665x495	6



You don't want to grow in your greenhouse

Pic 1 (concrete floor)

Once the concrete base is installed, place it where you want to install the greenhouse.
 Make a concrete floor a little bigger than your greenhouse.
 Don't forget to dig 4 holes for the 4 of W09.

You want to grow in your greenhouse.

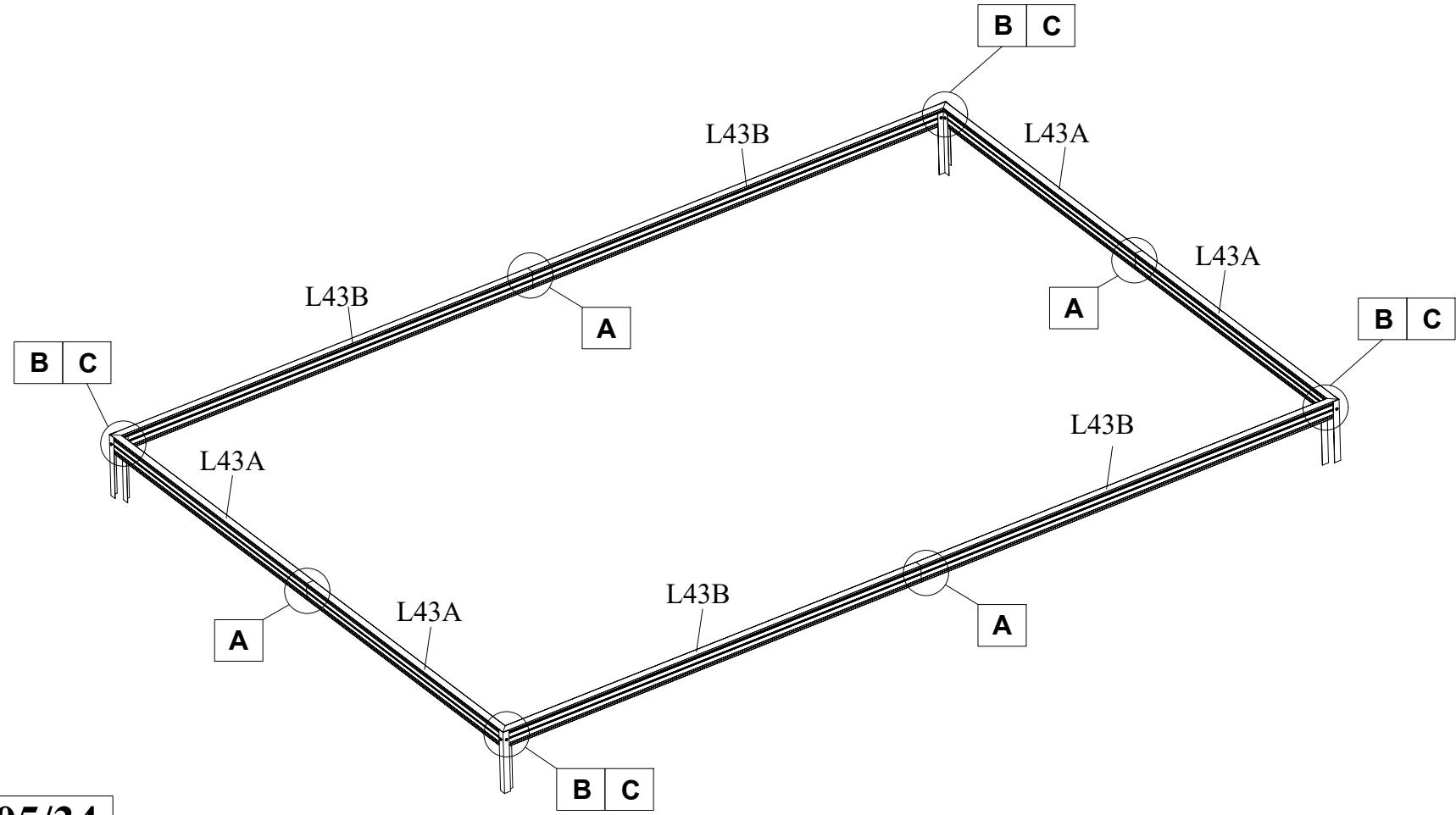
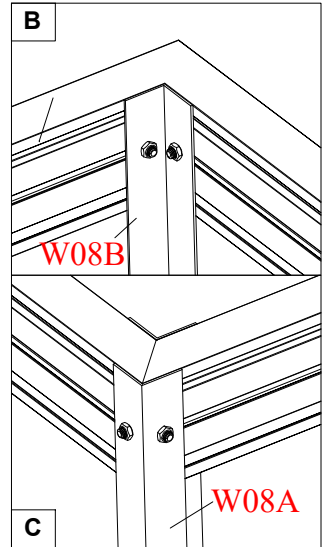
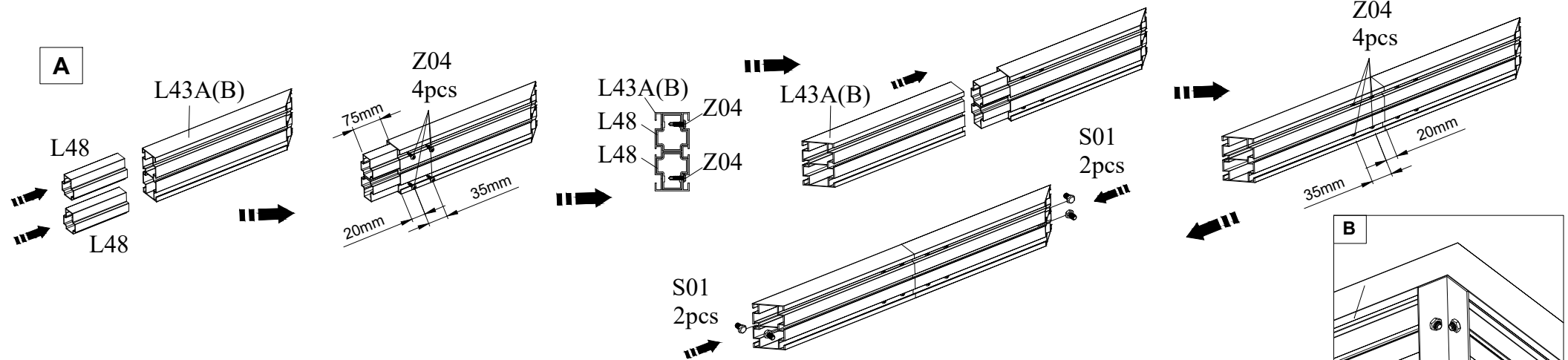
Option 1: Concrete frame (Pic. 2)

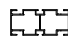
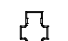




Once the concrete frame is installed, put it where you want to install the greenhouse.
 Make a concrete frame around the entire greenhouse (including the door access) on which the base will be placed, remember to dig 4 holes for the 4 of W09.
 You install the structure of the greenhouse, it will be placed on the base, then you install the glass.

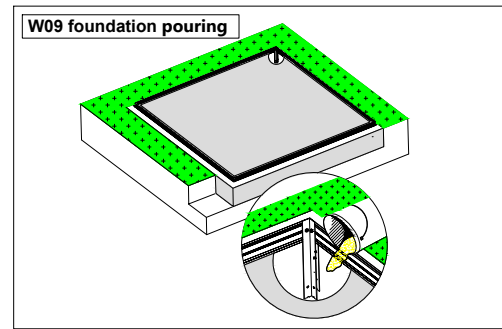
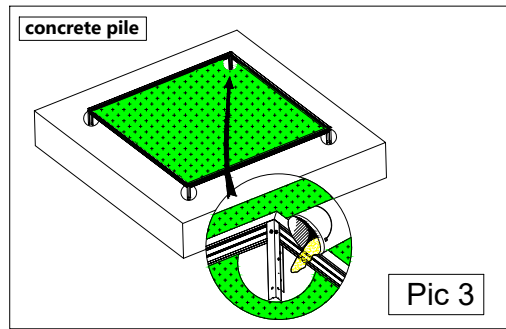
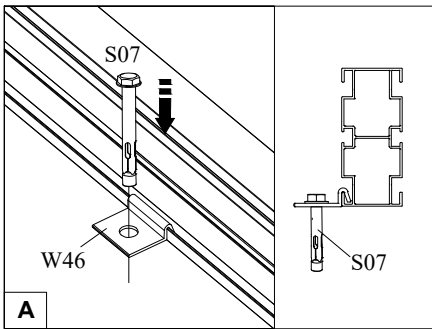
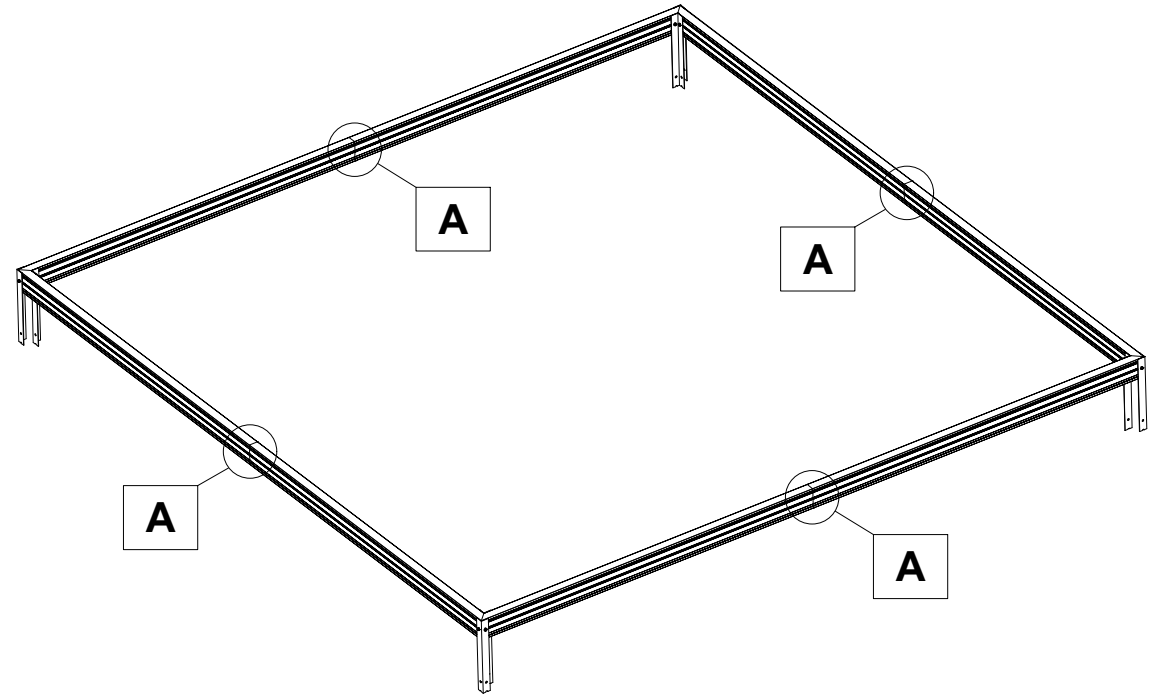
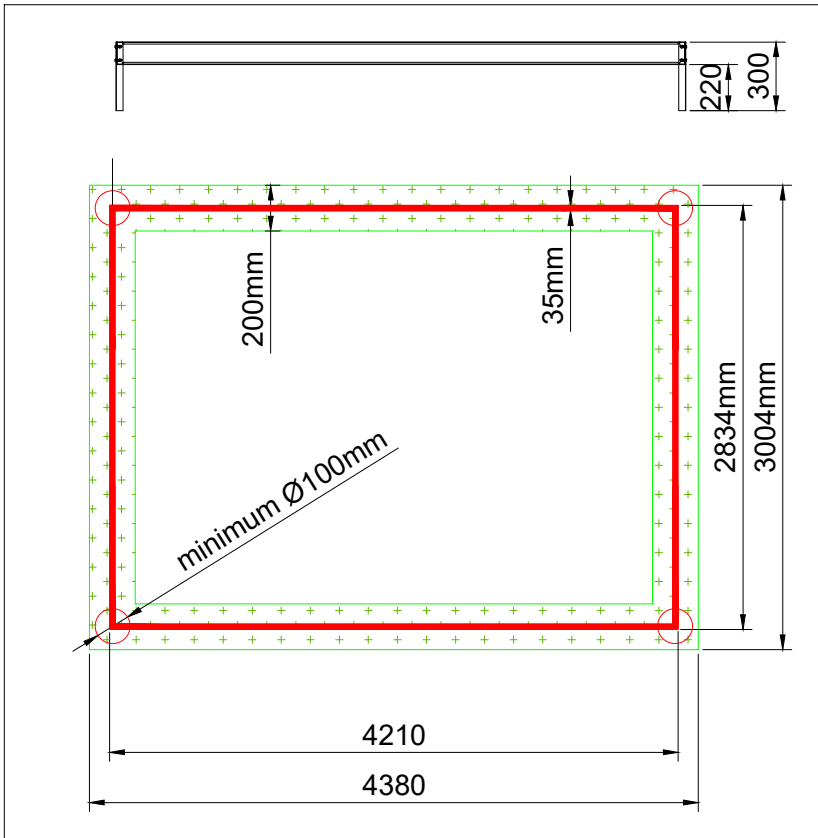
Option 2: Concrete Pile (Pic. 3 on page 6)


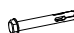
Once the base is installed, put it where you want to install the greenhouse.
 Dig a hole about 20 cm deep in each of the 4 of W09 and pour concrete into it. (The base must be placed on a flat ground).
 You install the structure of the greenhouse, it will be placed on the base, then you install the glass.

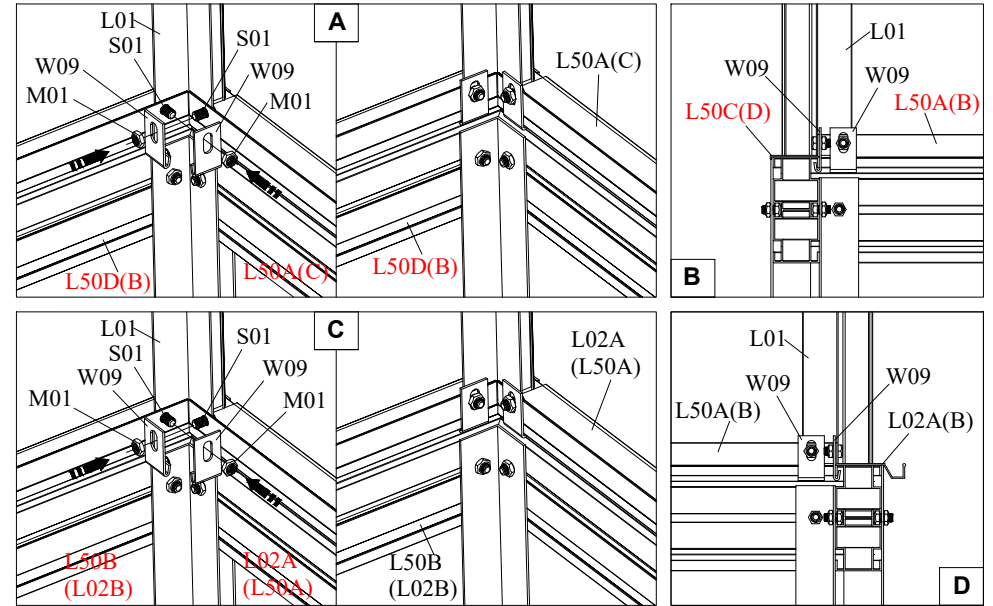
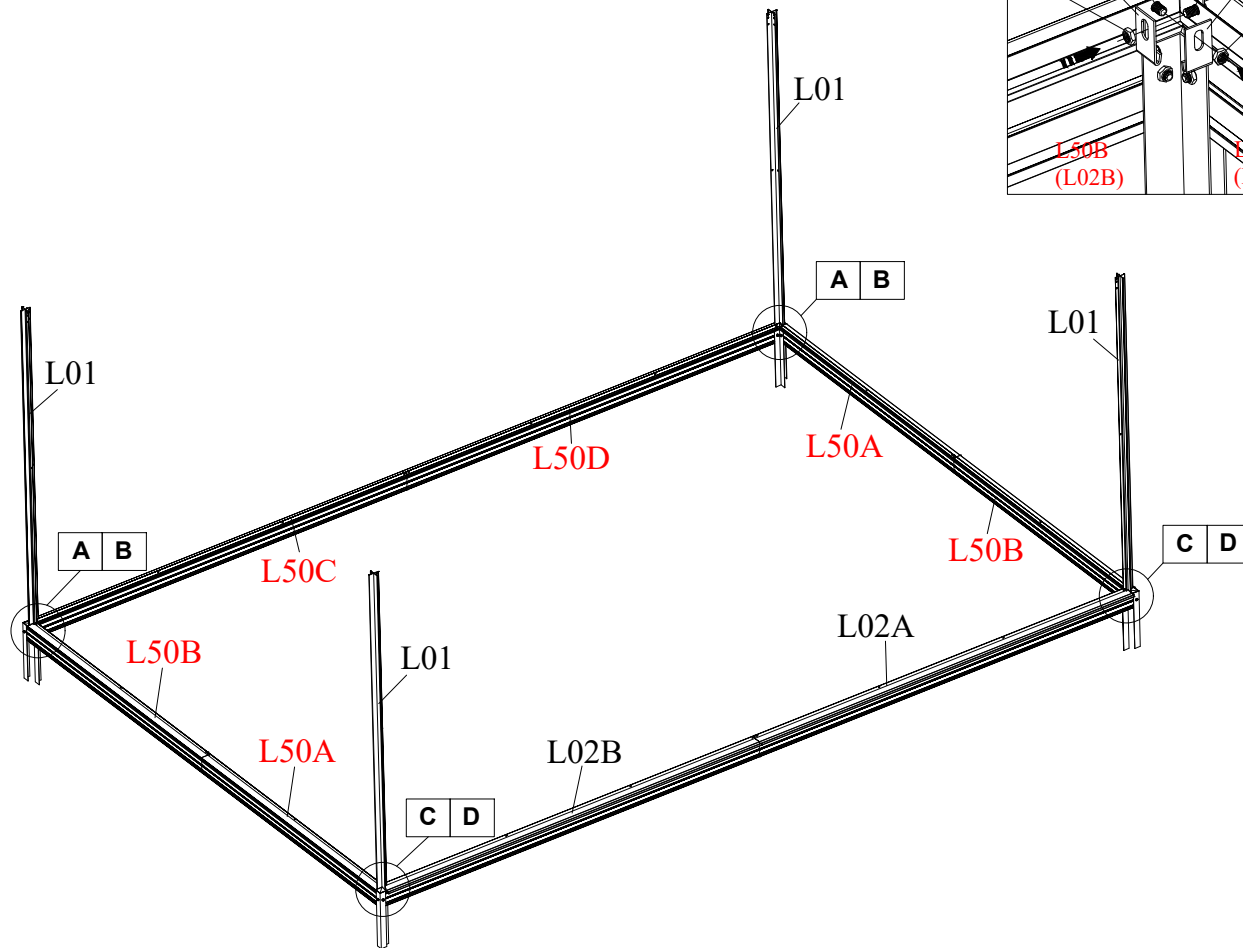
Note : After the greenhouse is completely installed, then pour concrete into the W09 hole to fix it.



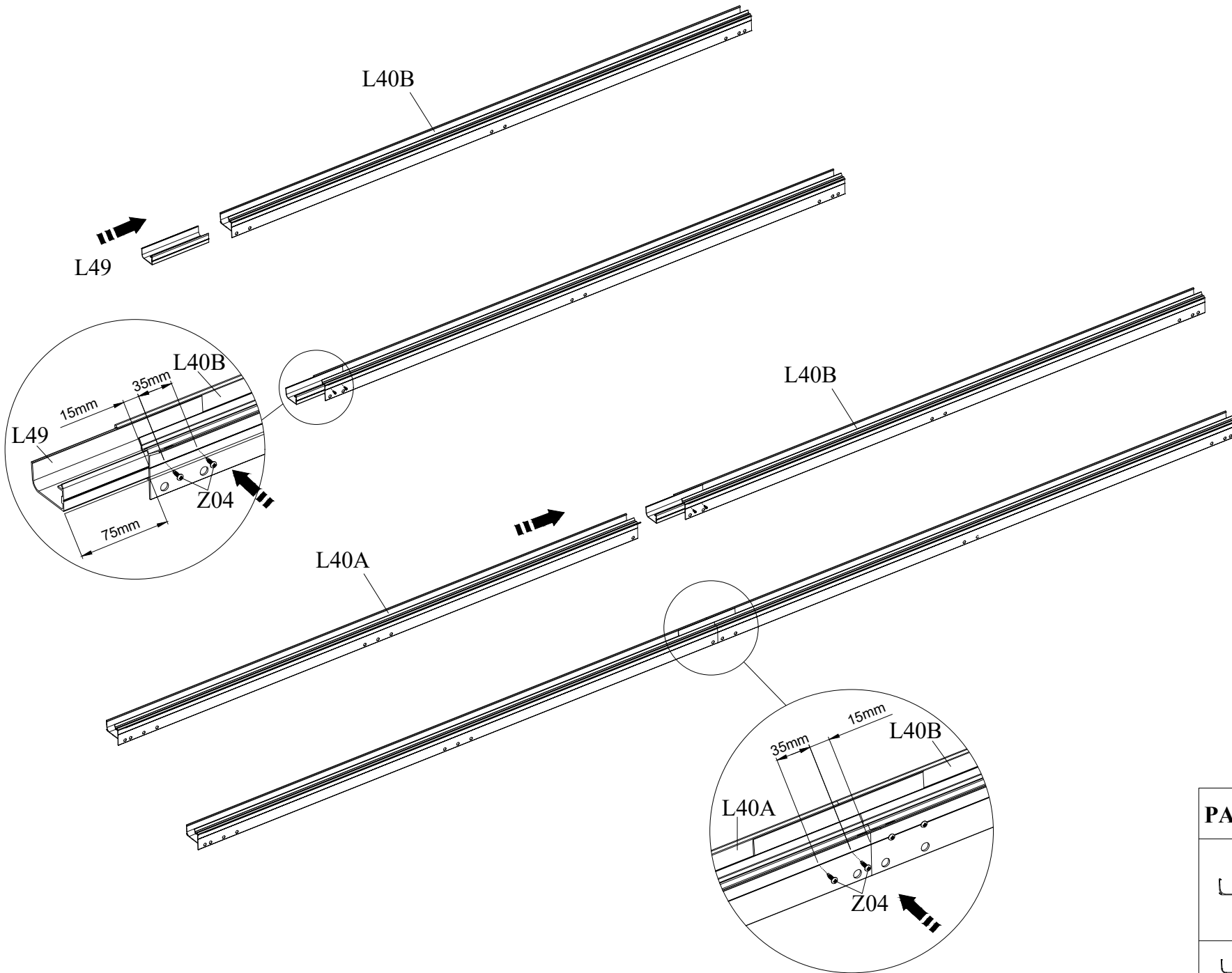
PART	#	mm	Qty.
	L43A	1415	4
	L43B	2105	4
	L48	150	8
	W08A	300	4
	W08B	300	4
	S01	M6*12	8
	M01	M6	8
	Z04	Ø4*12	32






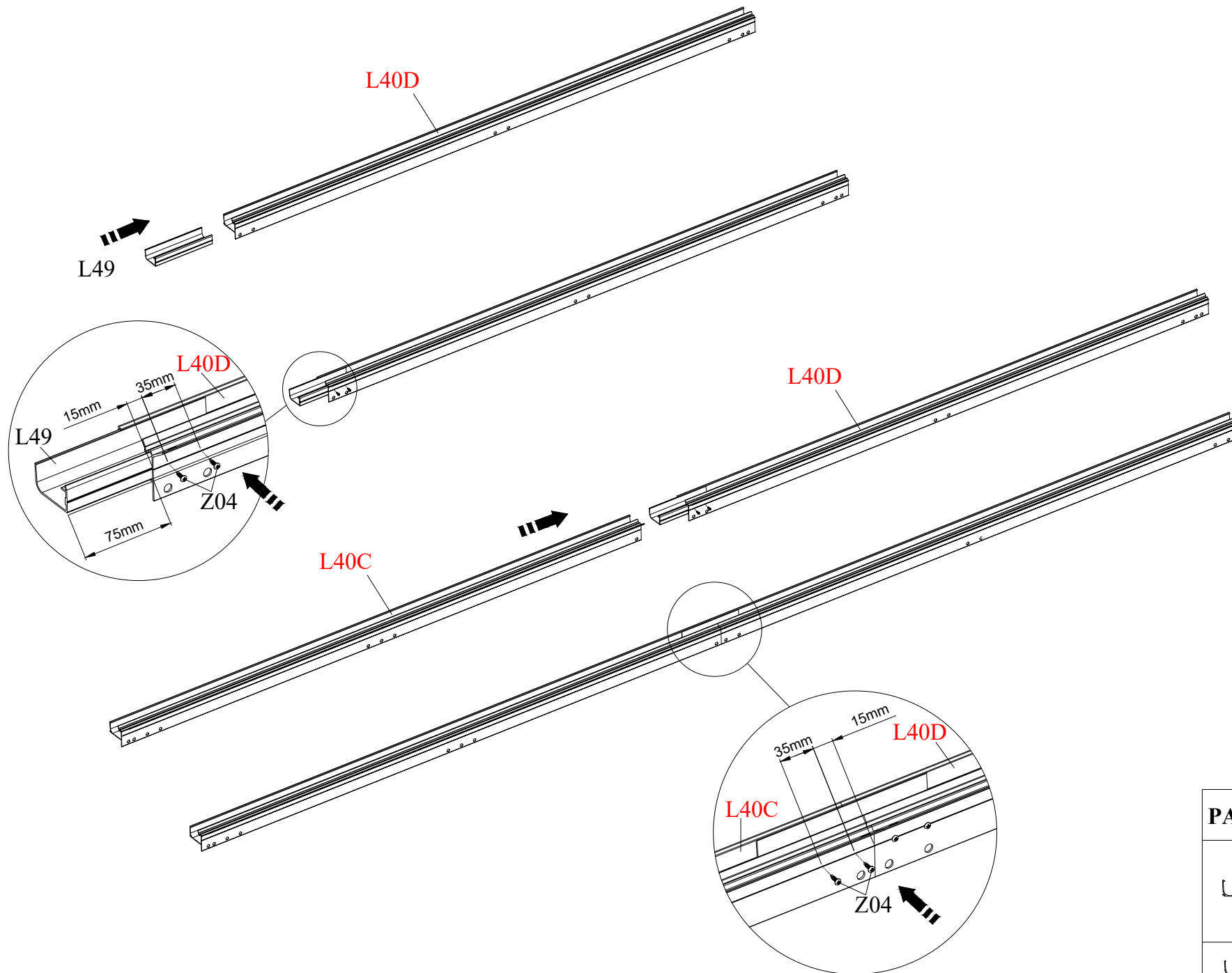
PART	#	mm	Qty.
	W46		4
	S07	M6*60	4






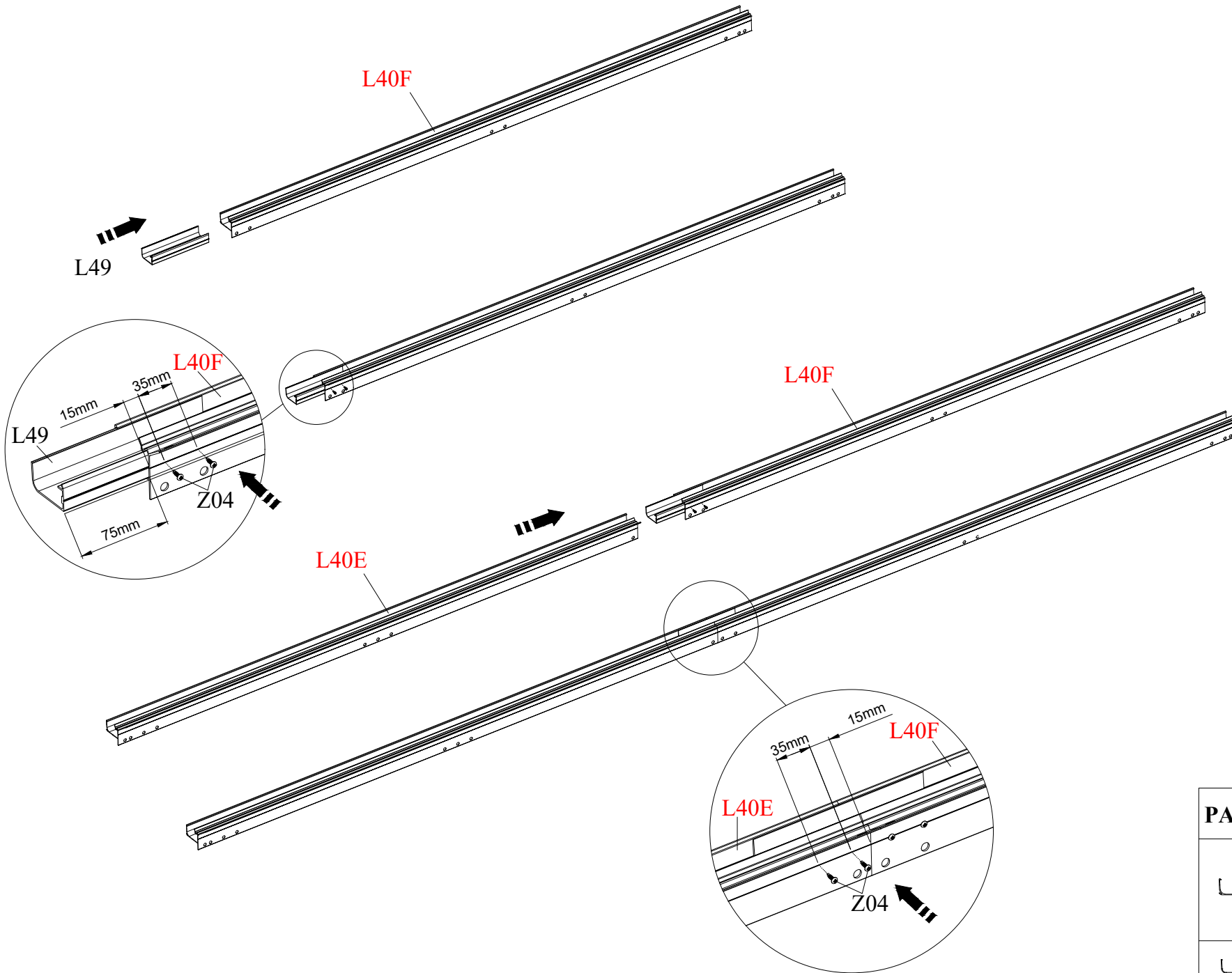
PART	#	mm	Qty.
	L01	1700	4
	L02A	2070	1
	L02B	2070	1
	L50A	1380	2
	L50B	1380	2
	L50C	2070	1
	L50D	2070	1
	W09		8
	S01	M6*12	8
	M01	M6	8






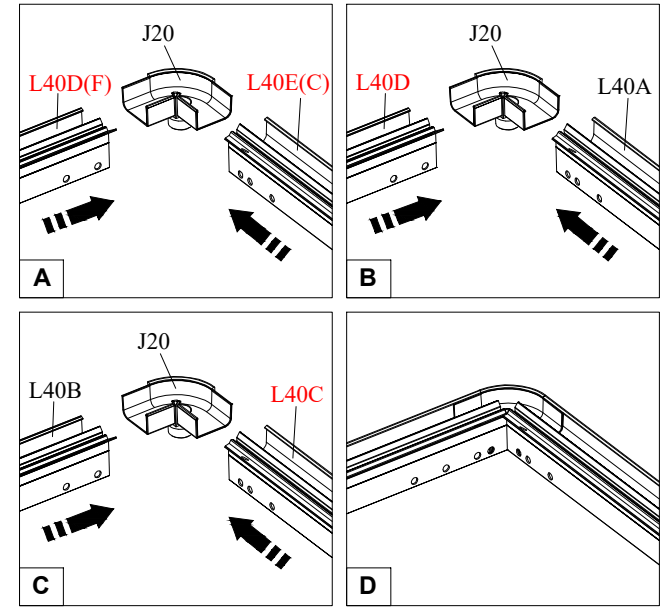
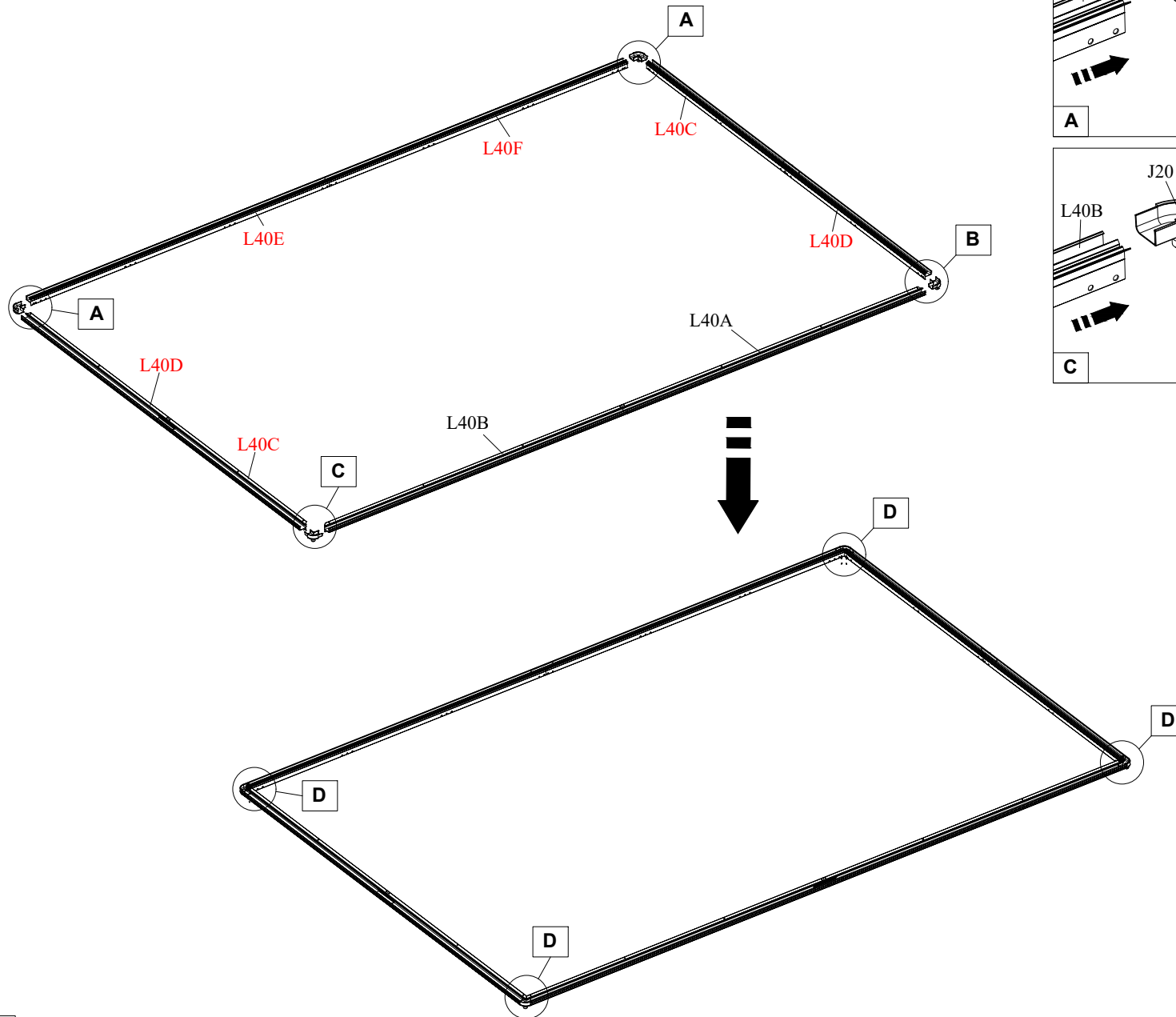
PART	#	mm	Qty.
	L40A	2070	1
	L40B	2070	1
	L49	150	1
	Z04	Ø4*16	4




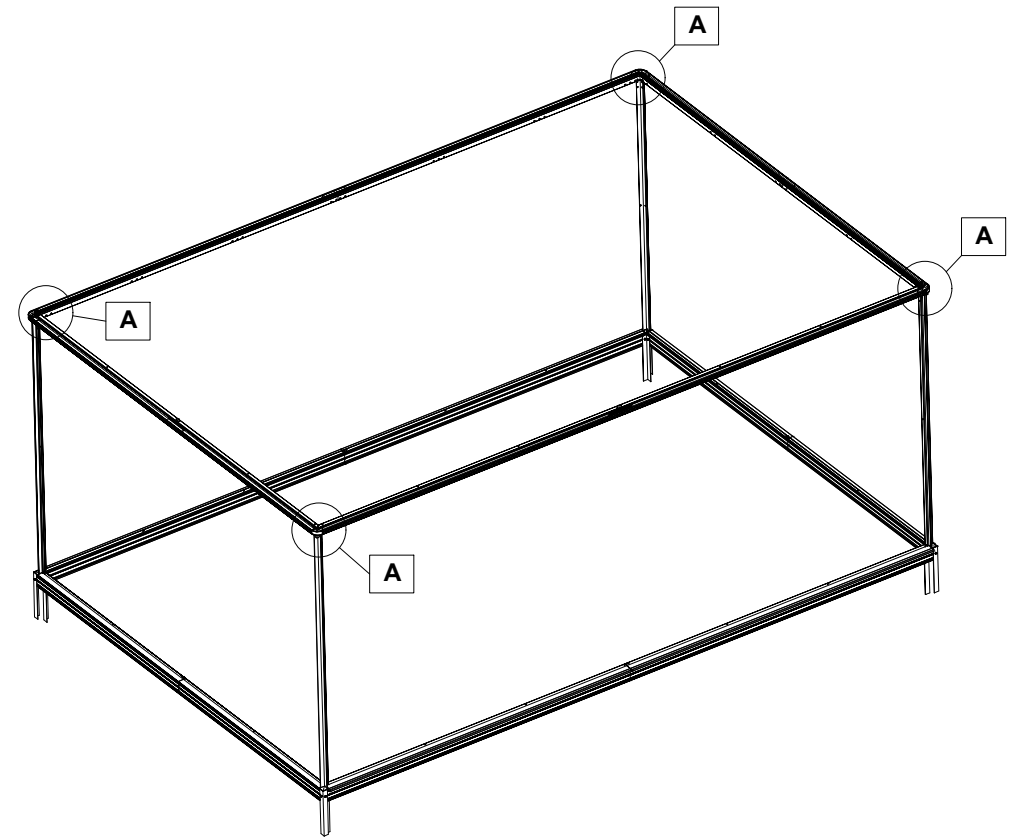
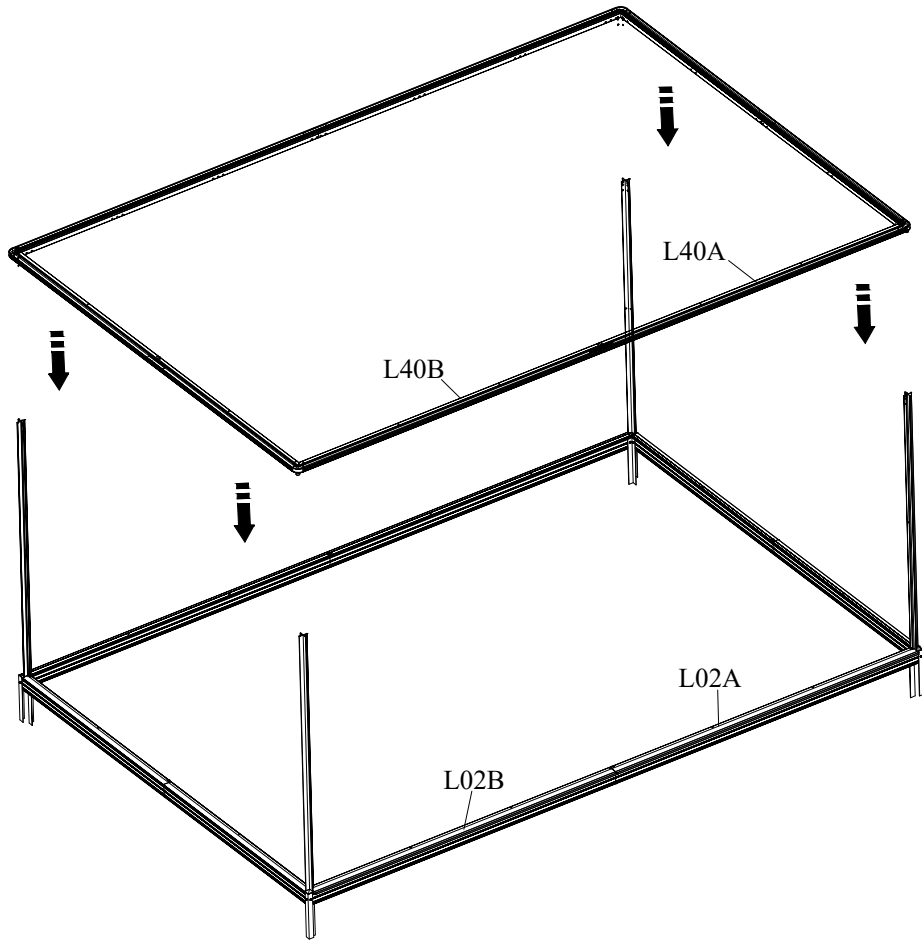
PART	#	mm	Qty.
	L40C	1380	2
	L40D	1380	2
	L49	150	2
	Z04	Ø4*16	8



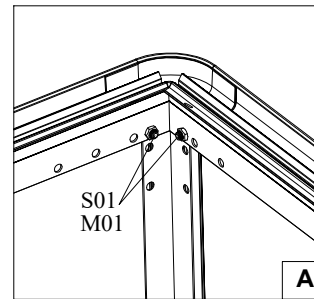
PART	#	mm	Qty.
	L40E	2070	1
	L40F	2070	1
	L49	150	1
	Z04	Ø4*16	4





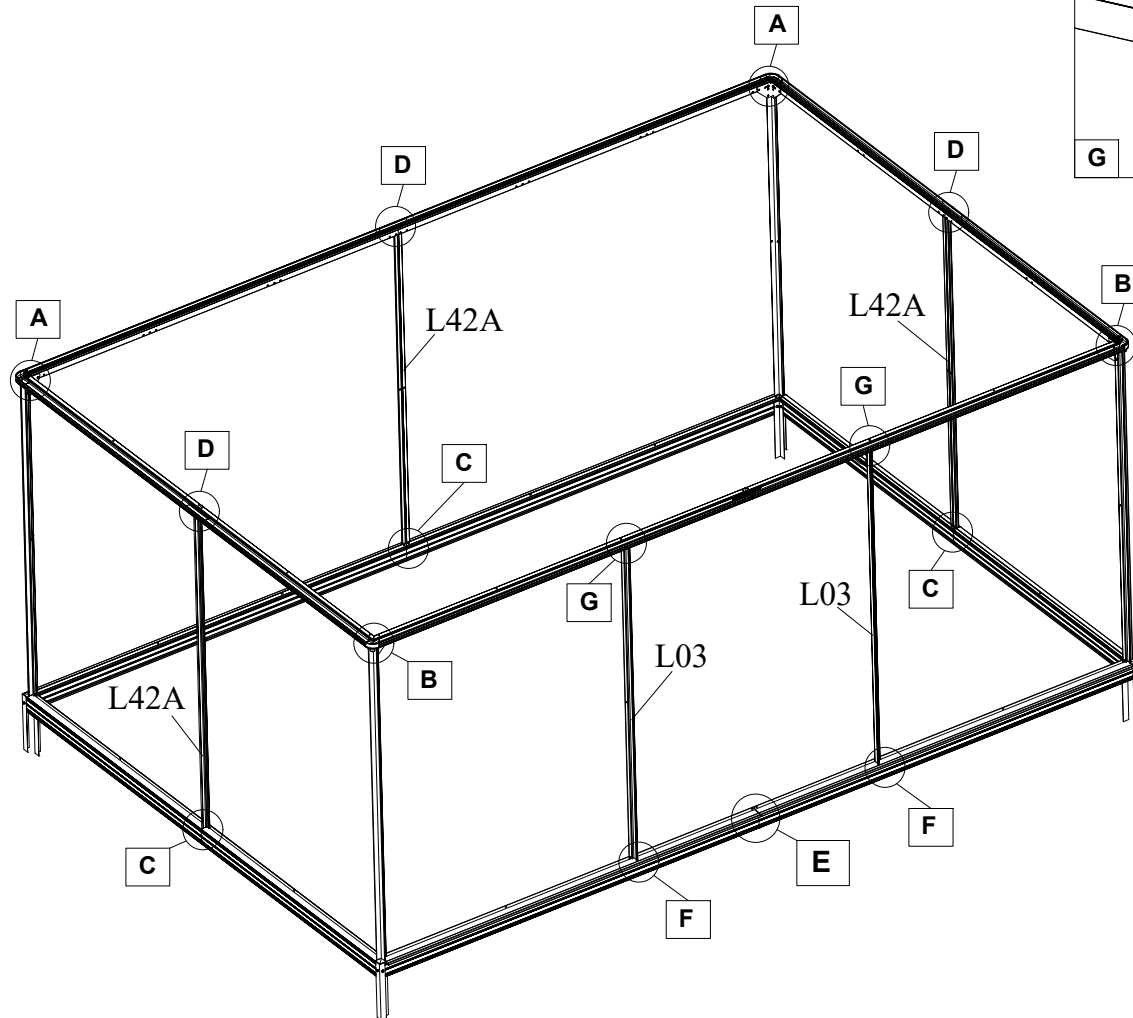
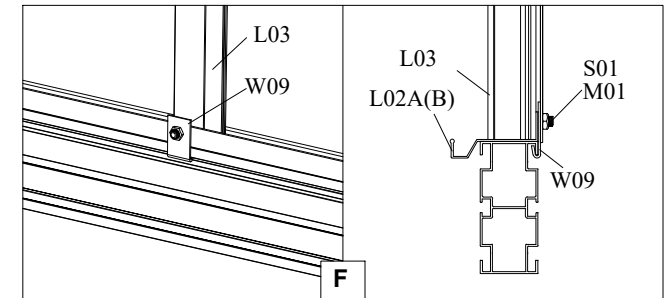
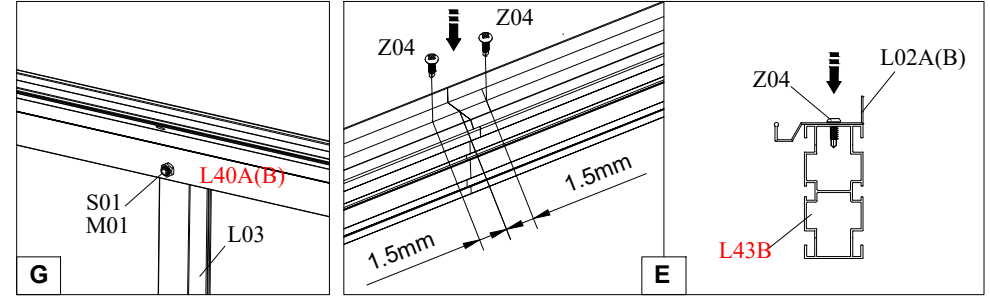
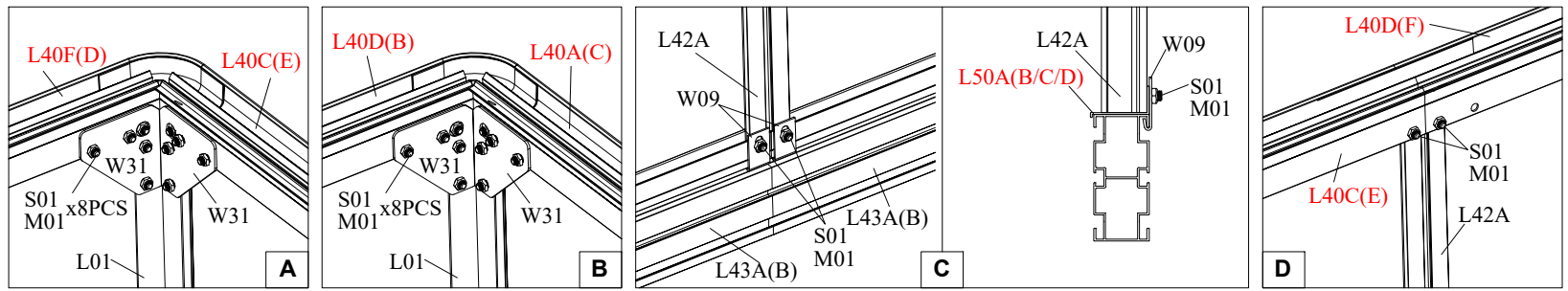
PART	#	mm	Qty.
	J20	74*74*46	4



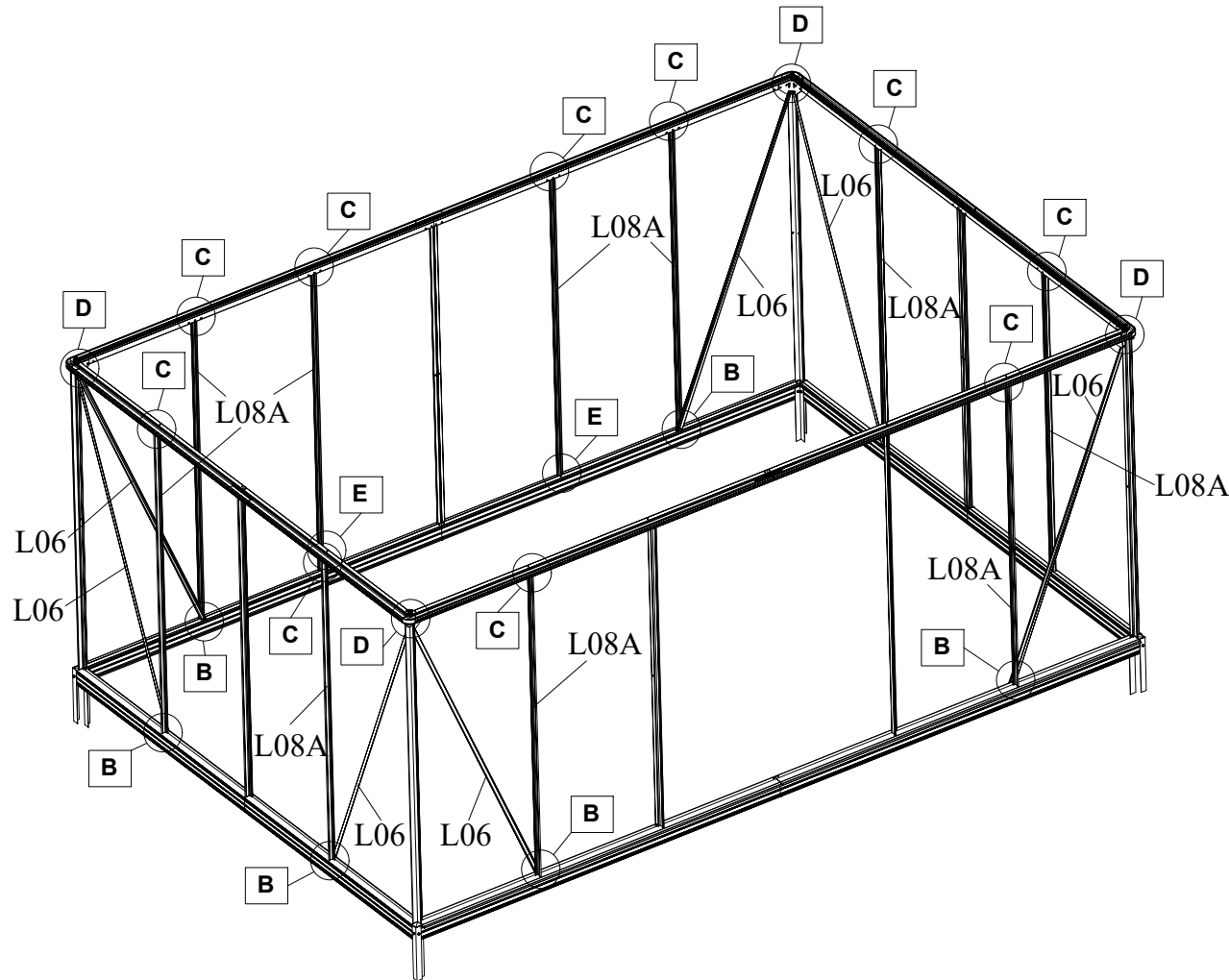
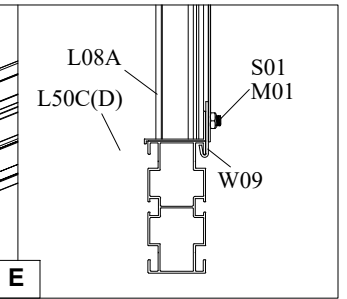
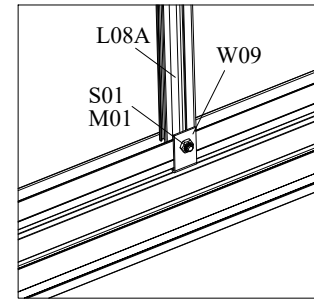
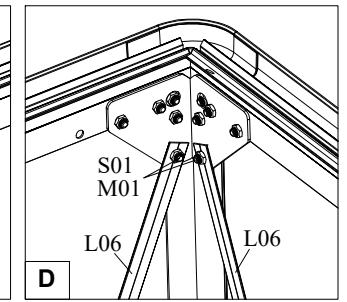
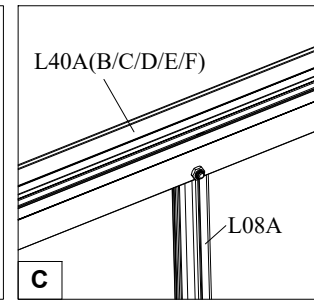
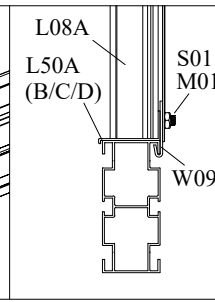
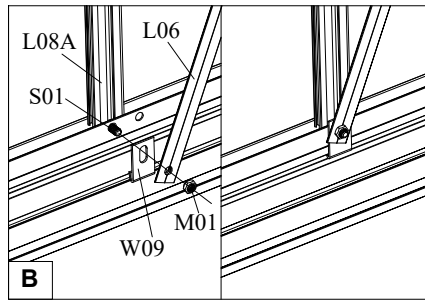
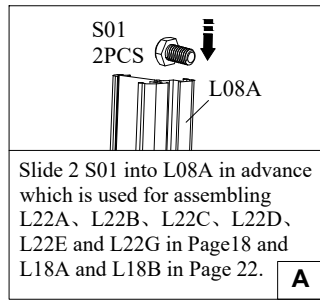
Note: L40A/L40B
and L02A/L02B
should be in the
same direction.



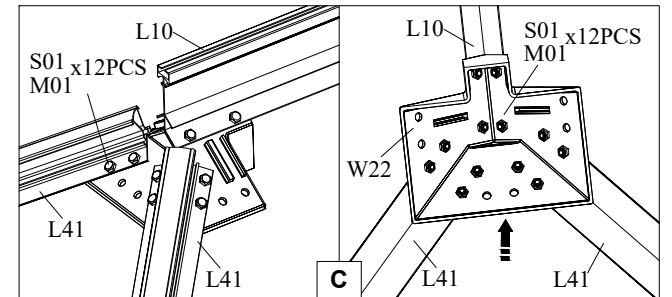
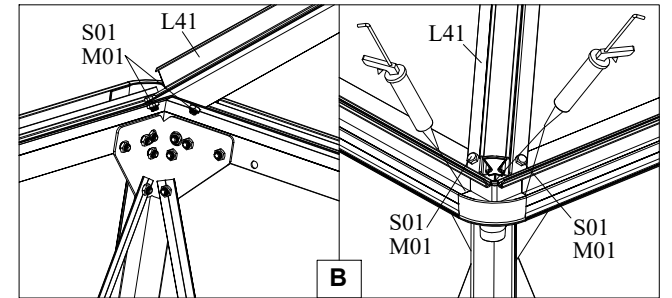
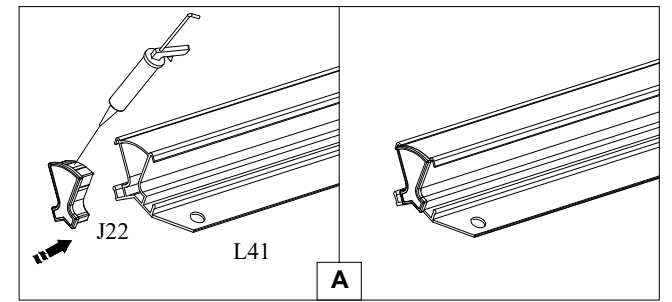
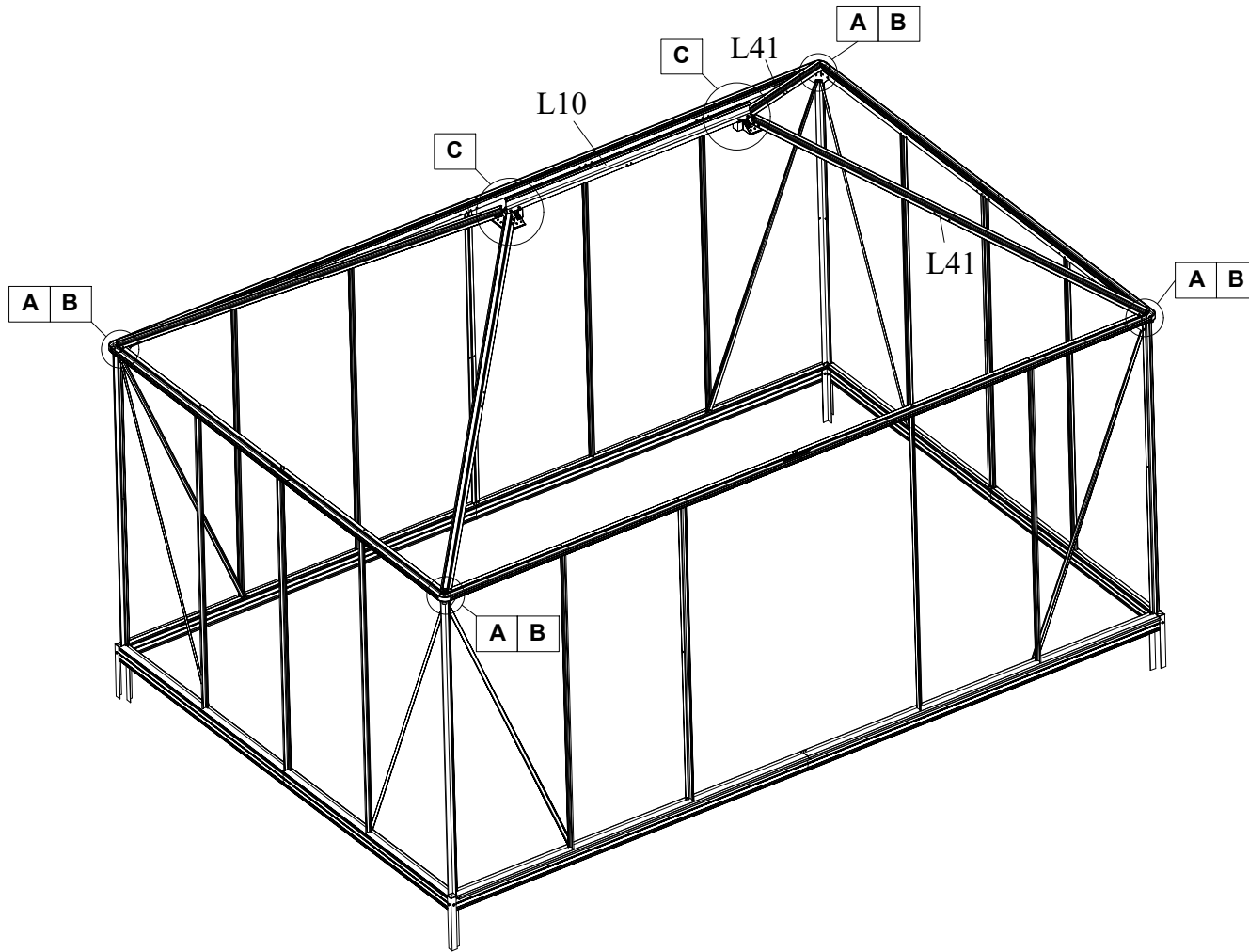
PART	#	mm	Qty.
	S01	M6*12	8
	M01	M6	8

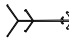







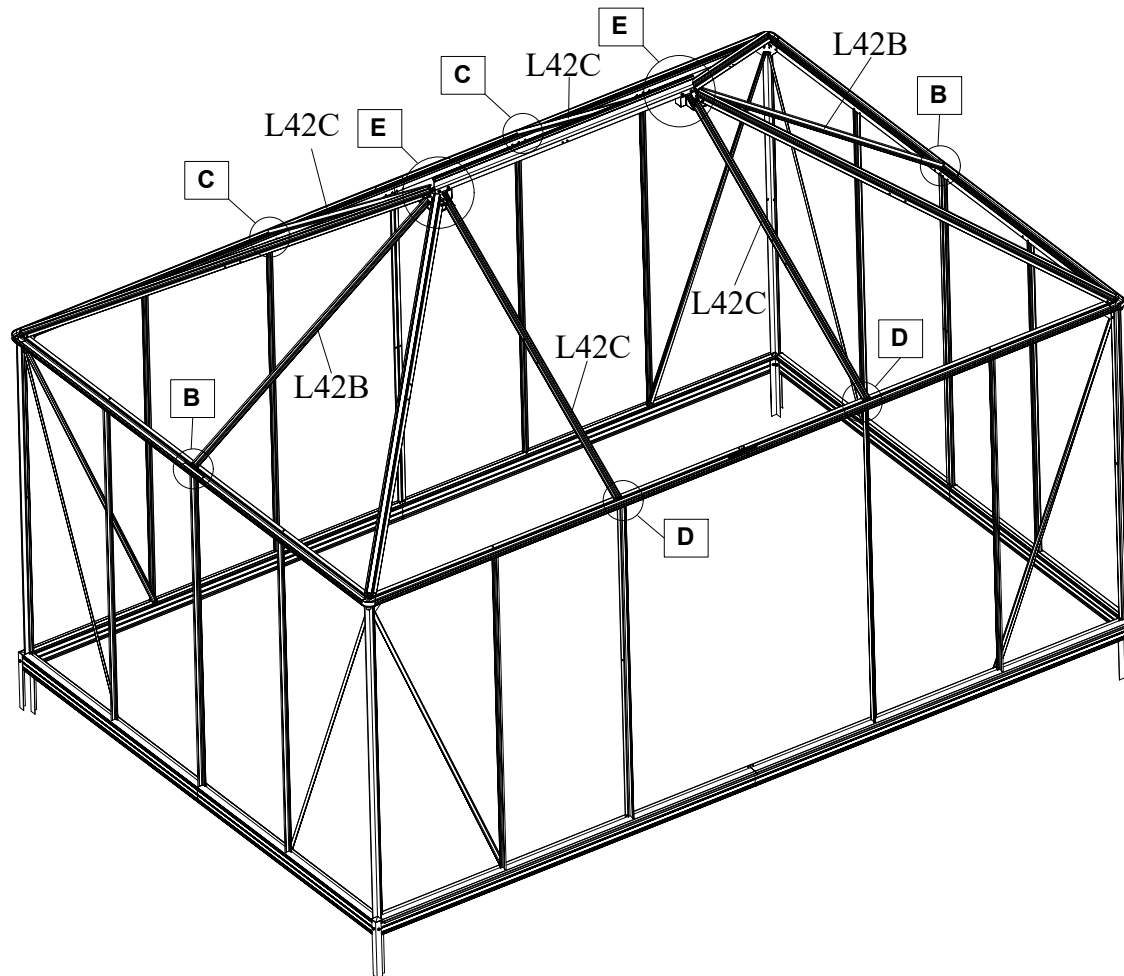
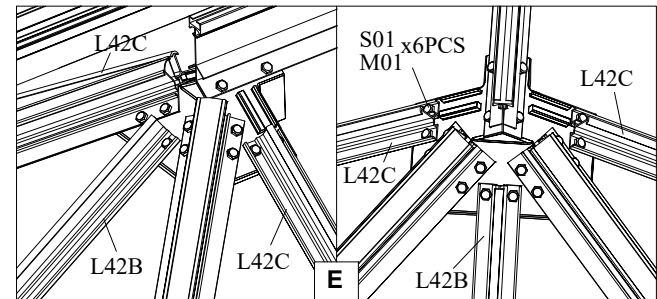
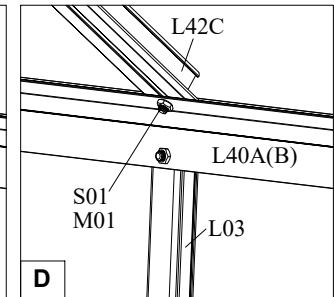
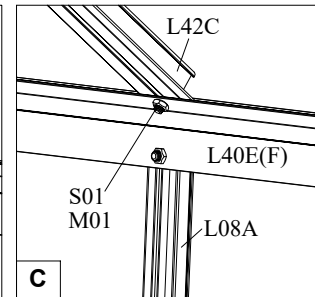
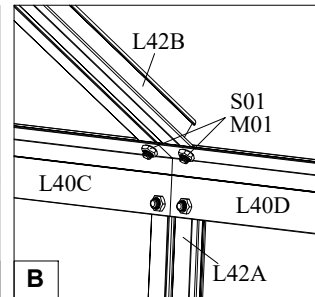
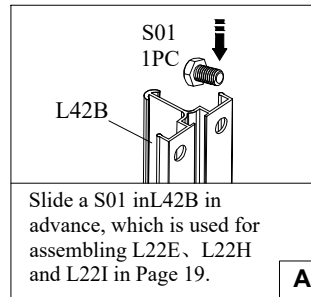
PART	#	mm	Qty.
	L03	1700	2
	L42A	1700	3
	W09		8
	W31	94*46*2	8
	S01	M6*12	48
	M01	M6	48
	Z04	Ø4*16	2






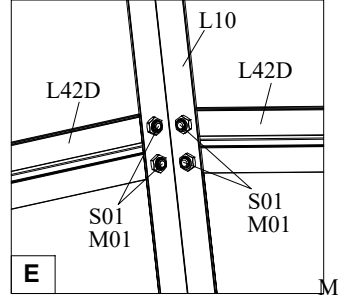
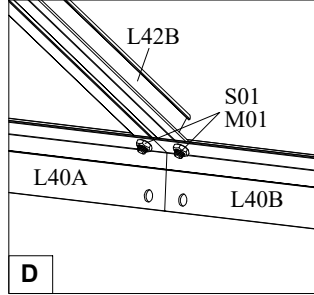
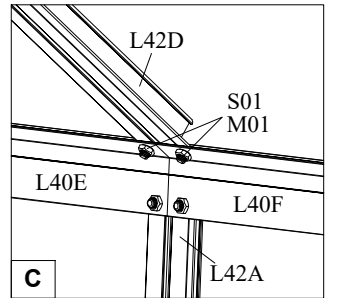
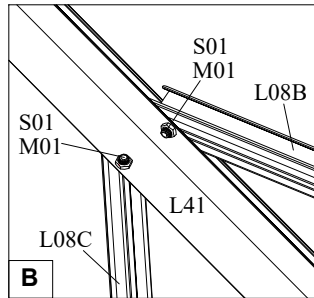
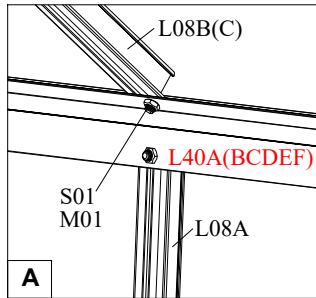
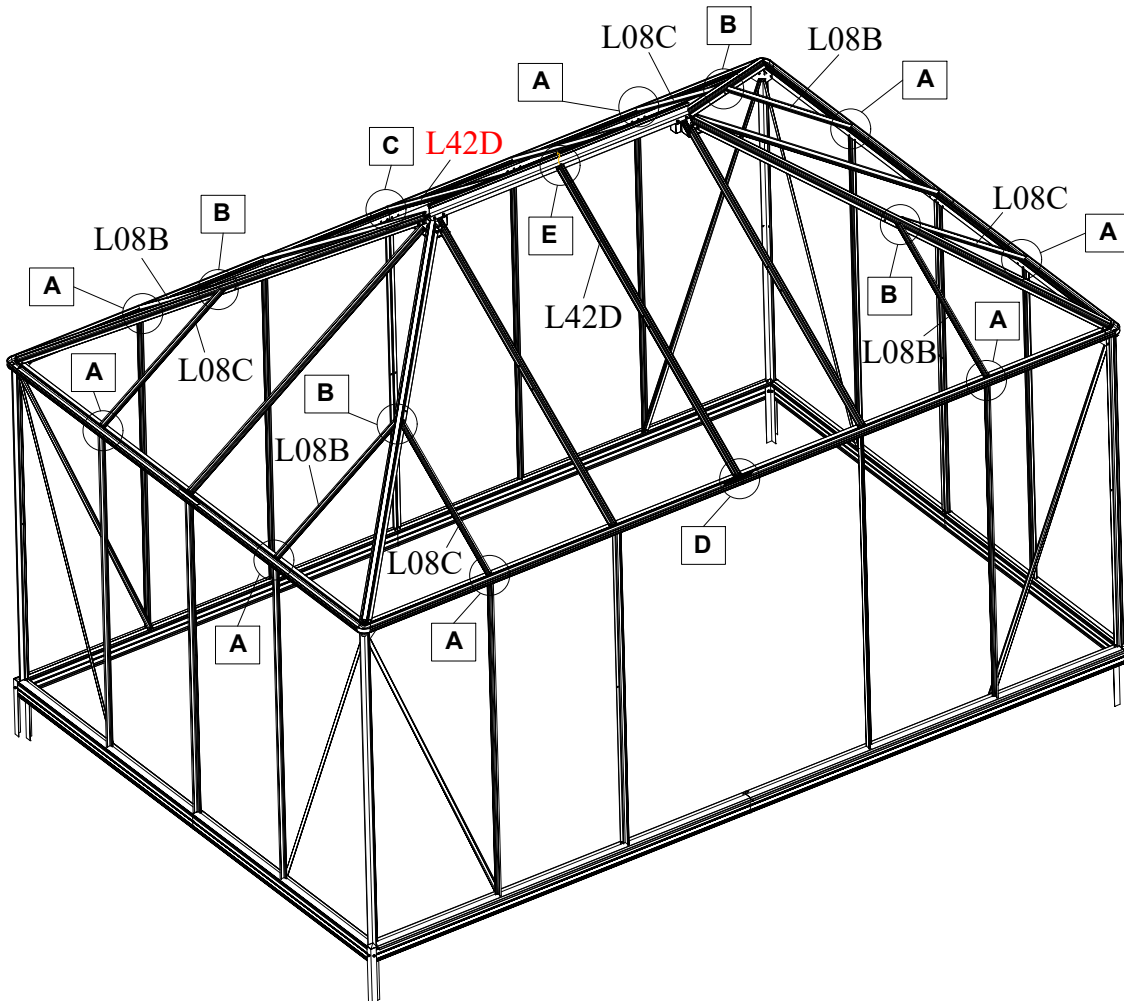
PART	#	mm	Qty.
	L06	1783	8
	L08A	1700	10
	W09		10
	S01	M6*12	40
	M01	M6	20







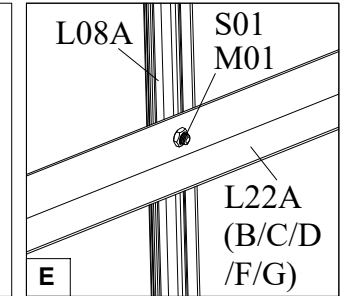
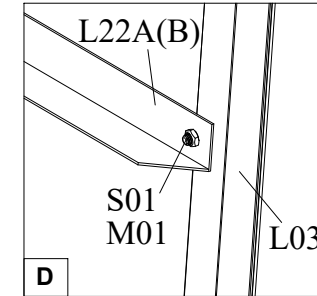
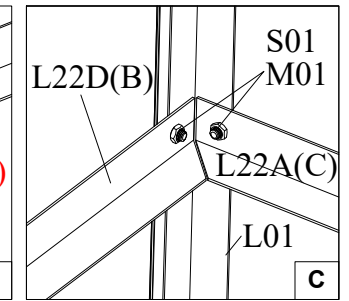
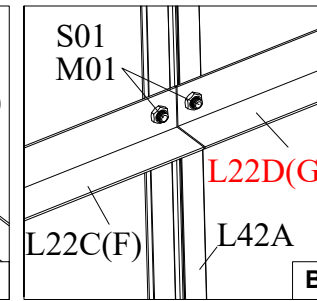
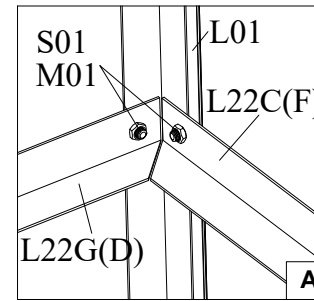
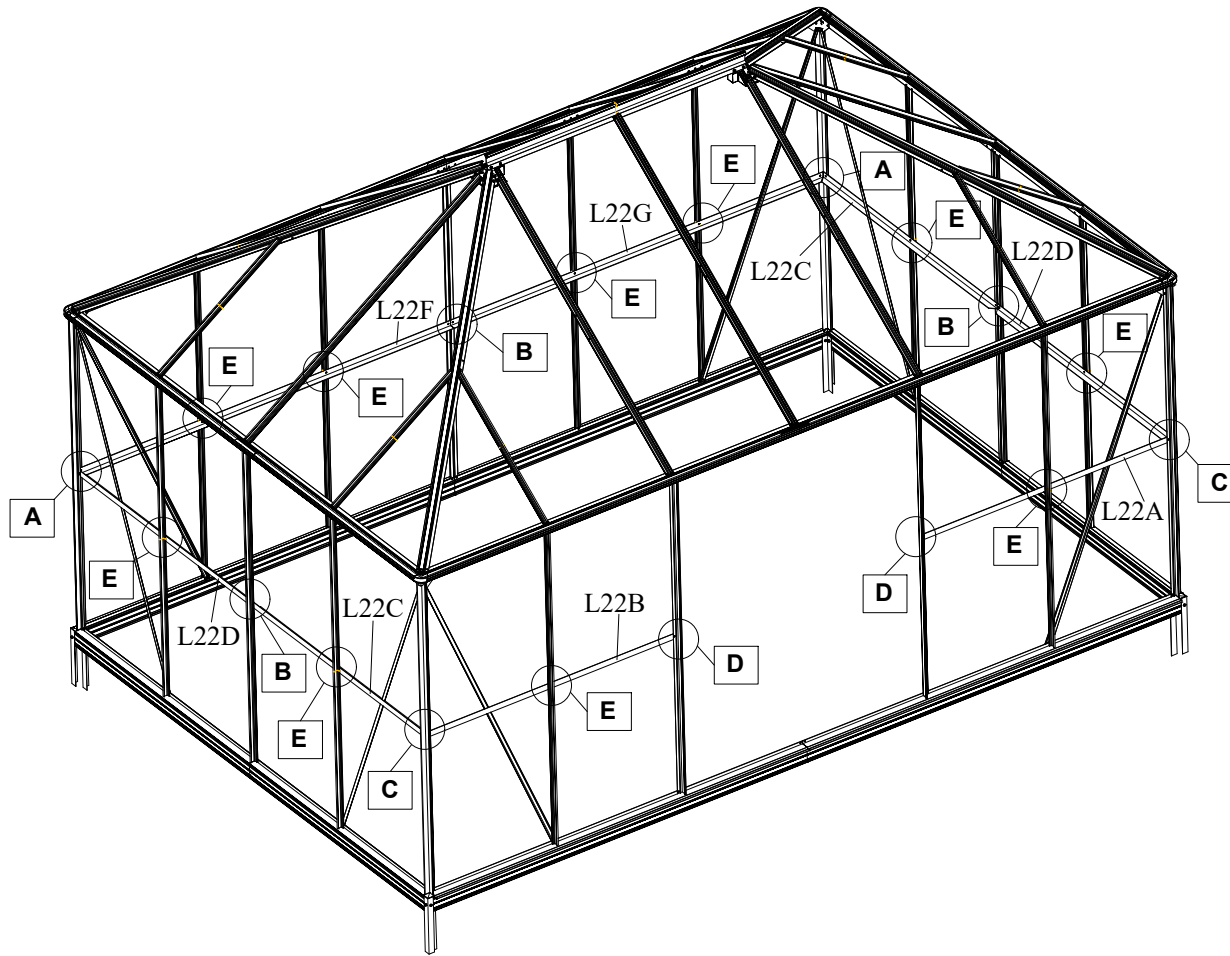
PART	#	mm	Qty.
	L10	1436	1
	L41	2123	4
	J22	29*22*10	4
	W22	165*137*62	2
	S01	M6*12	32
	M01	M6	24





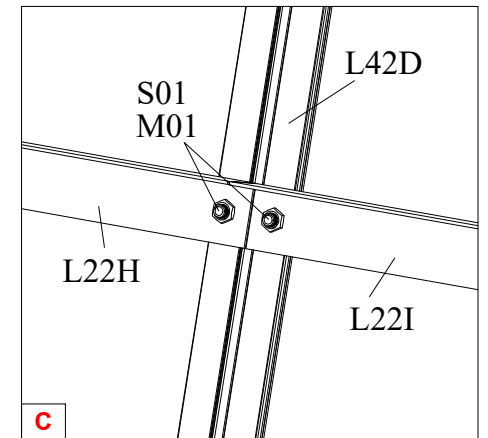
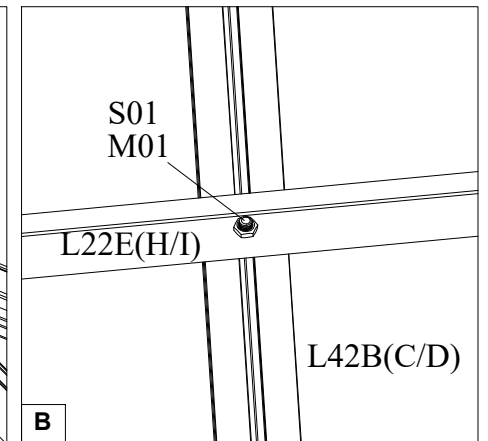
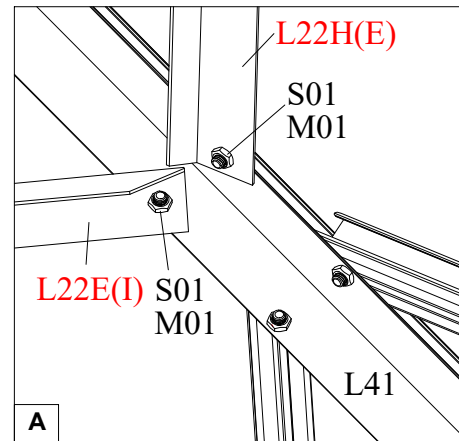
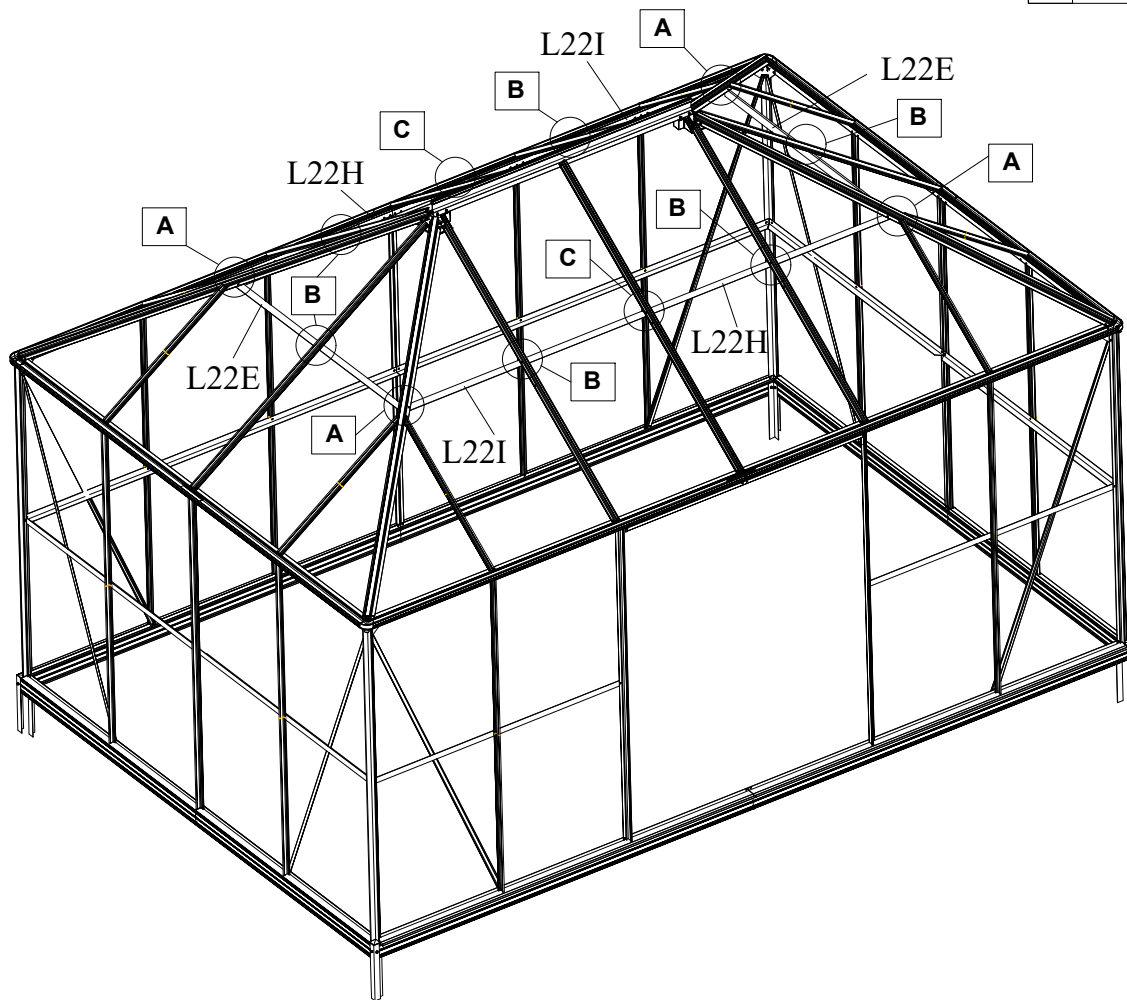
PART	#	mm	Qty.
	L42B	1612	2
	L42C	1612	4
	S01	M6*12	20
	M01	M6	20





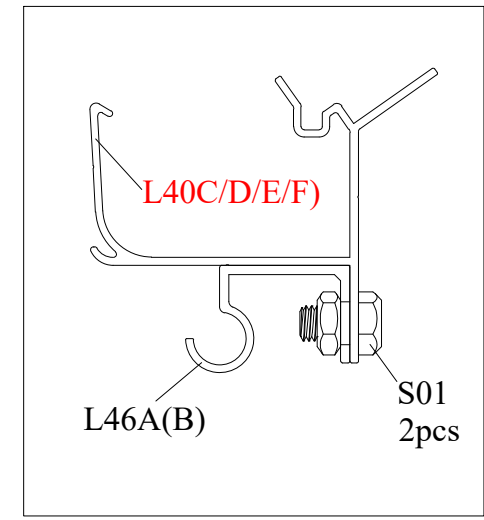
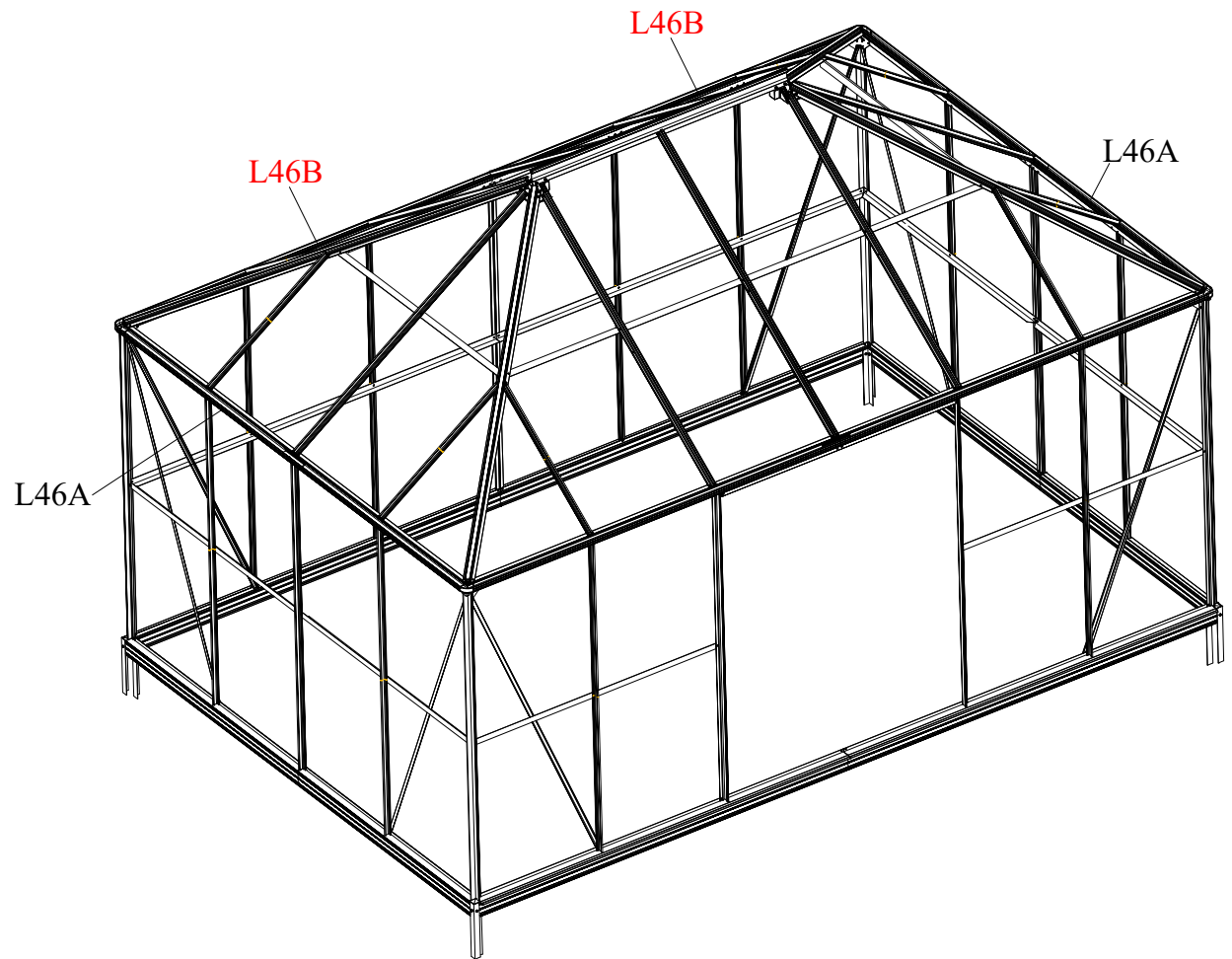
PART	#	mm	Qty.
	L08B	838	4
	L08C	838	4
	L42D	1680	2
	S01	M6*12	16
	M01	M6	16






PART	#	mm	Qty.
L	L22A	1392	1
	L22B	1392	1
	L22C	1376	2
	L22D	1376	2
	L22F	2066	1
	L22G	2066	1
	S01	M6*12	16
	M01	M6	26

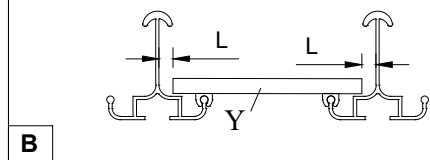
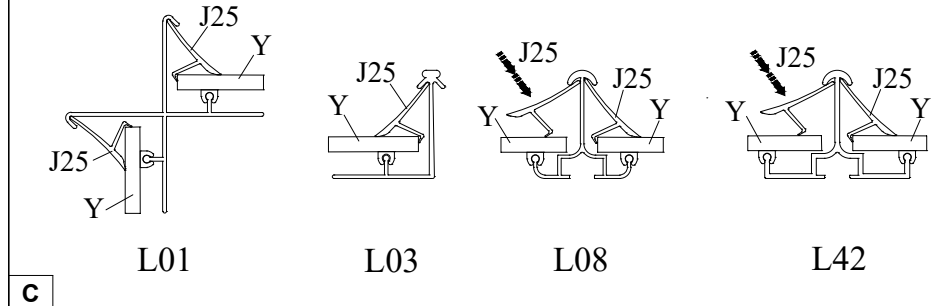
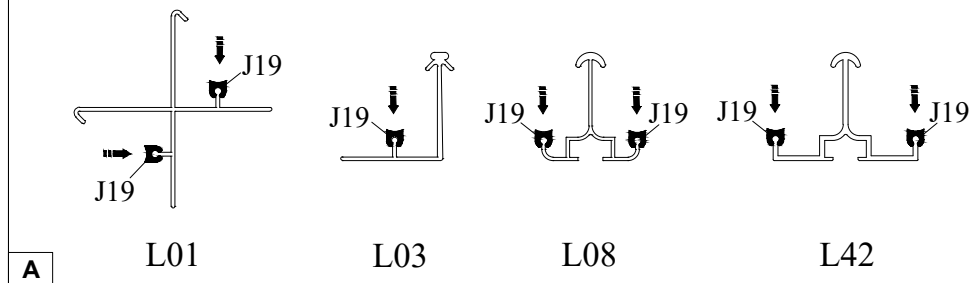


PART	#	mm	Qty.
└	L22E	1303	2
	L22H	1341	2
	L22I	1341	2
	S01	M6*12	18
	M01	M6	18

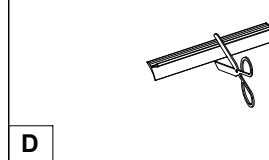


PART	#	mm	Qty.
	L46A	647	2
	L46B	660	2
	S01	M6*12	8
	M01	M6	8

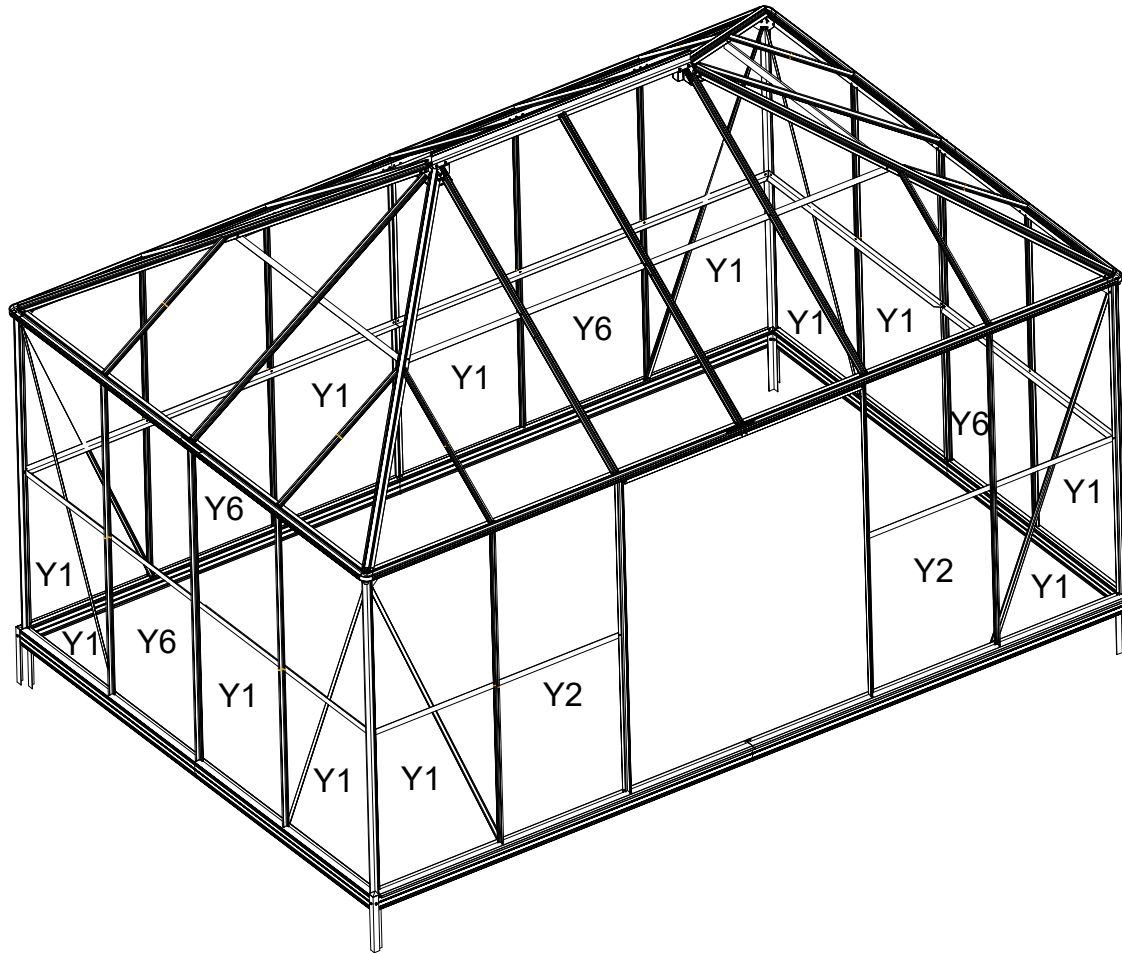
Rubber Assembly



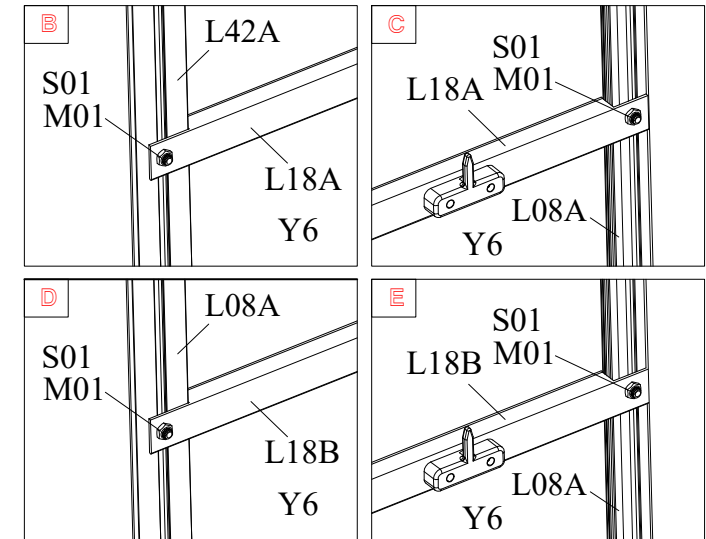
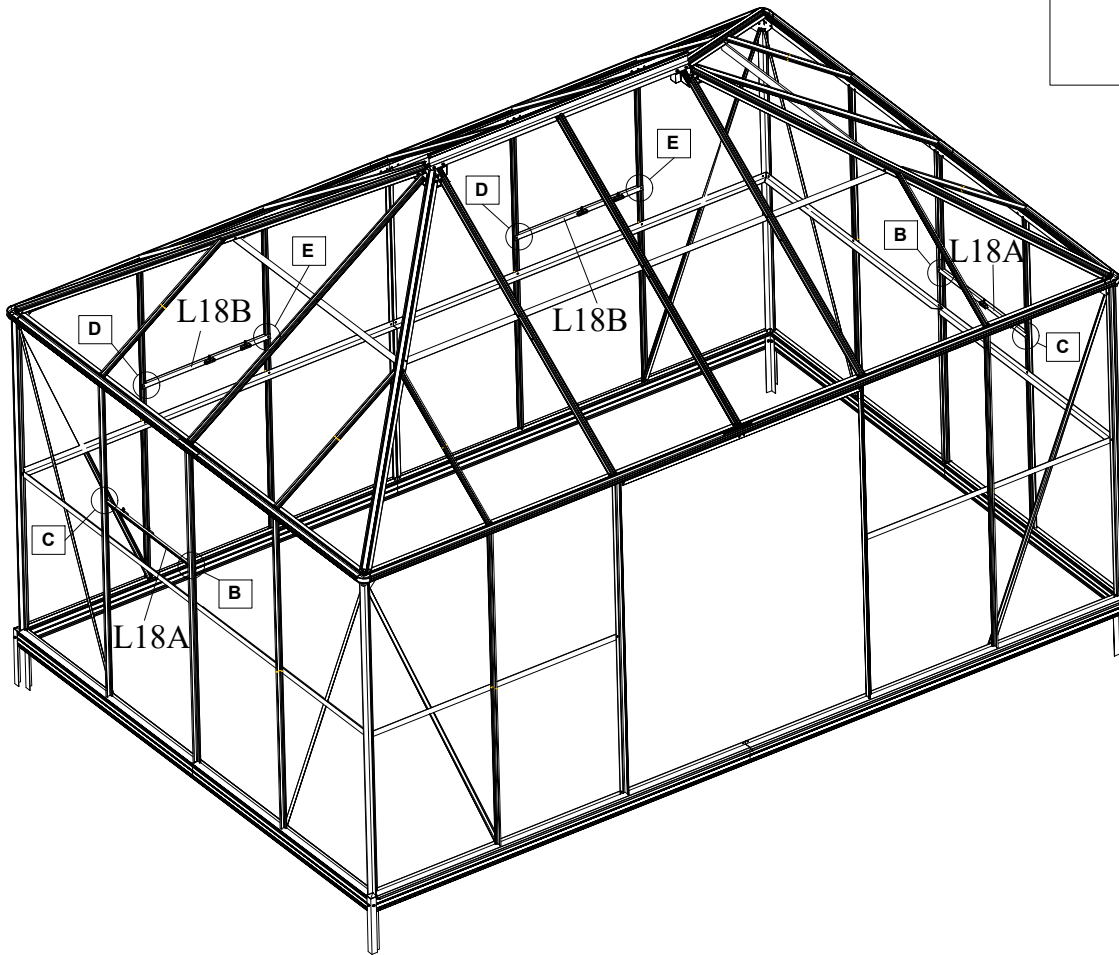
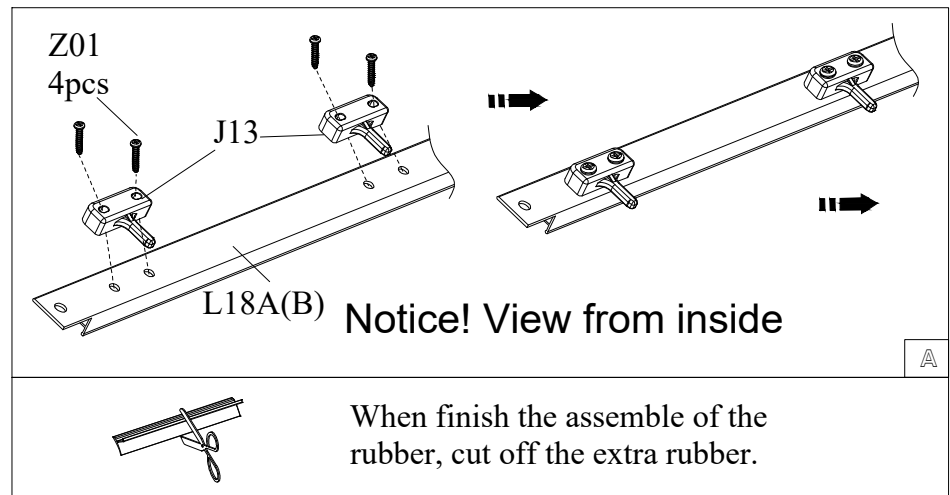
When installing the glass, pay attention to the same distance between the two ends of the glass and the aluminum profile



When finish the assemble of the rubber, cut off the extra rubber.

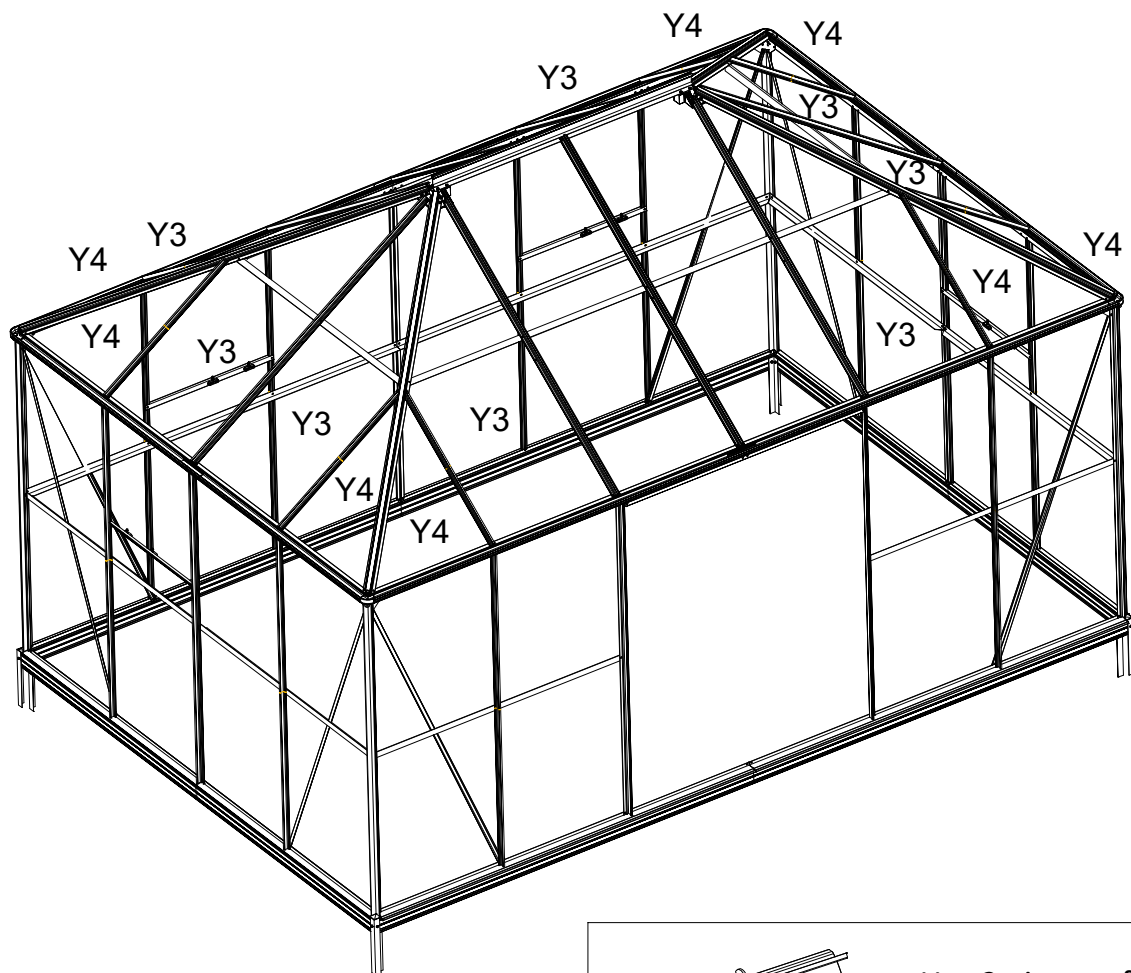


Part	#	mm	Qty
	Y1	681x1697	12
	Y2	700x1697	2
	Y6	681x1058	4
	J19		
	J25	1700	36

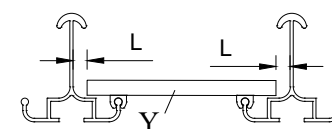
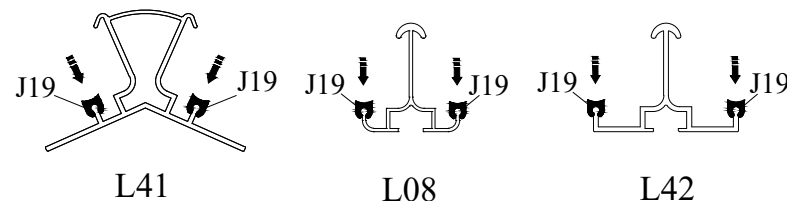


PART	#	mm	Qty.
	L18A	710	2
	L18B	710	2
	J13		8
	Z01	Ø4*16	16
	M01	M6	8

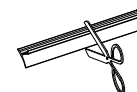
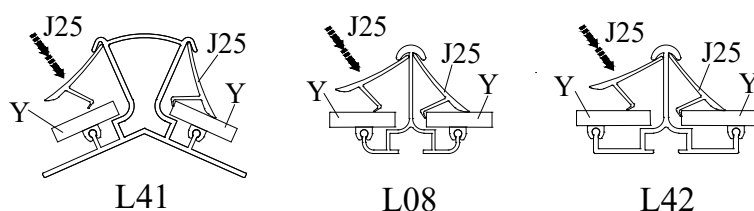
Roof glass installation Step 1



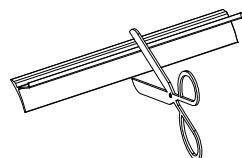
Rubber Assembly



When installing the glass, pay attention to the same distance between the two ends of the glass and the aluminum profile

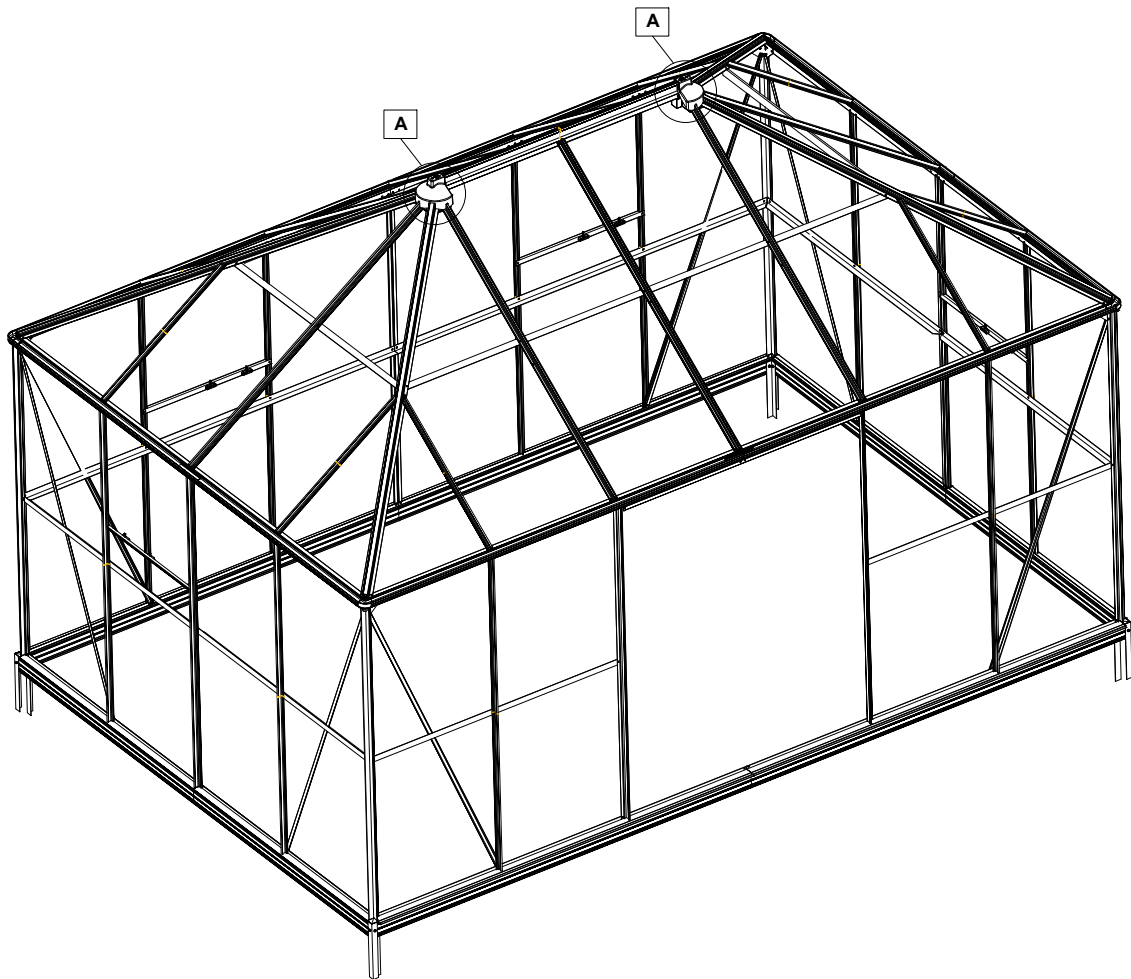
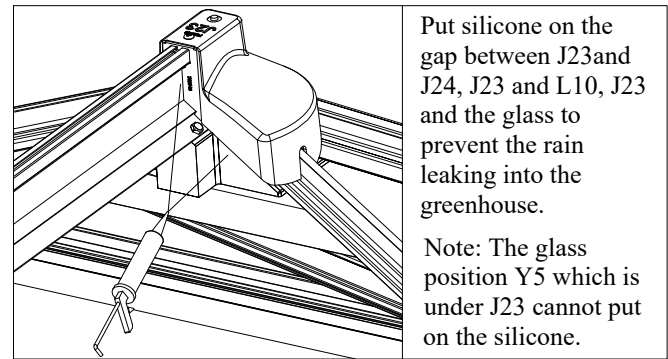
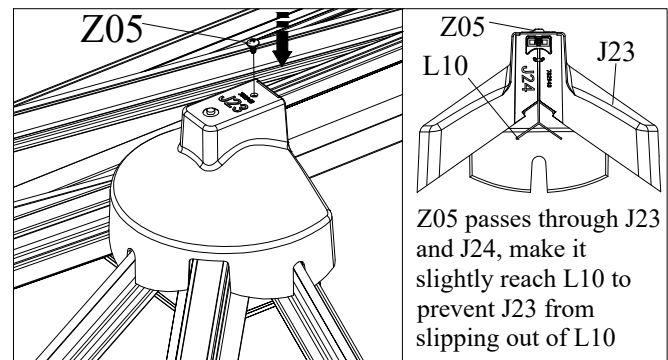
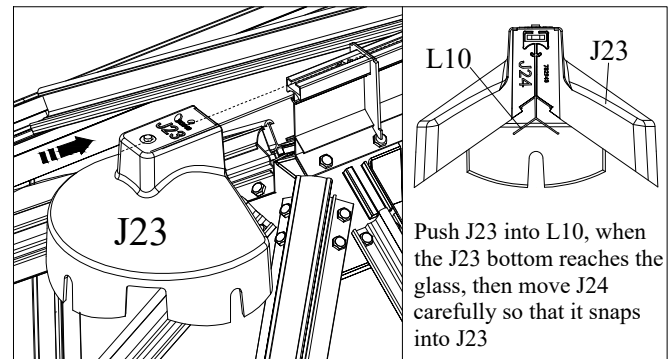
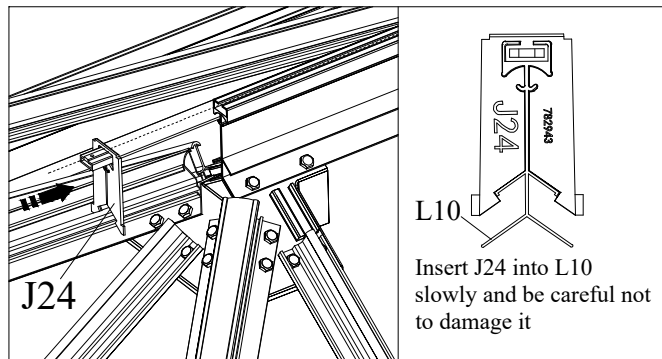





When finish the assemble of the rubber, cut off the extra rubber.



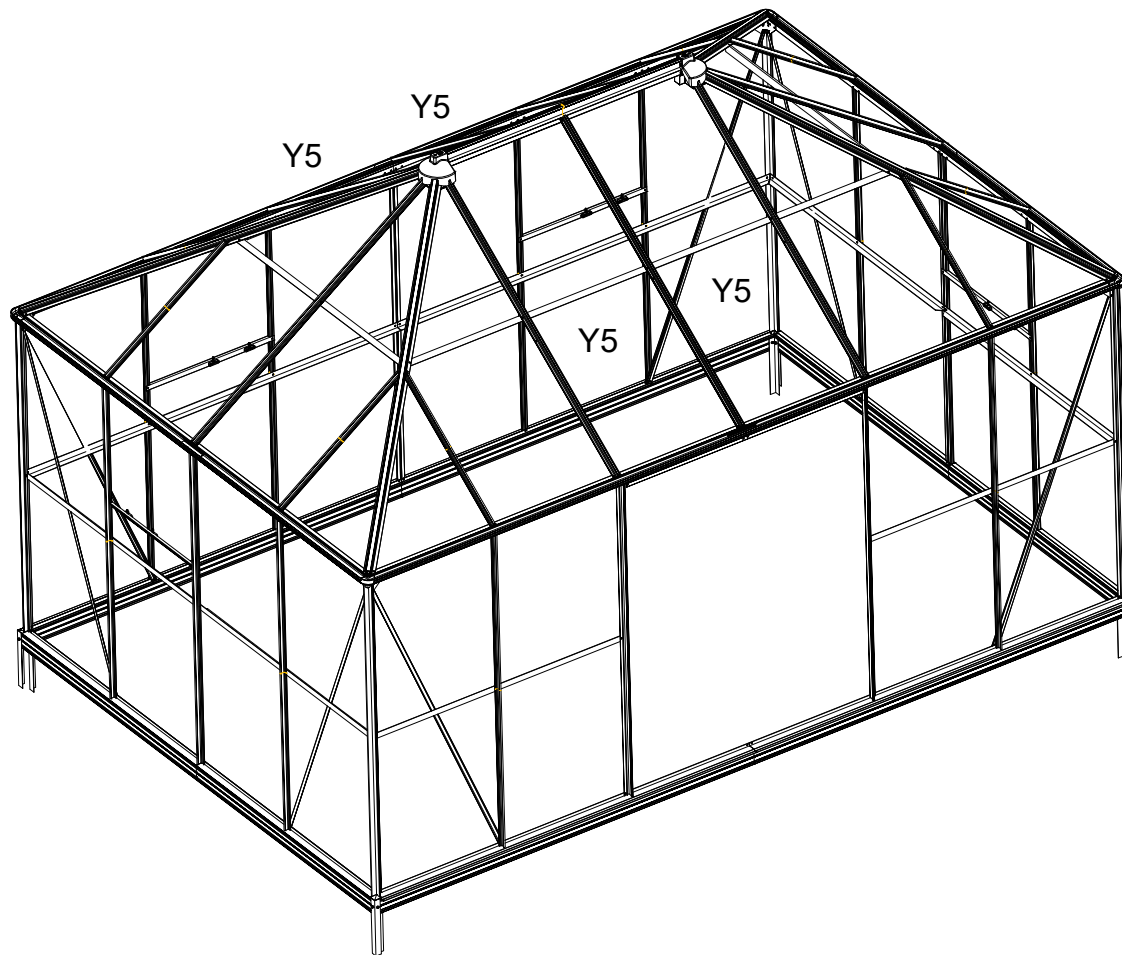
Use 2 pieces of J25 rubber to form a length of 2123mm, and press it on the L41

Part	#	mm	Qty
	Y3	681x1651	8
	Y4	675x835	8
	J19		
	J25	1700	36

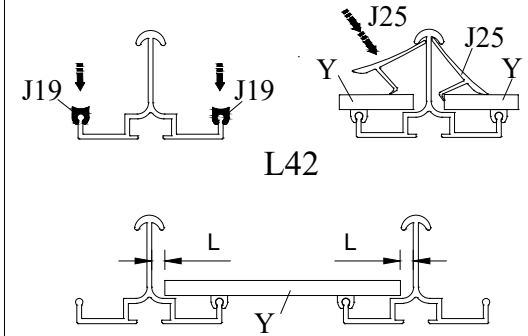


PART	#	mm	Qty.
	Z05	Ø4*12	2
	J23	185*134*123	2
	J24	69*42*20	2

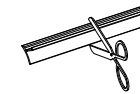
Roof glass installation Step 2



Rubber Assembly



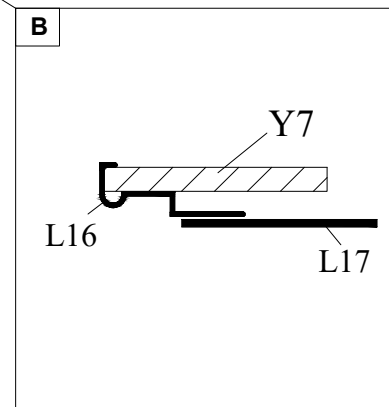
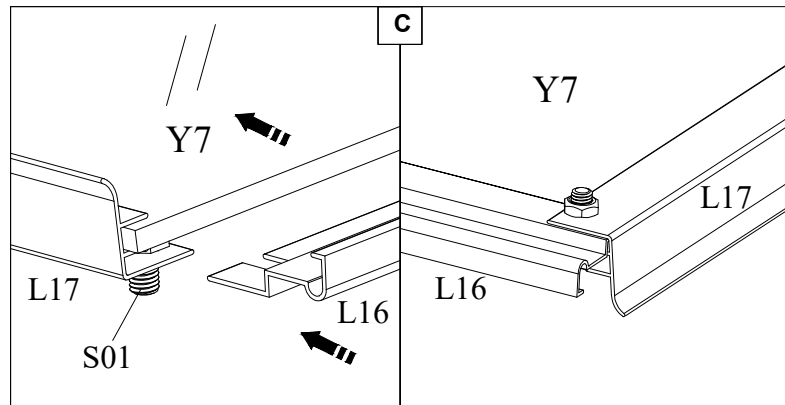
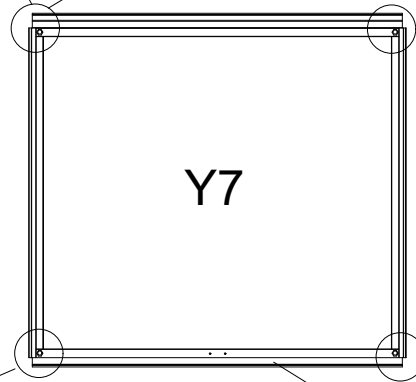
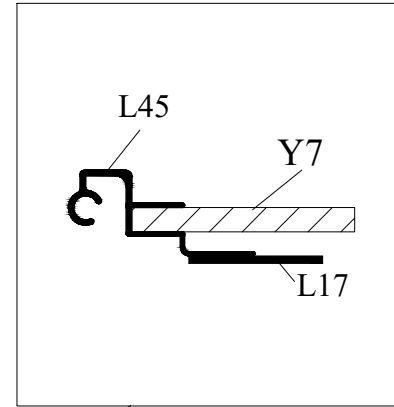
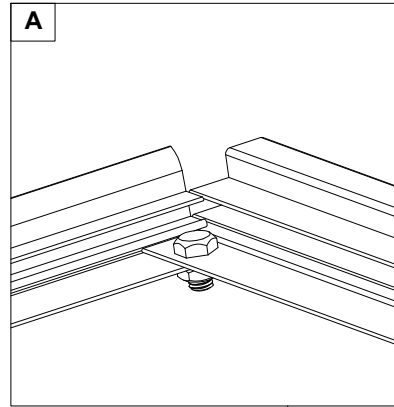
When installing the glass, pay attention to the same distance between the two ends of the glass and the aluminum profile









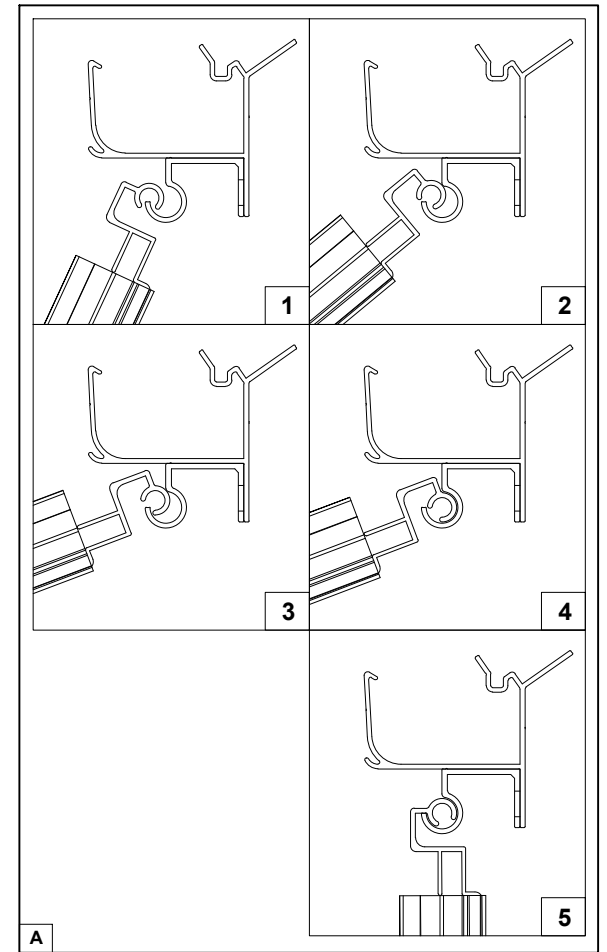
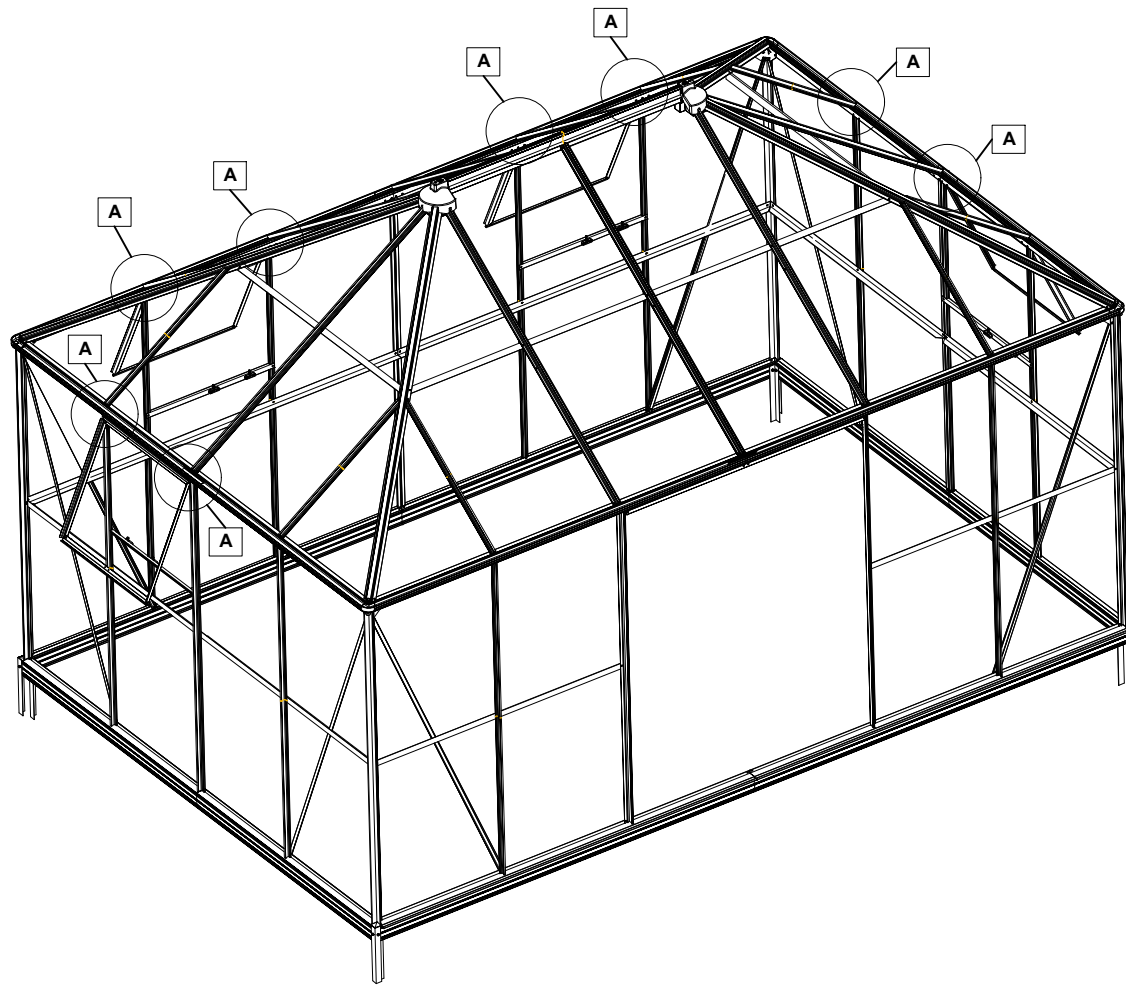
When finish the assemble of the rubber, cut off the extra rubber.

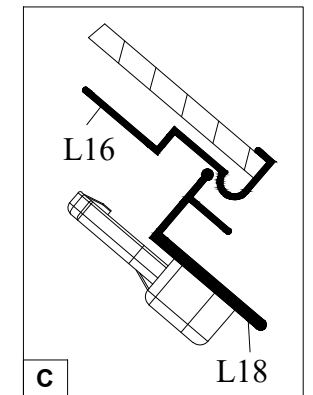
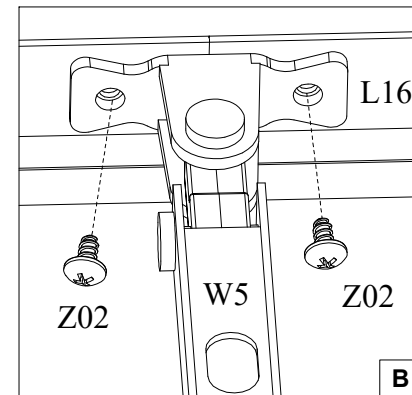
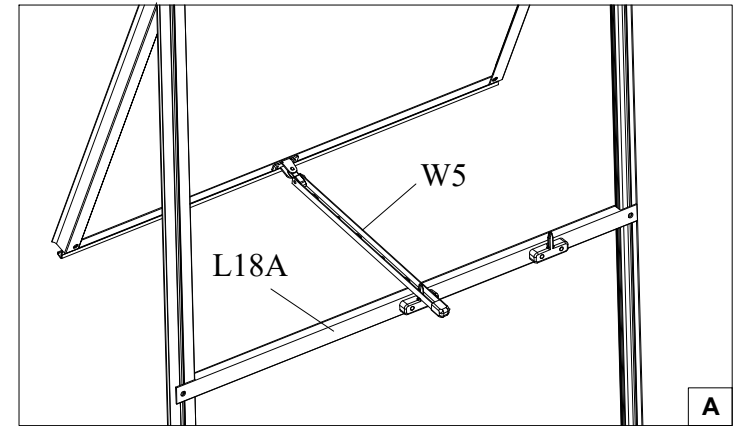
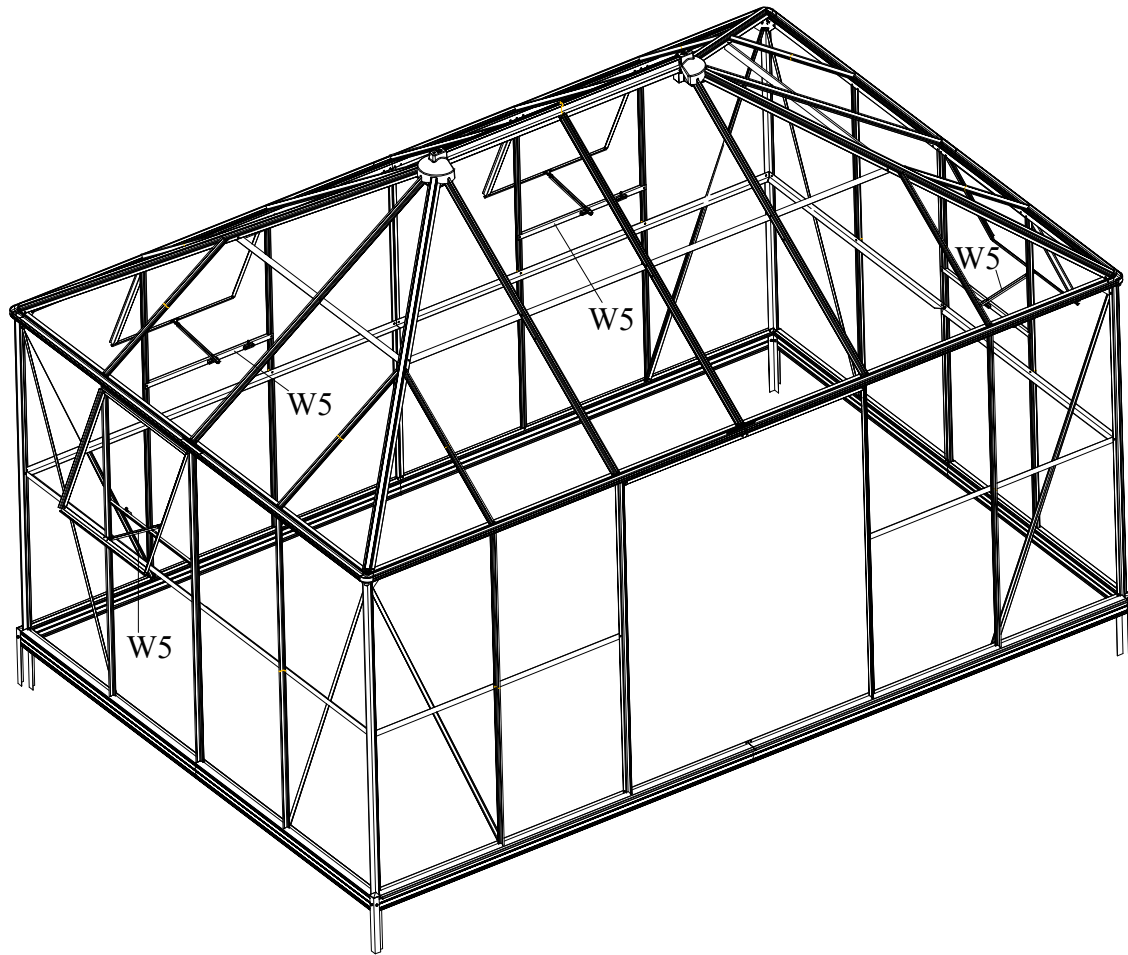
When installing Y5, be careful not to damage J23



Part	#	mm	Qty
	Y5	681x1691	4
	J19		
	J25	1700	8

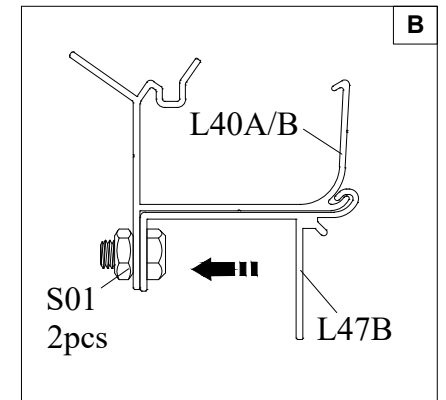
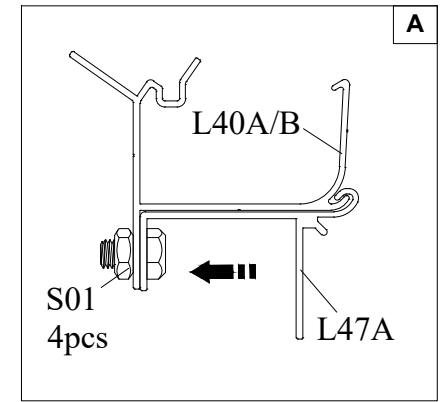
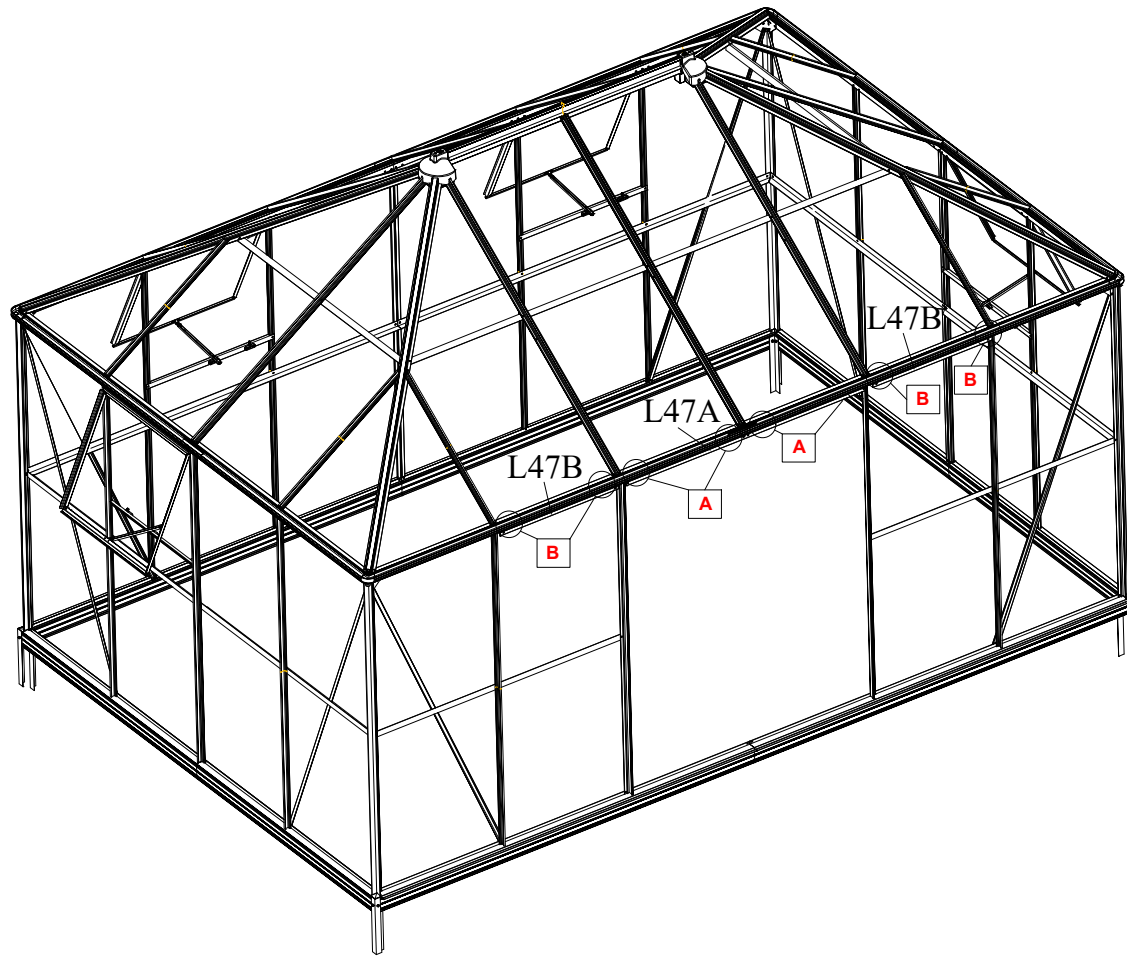





PART	#	mm	Qty.
	L16	671	4
	L17	600	8
	L45	671	4
	S01	M6*12	16
	M01	M6	16
	Y7	669*626	4

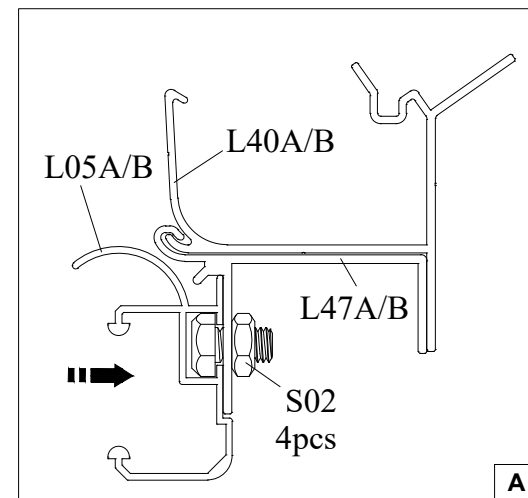
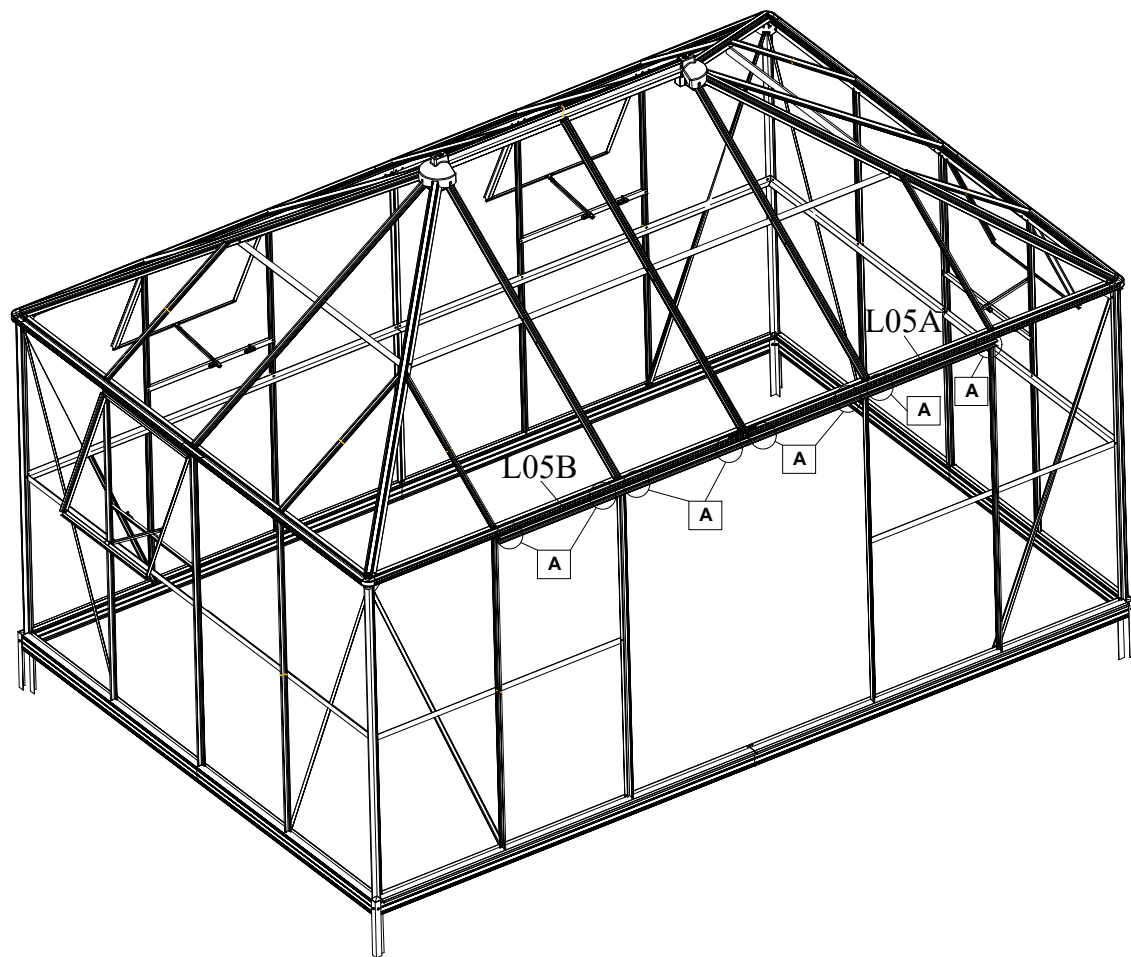


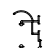




PART	#	mm	Qty.
	W05		4
	Z01	Ø4*8	8

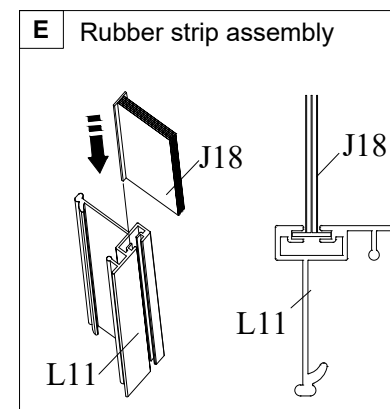
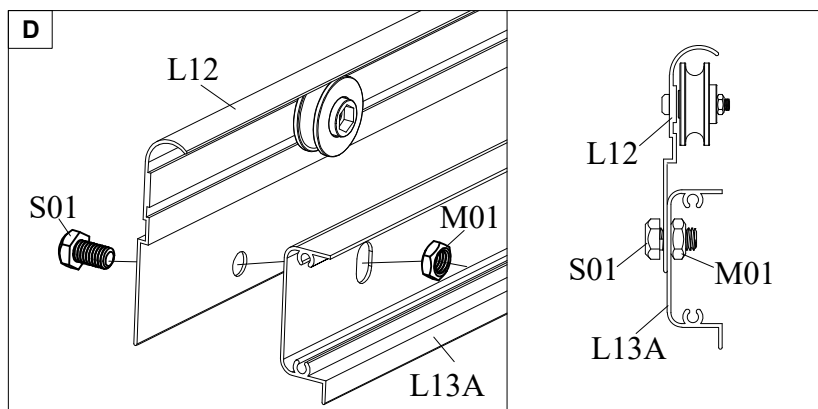
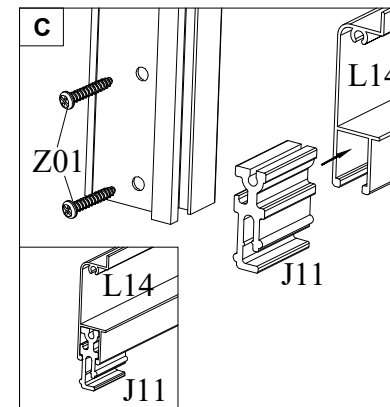
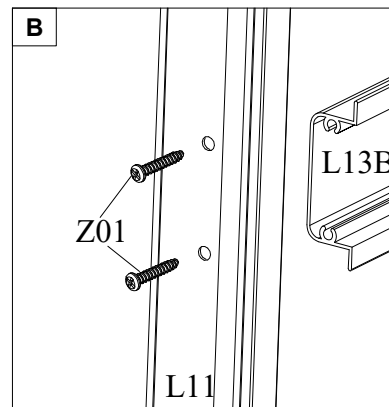
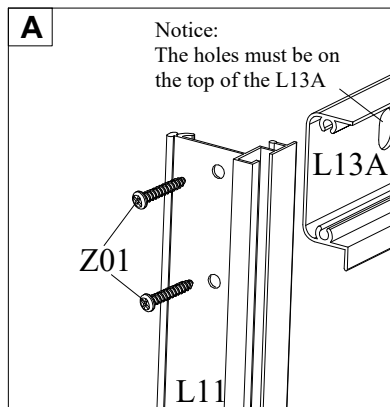
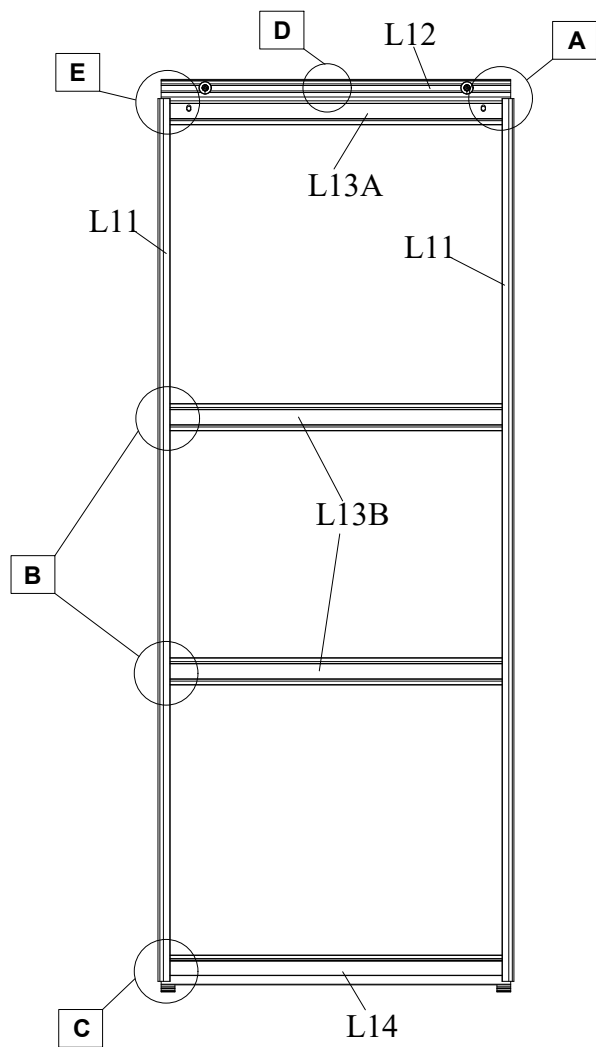


PART	#	mm	Qty.
	L47A	1325	1
	L47B	600	2
	S01	M6*12	8
	M01	M6	8



PART	#	mm	Qty.
	L05A	1380	1
	L05B	1380	1
	S02	M6*16	8
	M01	M6	8

Right Door Assembly

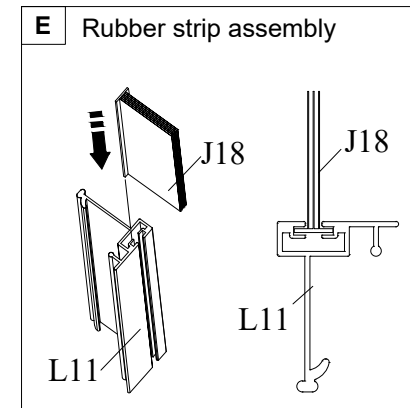
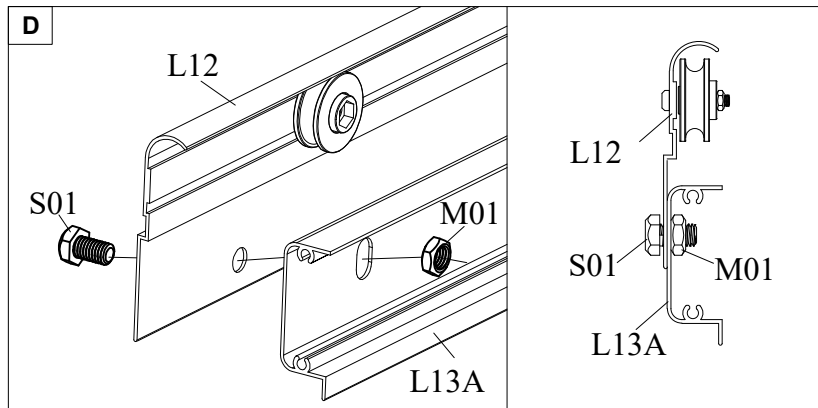
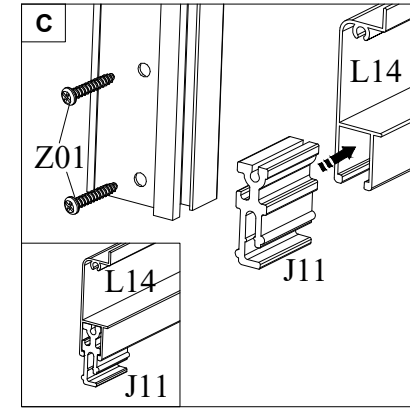
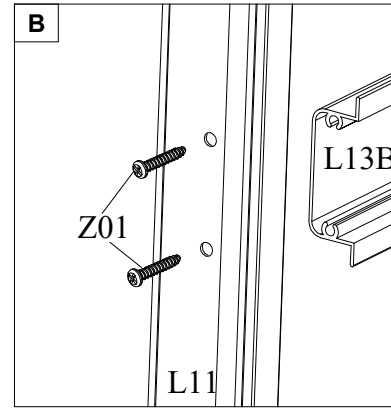
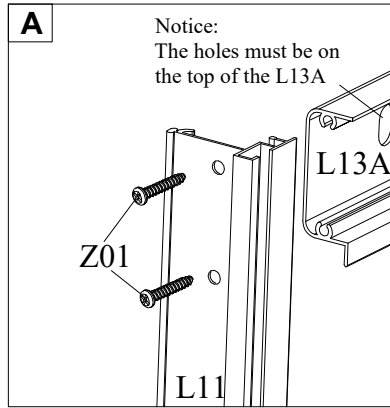
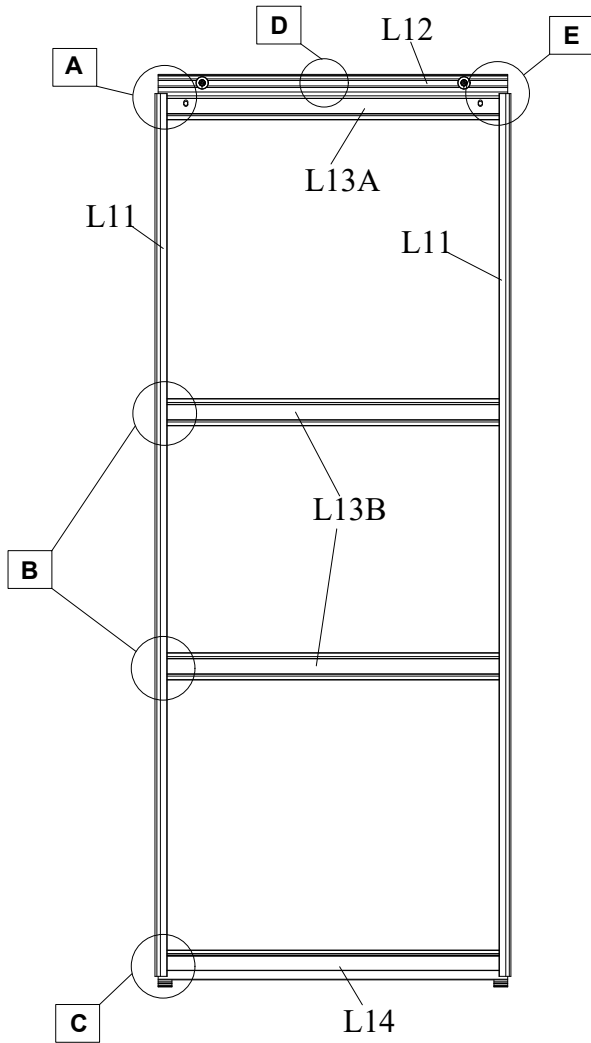


PART	#	mm	Qty.
	S02	M6*16	2
	M01	M6	2
	Z02	Ø4*16	16

PART	#	mm	Qty.
	J11		2
	J18	1700	2

PART	#	mm	Qty.
	L11	1652	2
	L12	674	1
	L13A	674	1
	L13B	674	2

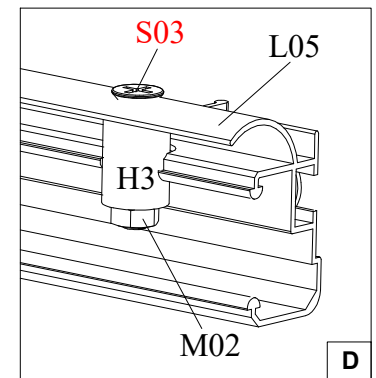
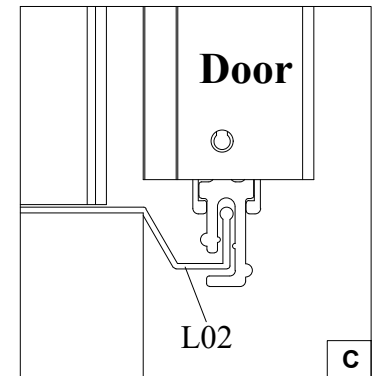
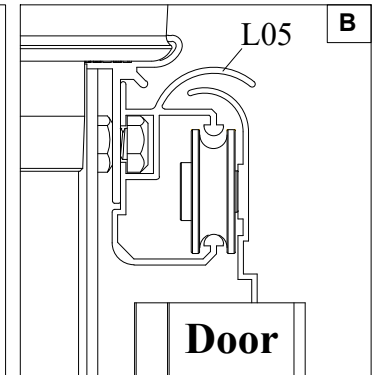
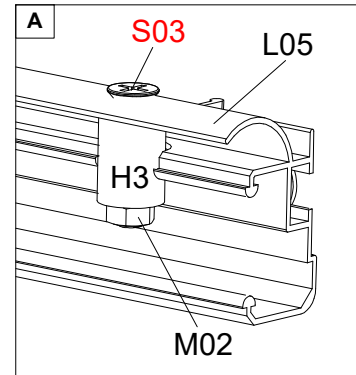
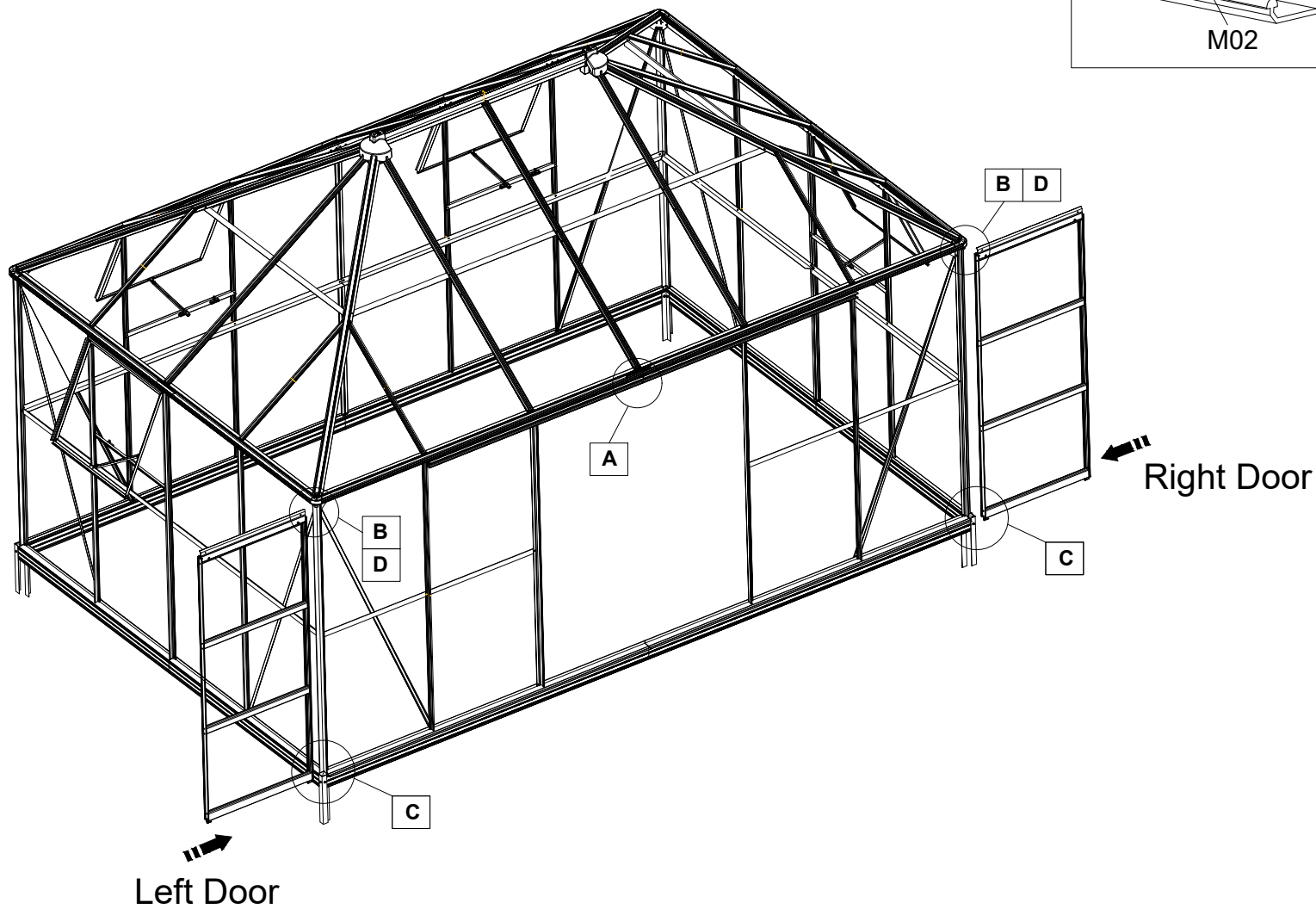
Left Door Assembly






PART	#	mm	Qty.
	S02	M6*16	2
	M01	M6	2
	Z02	Ø4*16	16

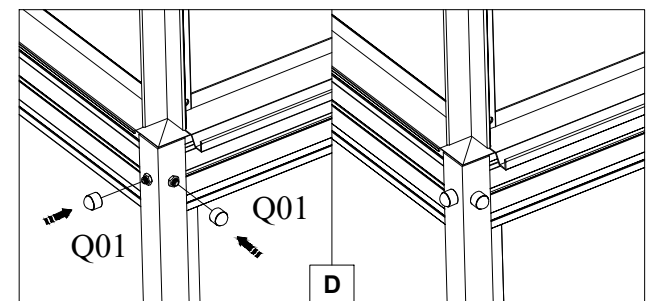
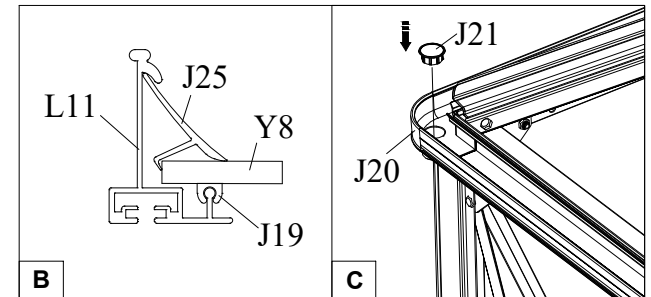
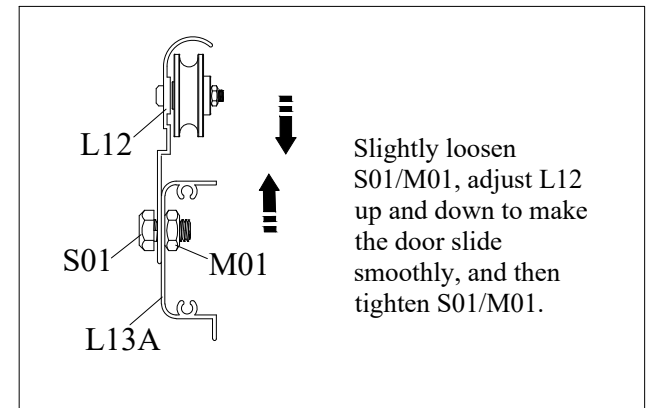
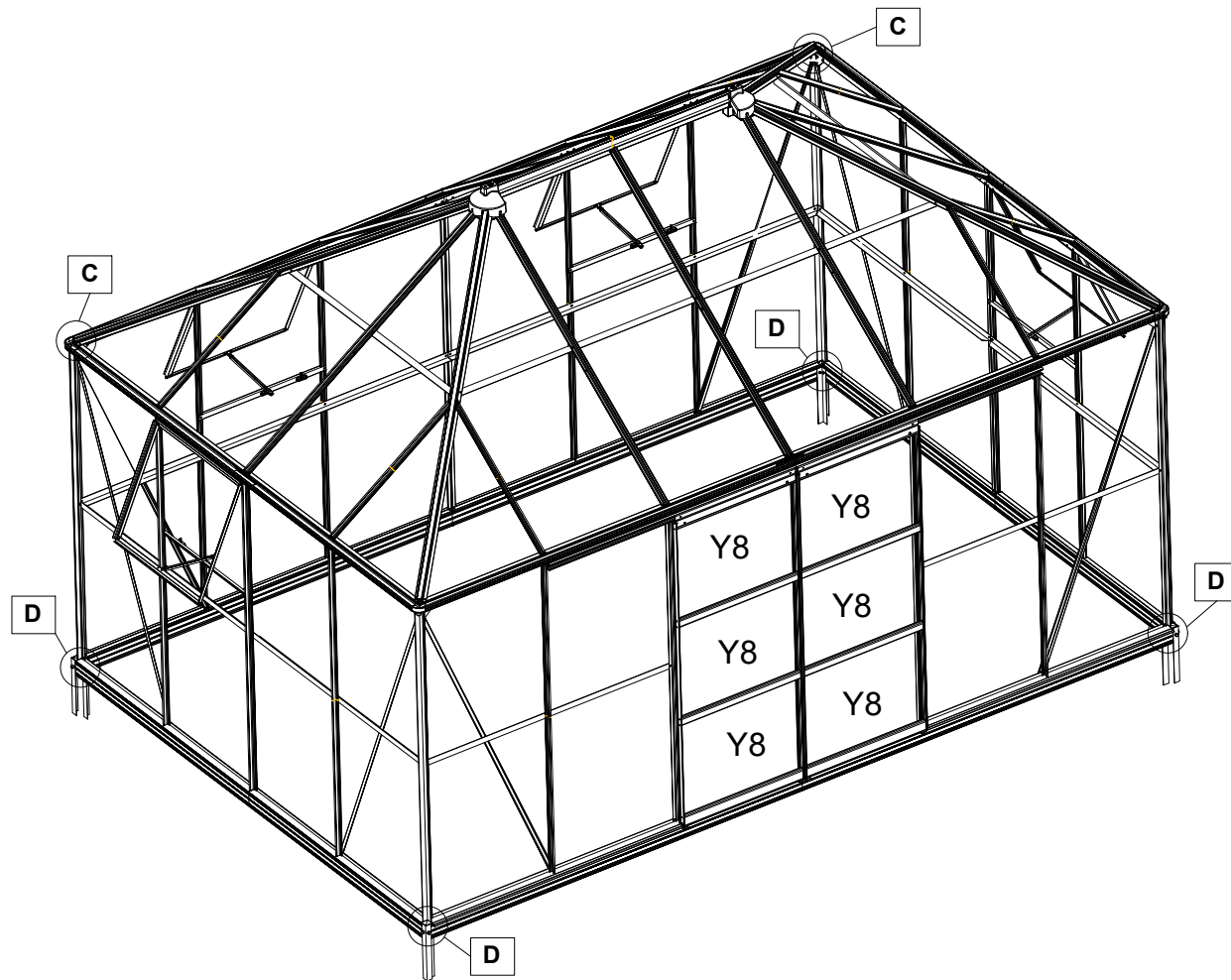
PART	#	mm	Qty.
	L14	674	1
	J11		2
	J18	1700	2

PART	#	mm	Qty.
	L11	1652	2
	L12	674	1
	L13A	674	1
	L13B	674	2



PART	#	mm	Qty.
	S03	M5*25	3
	M02	M4	3
	H3	Ø12*Ø6*18	3

Door glass installation



Part	#	mm	Qty
	Y8	665x495	6
	J19		
	J25	1700	4

PART	#	mm	Qty.
	J21	Ø24*10	2
	Q01		8

DANCOVER[®]

.com

Contact information

Austria



Belgium



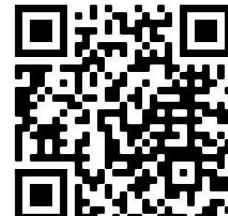
Croatia



Denmark



Estonia



Finland



France



Germany



Ireland



Italy



Latvia



Lithuania



Nederland



Norway



Poland



Portugal



Spain



Sweden



Switzerland



UK



For more information please visit: www.dancovershop.com