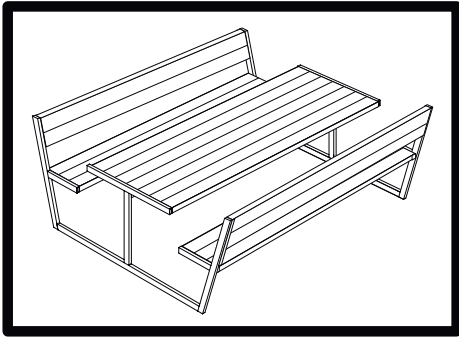


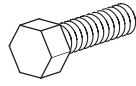
DANCOVER[®]

.com

Manual
for
Picnic table
w/backrest,
2.05 x 1.8 m

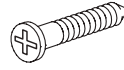


A



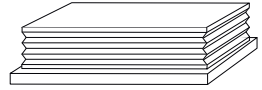
x4

B

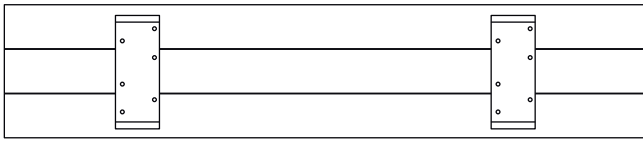


x68

C



x16



x2



x1



x4

