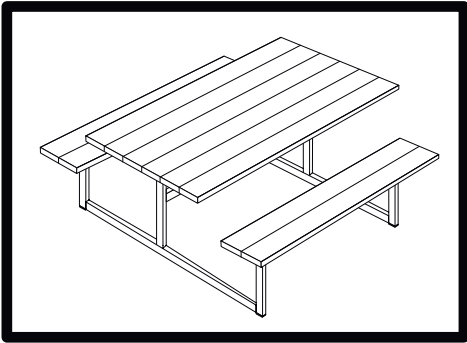


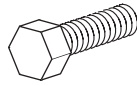
DANCOVER[®]

.com

Manual
for
Picnic table,
1.4 x 1.75 m

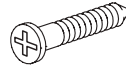


A



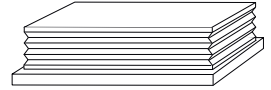
x4

B



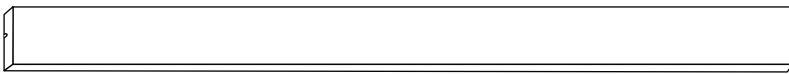
x100

C



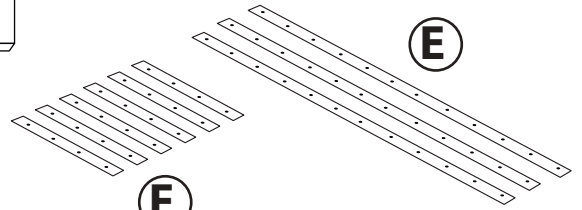
x4

D

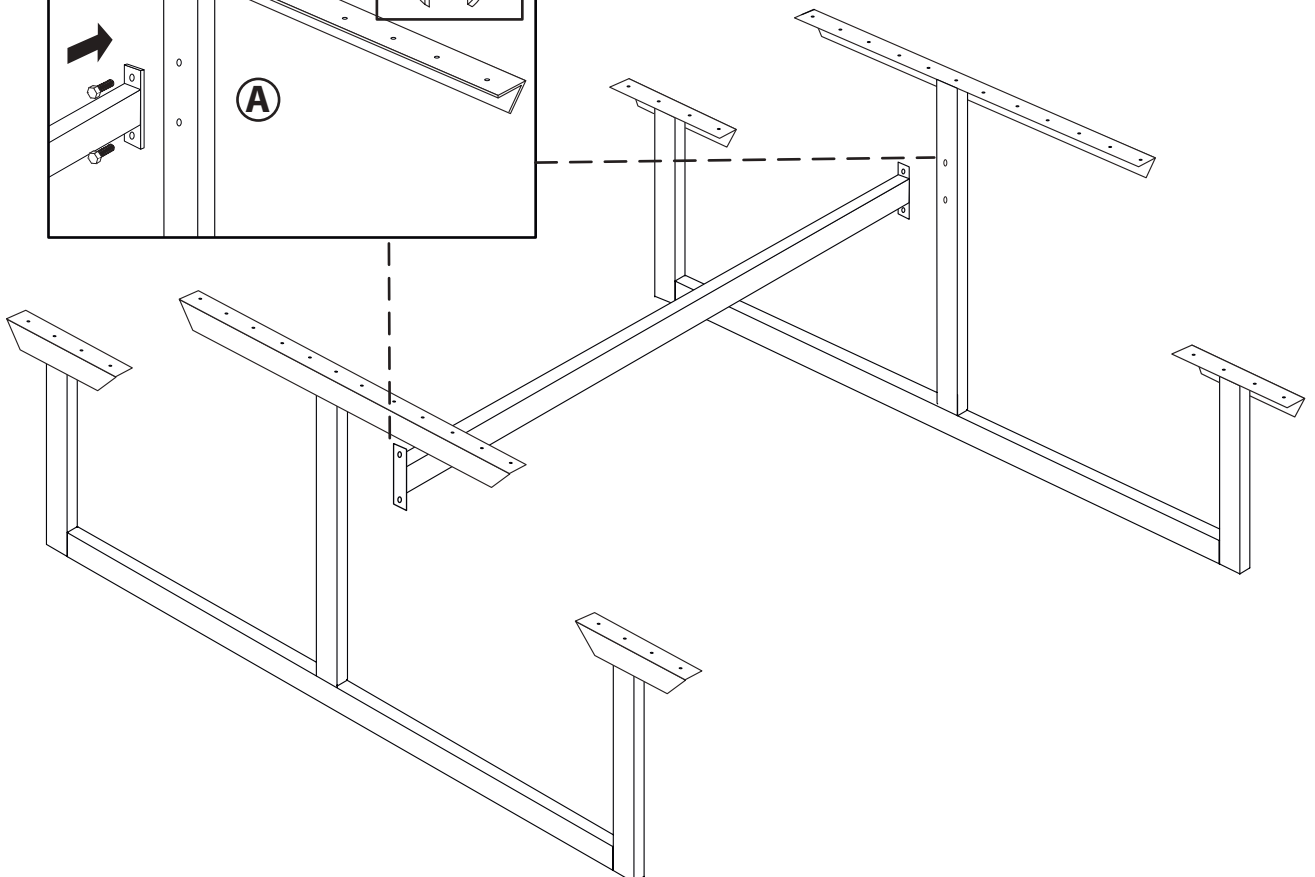
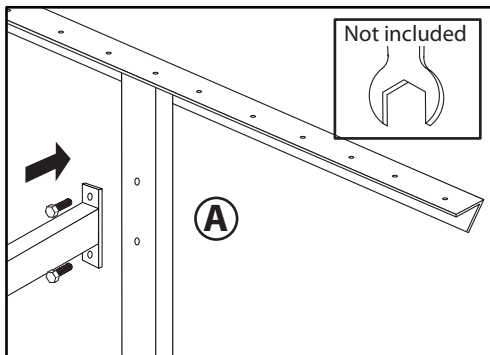


x10

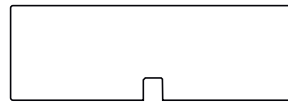
E



F



UPSIDE



DOWNSIDE

