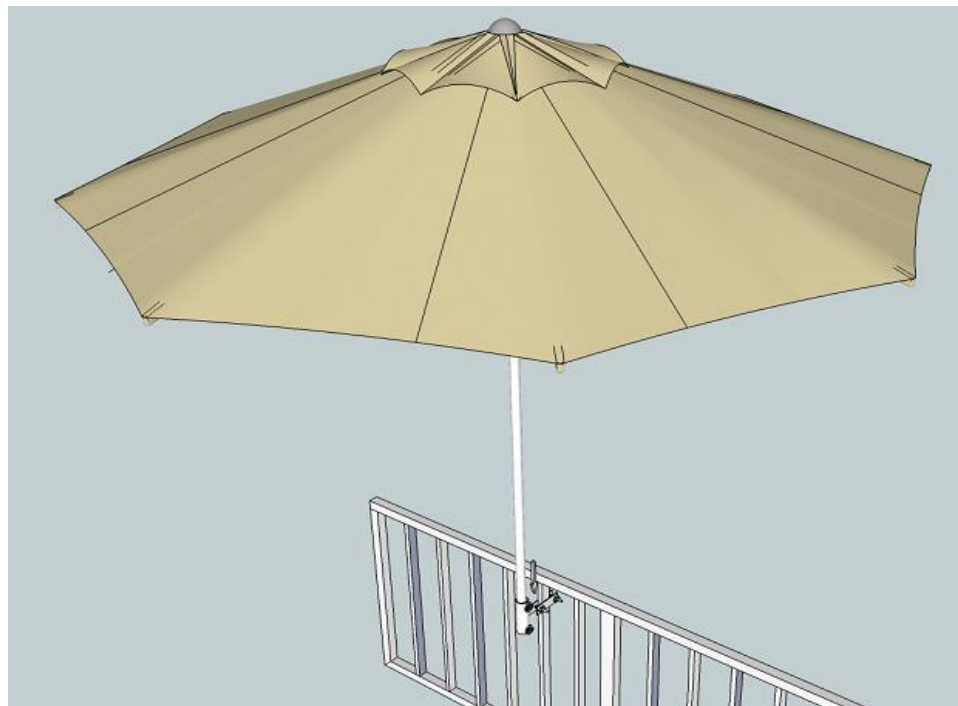
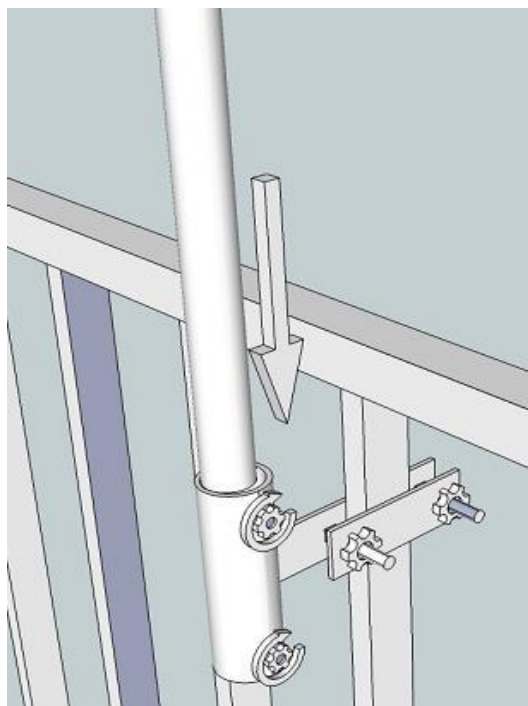
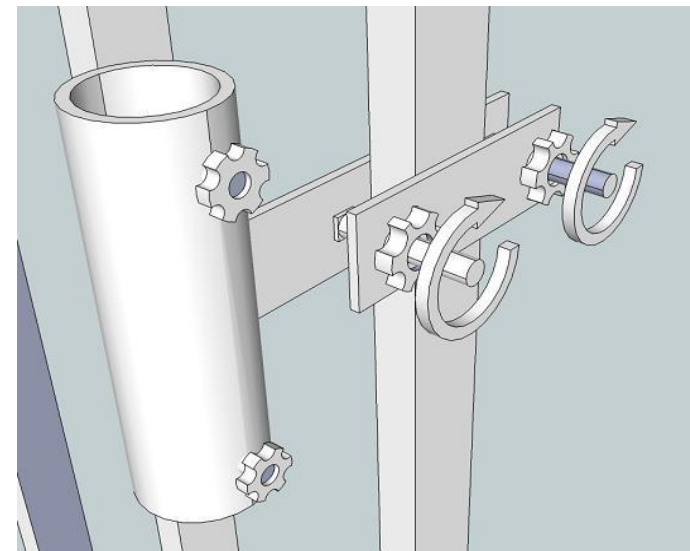
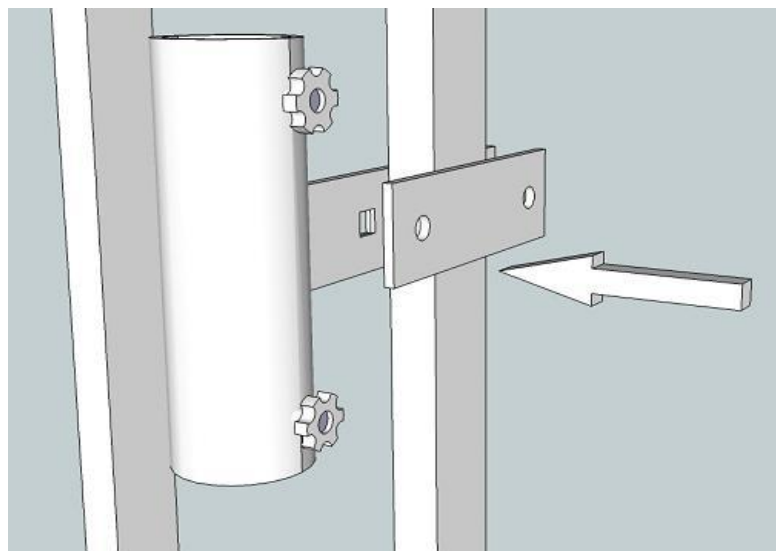
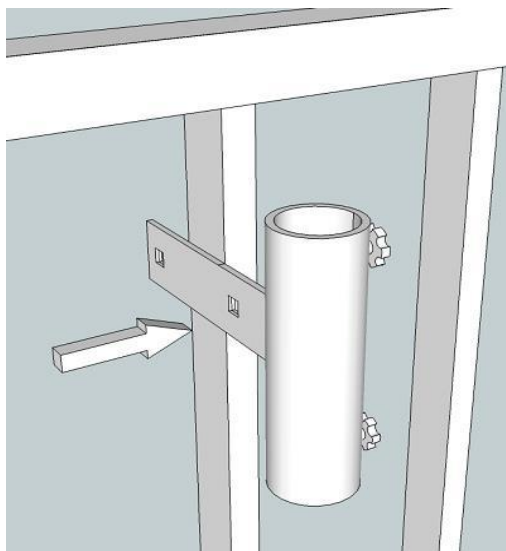


DANCOVER[®] The logo consists of a red vertical rectangle containing the text ".com" in white, positioned to the right of the word "DANCOVER".

Manual
for
Parasol Balcony Grid
18-38mm

BALCONY FENCE PARASOLFOOT – USER INSTRUCTION



DANCOVER[®]

.com

Contact information

Austria



Belgium



Croatia



Denmark



Estonia



Finland



France



Germany



Ireland



Italy



Latvia



Lithuania



Nederland



Norway



Poland



Portugal



Spain



Sweden



Switzerland



UK



For more information please visit: www.dancovershop.com